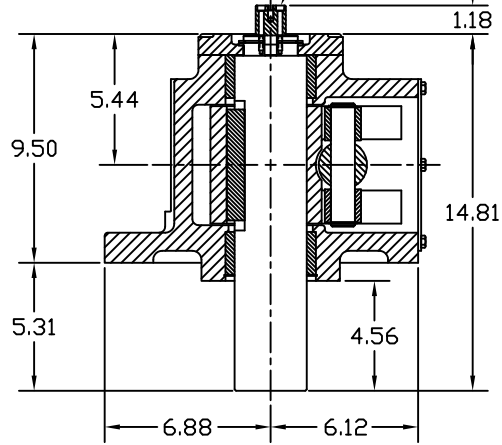
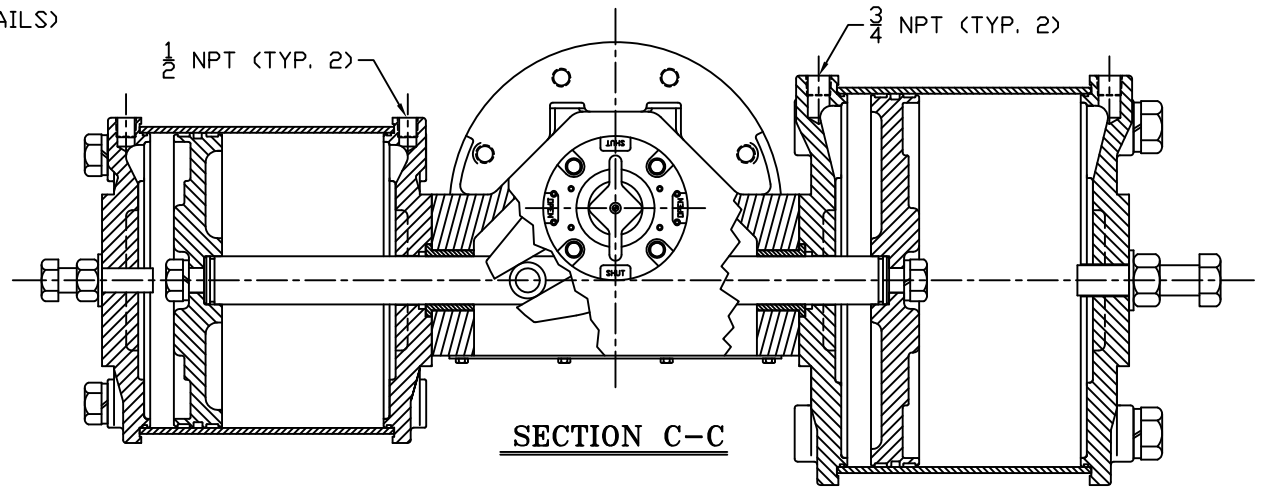


NAMUR POINTER ADAPTER
(SEE DWG. S01-02-01 FOR DETAILS)

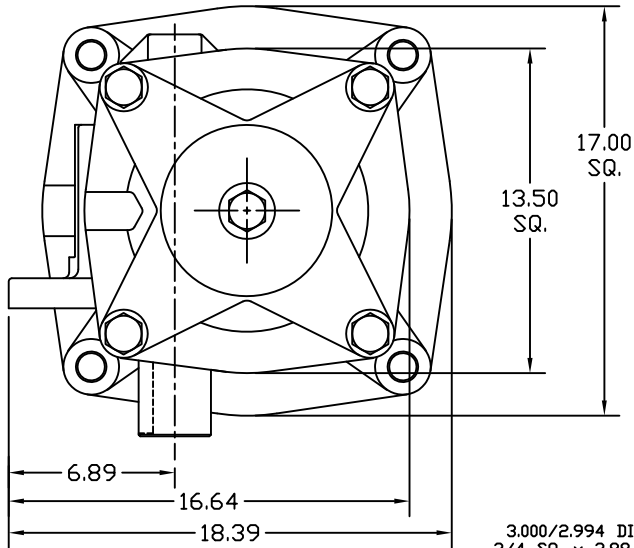


SECTION A-A

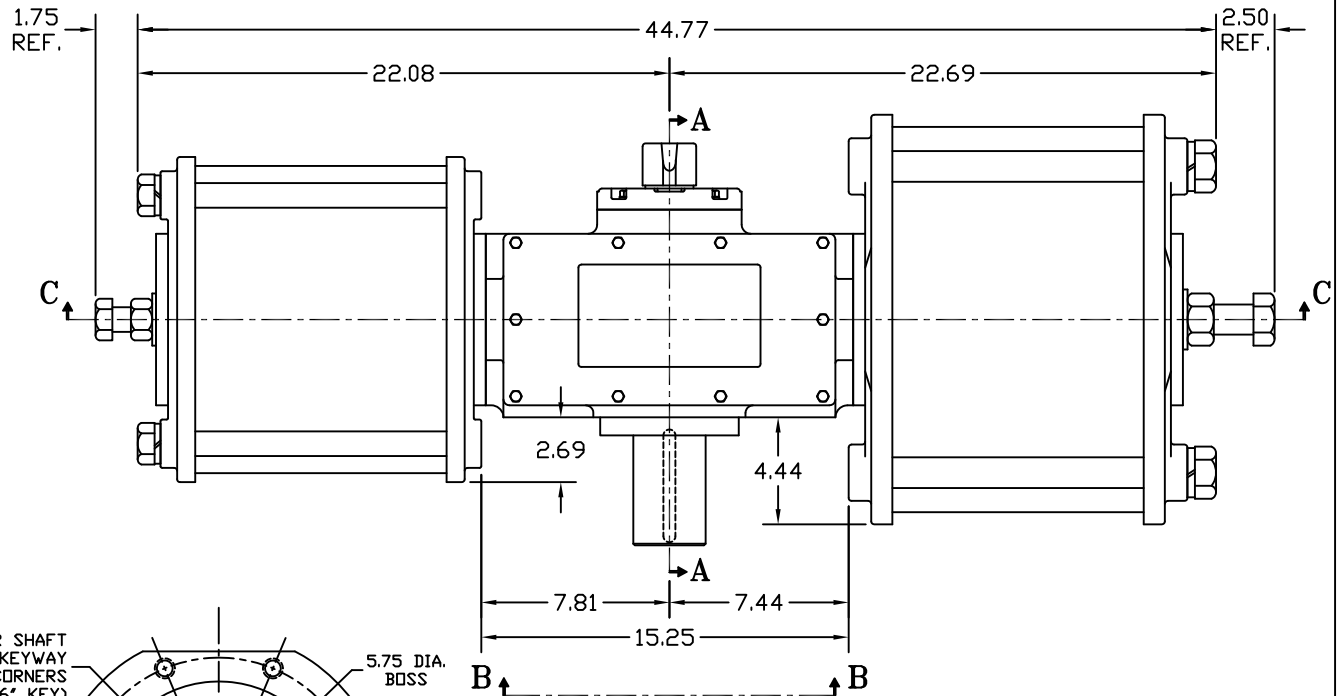
YOKE SHOWN AT MID-STROKE
POINTER OMITTED FOR CLARITY



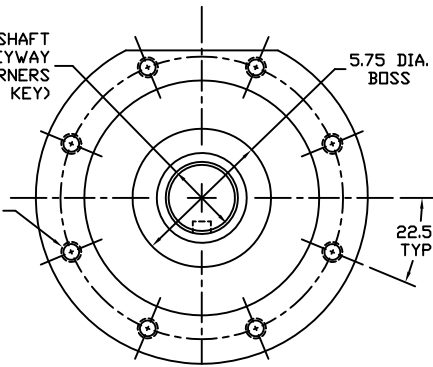
SECTION C-C



3.000/2.994 DIAMETER SHAFT
3/4 SQ. x 3.88 LONG KEYWAY
W/ .031 RADIUS INSIDE KEYWAY CORNERS
(TO BE USED W/ 3/4" x 3 13/16" KEY)



3/4-10 UNC TAP x 1.18 DEEP
(8) PLACES AS SHOWN ON
11.73 DIAMETER BOLT CIRCLE



View b-b

ISO F30 MOUNTING PATTERN

MORIN Birmingham, AL			
TITLE: MODEL C-945UC-D000 ACTUATOR			
DRAWN BY: CAW	DATE: 08/14/06	CHECKER:	DATE:
APPROVAL:	DATE:	REVISION: C	DRAWING NO.:
SCALE: HALF SHEET	DWG. SIZE: E	S30B558C	
1 of 1			

REV	DESCRIPTION	BY	CHK	APR	DATE
C	UPDATED VIEW B-B	CAW			05/02/13
B	UPDATED SECTION A-A & VIEW B-B	CAW			02/20/10
	CHANGE				