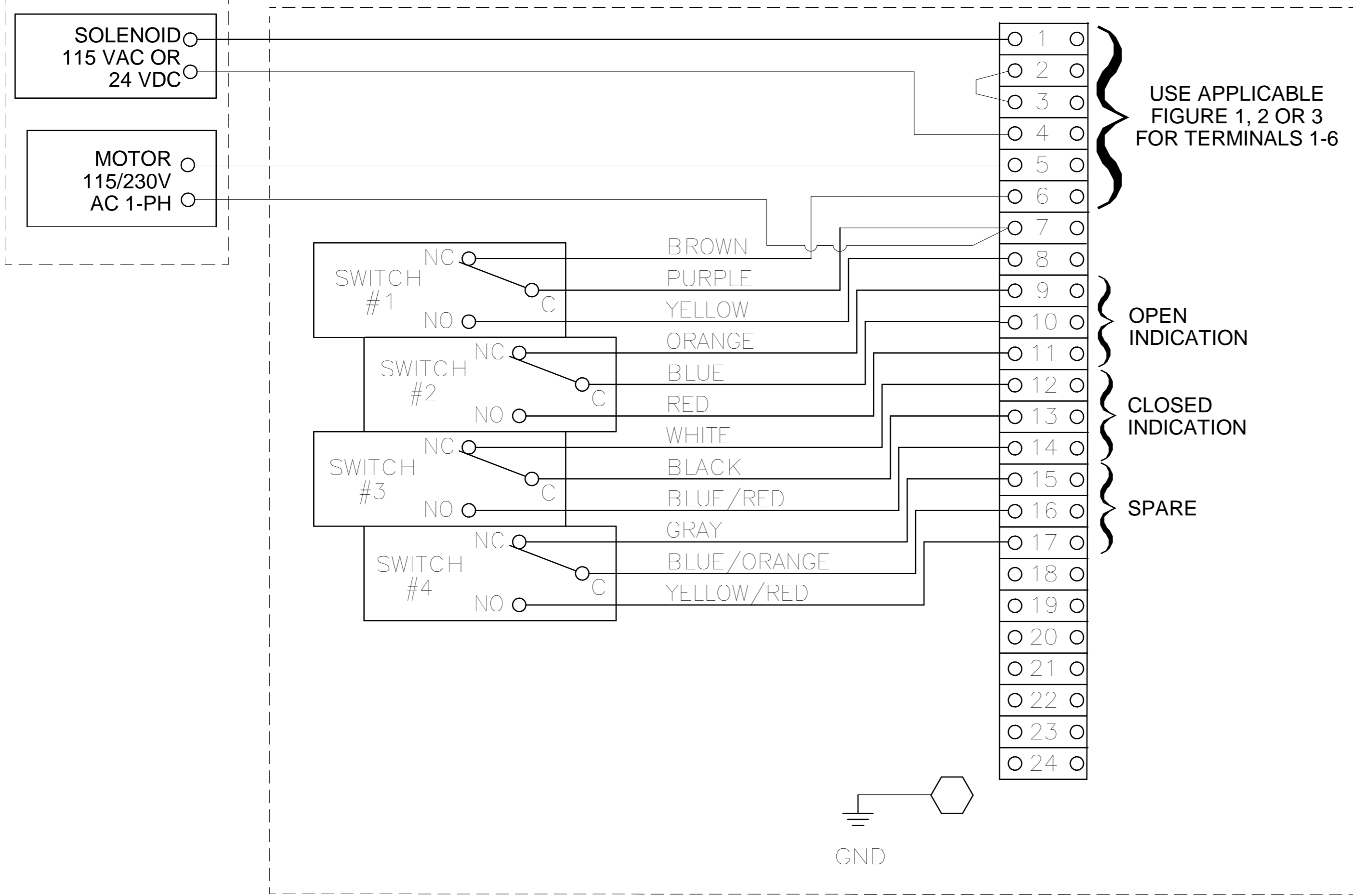


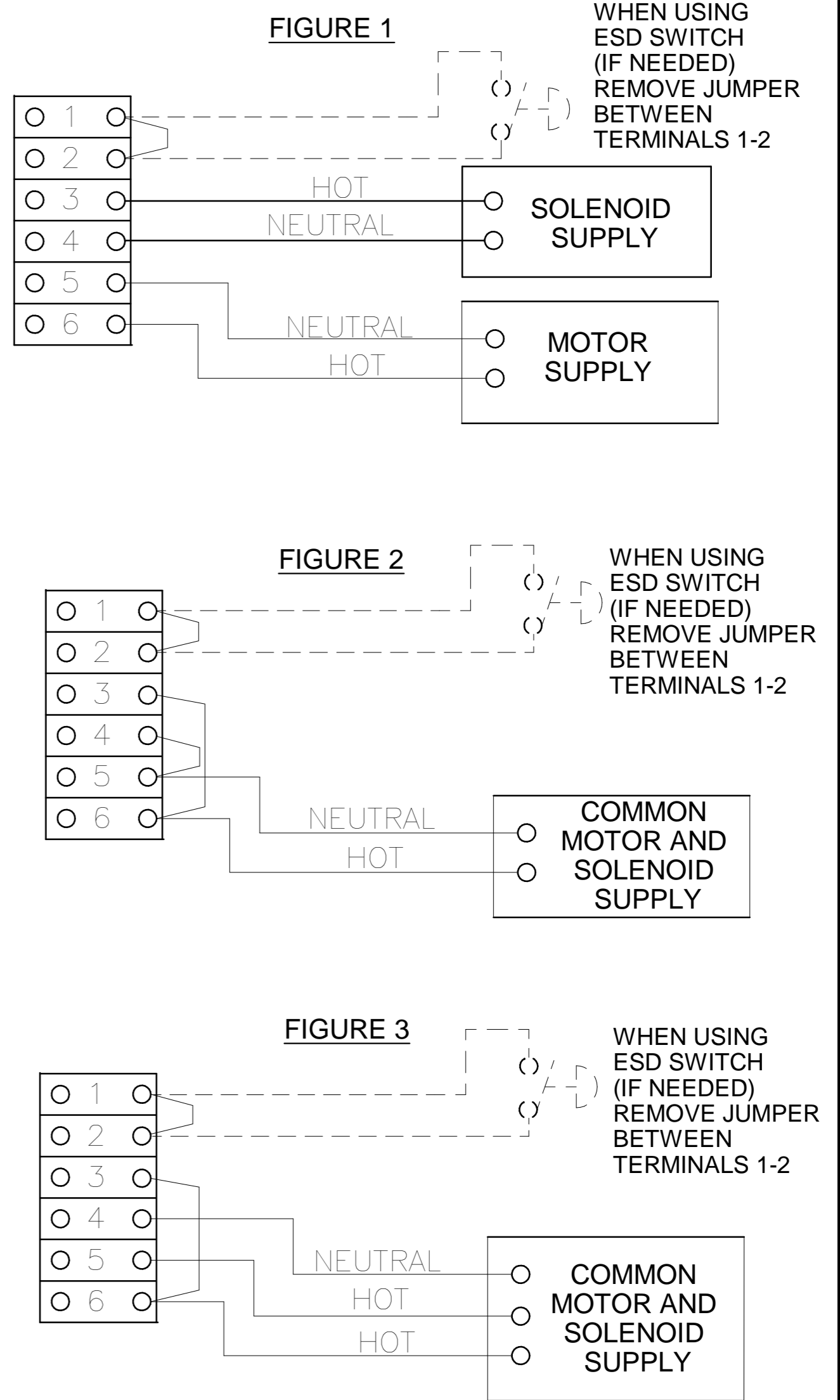
REVISIONS		
REV	ECN	DATE
00	RELEASED	17-Nov-2020

SWITCH BOX UNIT

HYDRAULIC POWER UNIT



POWER SUPPLY OPTIONS (CUSTOMER SCOPE)



POWER SOURCE	SOLENOID SUPPLY	MOTOR SUPPLY	SOLENOID RATING	MOTOR RATING	FIGURE
SEPARATE MOTOR AND SOLENOID SUPPLY	115 VAC	115 VAC	115 VAC	115 / 230 1 PH	1
	24 VDC	115 VAC	24 VDC	115 / 230 1 PH	1
	24 VDC	230 VAC	24 VDC	115 / 230 1 PH	1
COMMON MOTOR AND SOLENOID SUPPLY	115 VAC		115 VAC	115 / 230 1 PH	2
	230V AC 2PH		115 VAC	115 / 230 1 PH	3

<small>THIS DOCUMENT AND THE DATA DISCLOSED HEREIN OR HEREWITH IS NOT TO BE REPRODUCED, USED OR DISCLOSED IN WHOLE OR IN PART TO ANYONE WITHOUT THE PERMISSION OF EMERSON</small>	TITLE: WIRING SCHEMATIC WIRING DRAWING, EHPX ACTUATOR 115/230 MOTOR AND 115 SOLENOID 115/230 MOTOR AND 24 SOLENOID WITH DIFFERENT CUSTOMER SUPPLY OPTIONS (ESD IF NEEDED)				
	PURCHASE ORDER NO. -		PROJECT TITLE -	DRAWING NO. VA-ED-008-7502	
	SALES ORDER NO. -	CUSTOMER NAME -	DRAWN BY: Naysa, Vijayanti	CHECKED BY: Gole, Dhananjay	APPROVED BY: -
			DWG. SIZE: A2	SHEET: 1 of 1	REV: 00