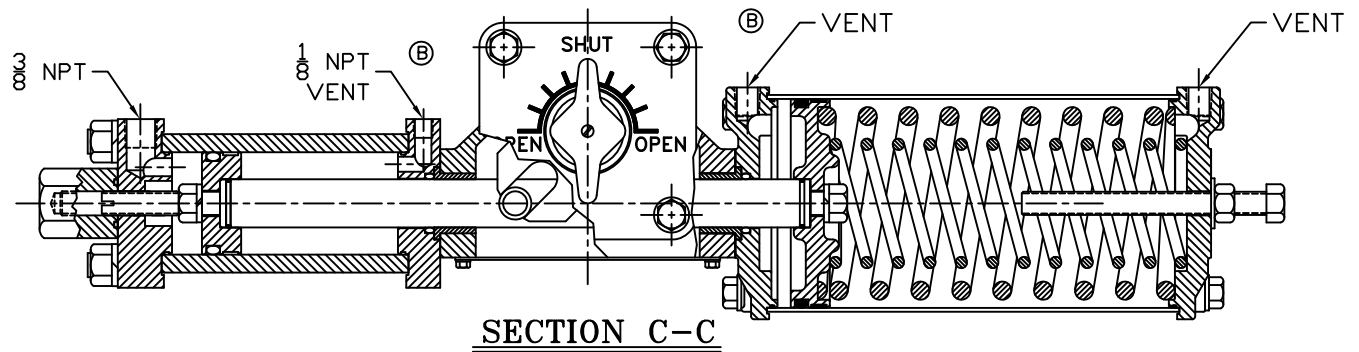
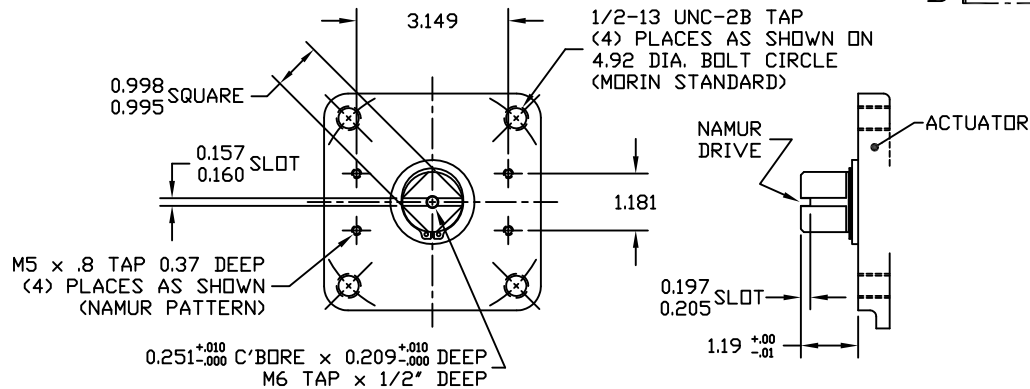
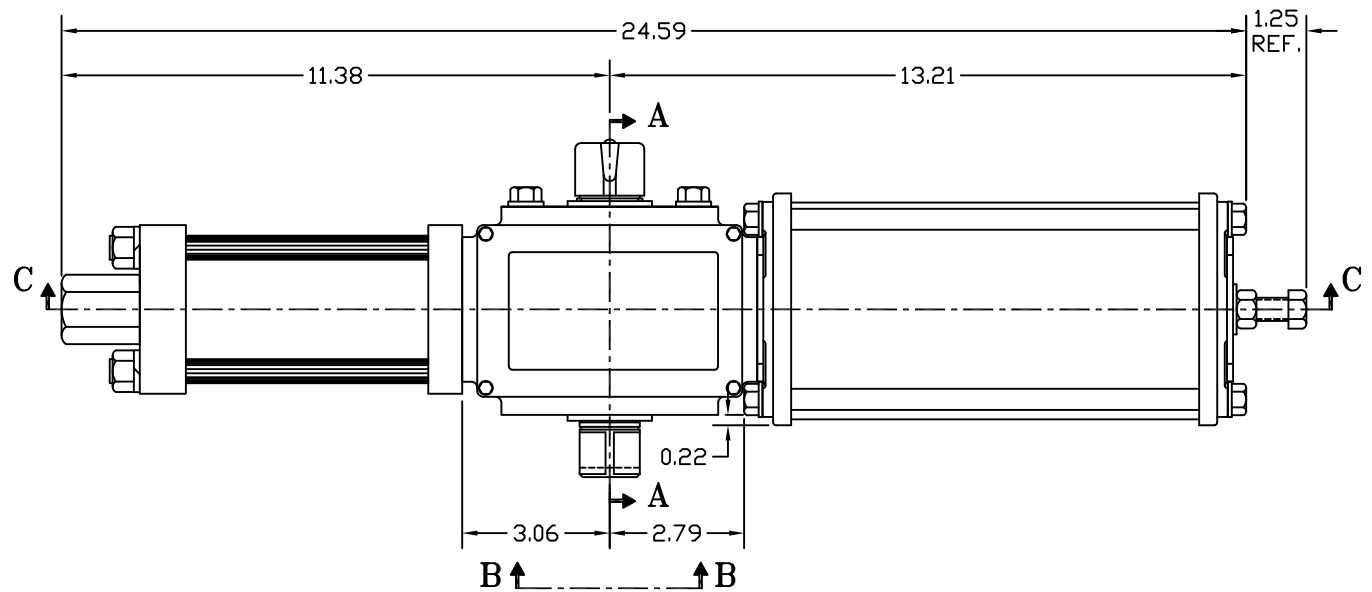
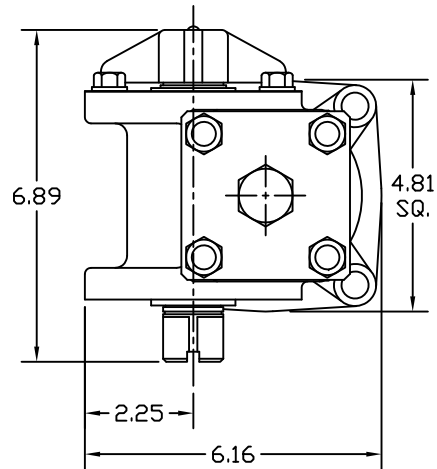


SECTION A-A

YOKE SHOWN AT MID-STROKE
POINTER OMITTED FOR CLARITY



SECTION C-C



VIEW B-B

MODEL 15B MOUNTING PATTERN (F12) BOTH SIDES
(SCALE: 1:1)

MORIN Birmingham, AL			
TITLE: MODEL HP15U-2-1-046S000 ACTUATOR			
DRAWN BY: CAW	DATE: 08/01/06	CHECKER:	DATE:
APPROVAL:	DATE:	DRAWING NO.:	
SCALE: FULL	REVISION: B	DWG. SIZE: E	HP15B002B
SHEET 1 of 1			

B	CHANGED HP ADAPTOR/SRING SIDE ADAPTOR PORTS TO VENTS	CAW		03/17/06
REV	CHANGE	BY	CHK	APR