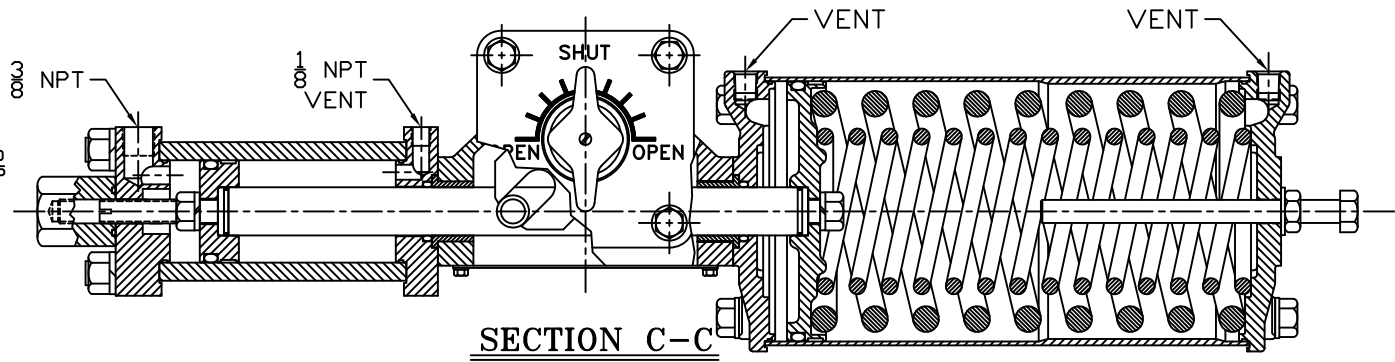
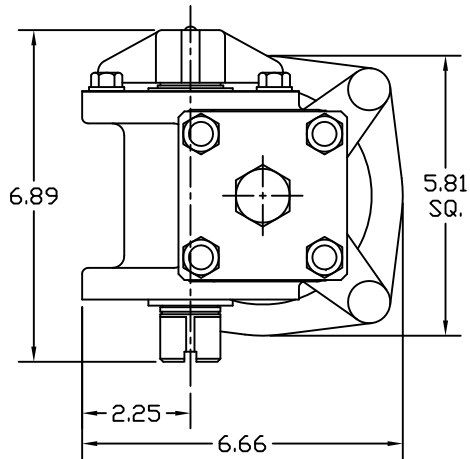
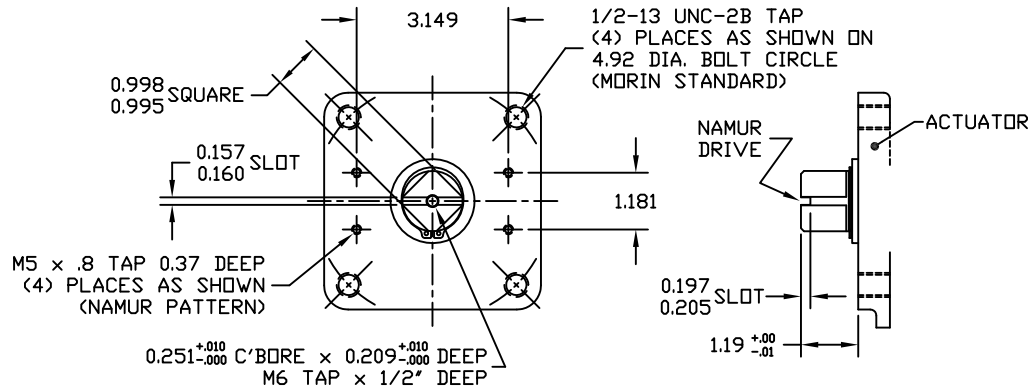
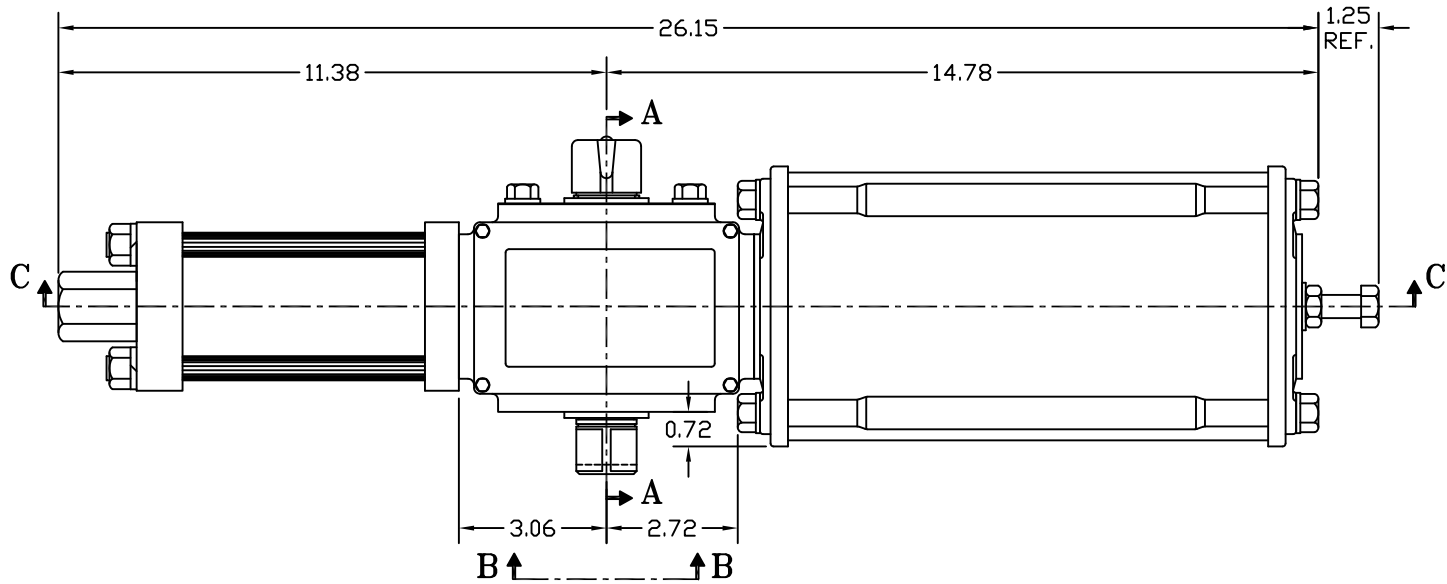


**SECTION A-A**

YOKE SHOWN AT MID-STROKE  
POINTER OMITTED FOR CLARITY



**SECTION C-C**



**VIEW B-B**

MODEL 15B MOUNTING PATTERN (F12) BOTH SIDES  
(SCALE: 1:1)

REV	DESCRIPTION	BY	CHK	APR	DATE
C	CHANGED HP ADAPTOR/SRING SIDE ADAPTOR PORTS TO VENTS	CAW			05/17/06
B	CORRECTED ENDCAP DIM FROM 7.12 SQ. TO 5.81 SQ.	CAW			05/02/06
	CHANGE	BY	CHK	APR	DATE

<b>MORIN</b> Birmingham, AL					
TITLE: MODEL HP15U-2-1-072S000 ACTUATOR					
DRAWN BY: CAW	DATE: 08/01/06	CHECKER:	DATE:	APPROVAL:	DATE:
SCALE: FULL	REVISION: C	DRAWING NO.:			
SHEET 1 of 1	DWG. SIZE: E	HP15B005C			