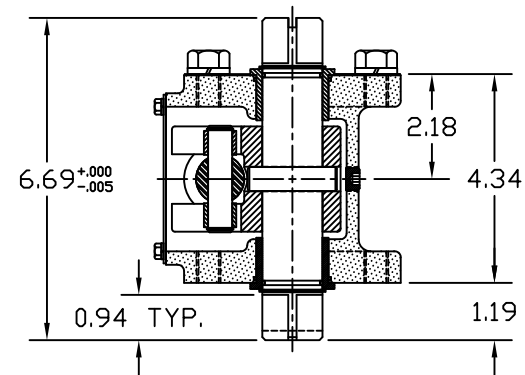
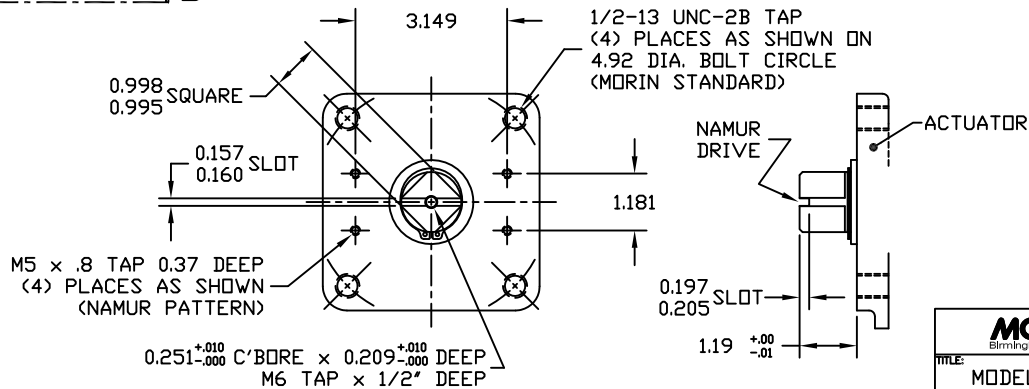
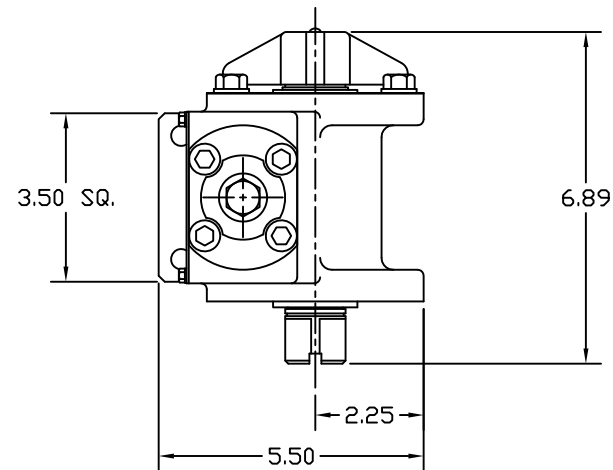
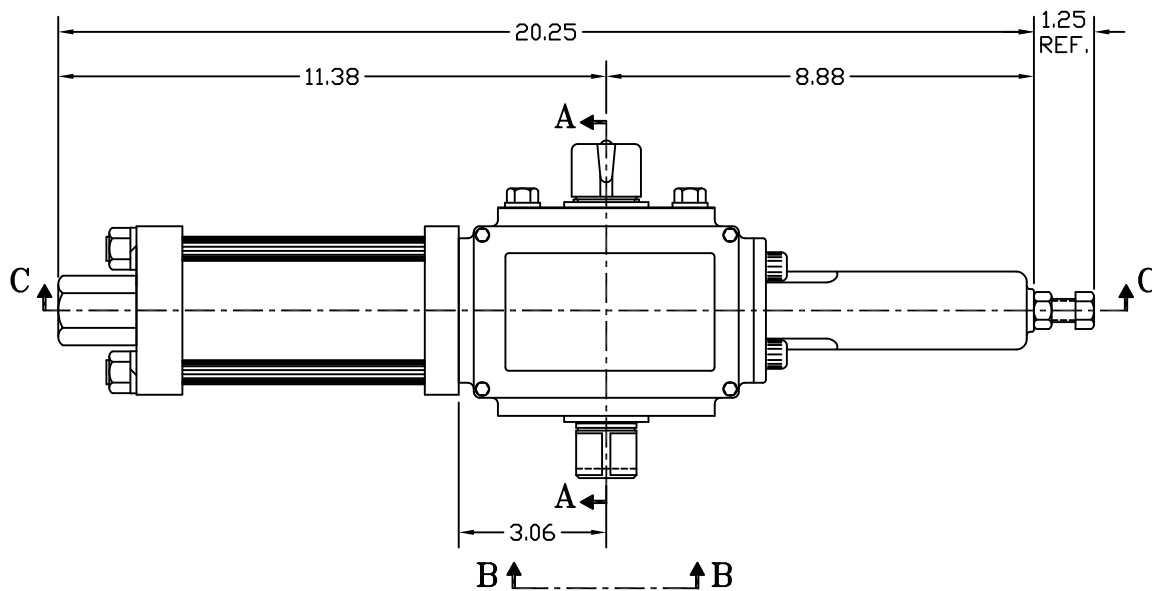


SECTION C-C



SECTION A-A

YOKE SHOWN AT MID-STROKE
POINTER OMITTED FOR CLARITY



VIEW B-B

MODEL 15B MOUNTING PATTERN (F12) BOTH SIDES
(SCALE: 1:1)

MORIN® Birmingham, AL					
TITLE: MODEL HP15U-2-1DA ACTUATOR					
DRAWN BY:	DATE:	CHECKER:	DATE:	APPROVAL:	DATE:
BDC	12/18/01				
SCALE:	REVISION:	DRAWING NO.:			
FULL	B	HP15B501B			
SHEET	DWG. SIZE:				
1 of 1	E				

REV	DESCRIPTION	BY	CHK	APR	DATE
B	UPDATED CYLINDER LENGTH TO MATCH SECTION A-A & VIEW B-B	CAW			08/01/06
	CHANGE	BY	CHK	APR	DATE