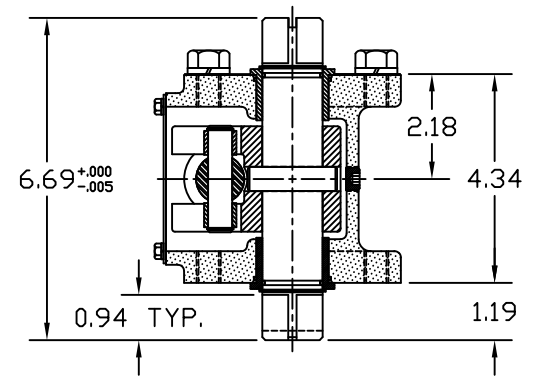
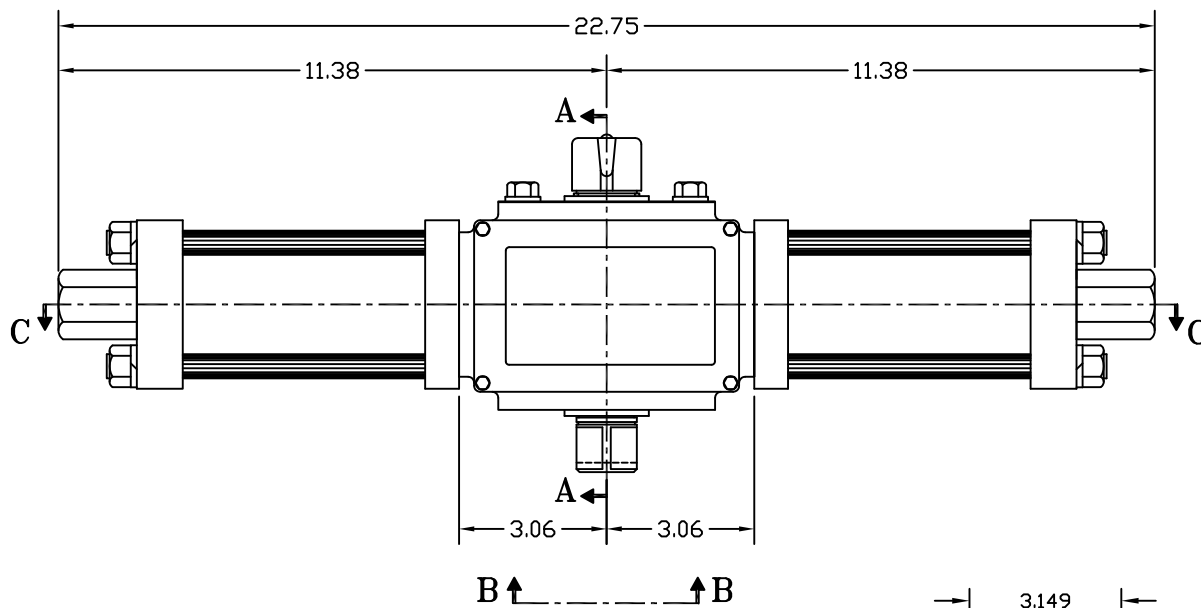


**SECTION C-C**

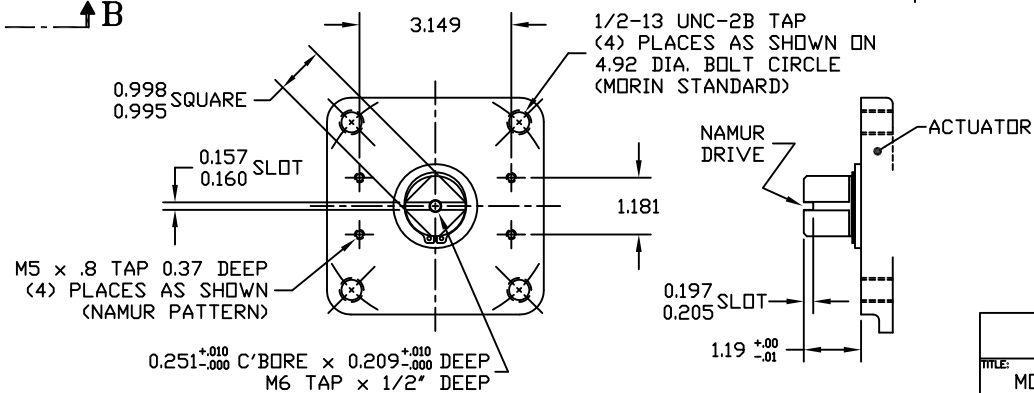
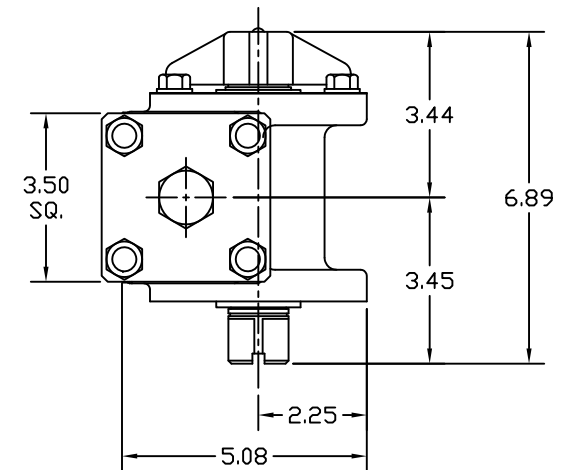


**SECTION A-A**

YOKE SHOWN AT MID-STROKE  
POINTER OMITTED FOR CLARITY



**VIEW B-B**



**VIEW B-B**

MODEL 15B MOUNTING PATTERN (F12) BOTH SIDES  
(SCALE: 1:1)

<b>MORIN</b> Birmingham, AL	
TITLE: MODEL HP15U-2-2DA ACTUATOR	
DRAWN BY: CAW	DATE: 08/01/06
CHECKER:	DATE:
APPROVAL:	DATE:
SCALE: FULL	REVISION: B
SHEET 1 OF 1	DWG. SIZE: E
DRAWING NO.: HP15B510B	

B	CHANGED HP ADAPTOR/SRING SIDE ADAPTOR PORTS TO VENTS CHANGE	CAW	BY	CHK	APR	04/07/06
REV						DATE