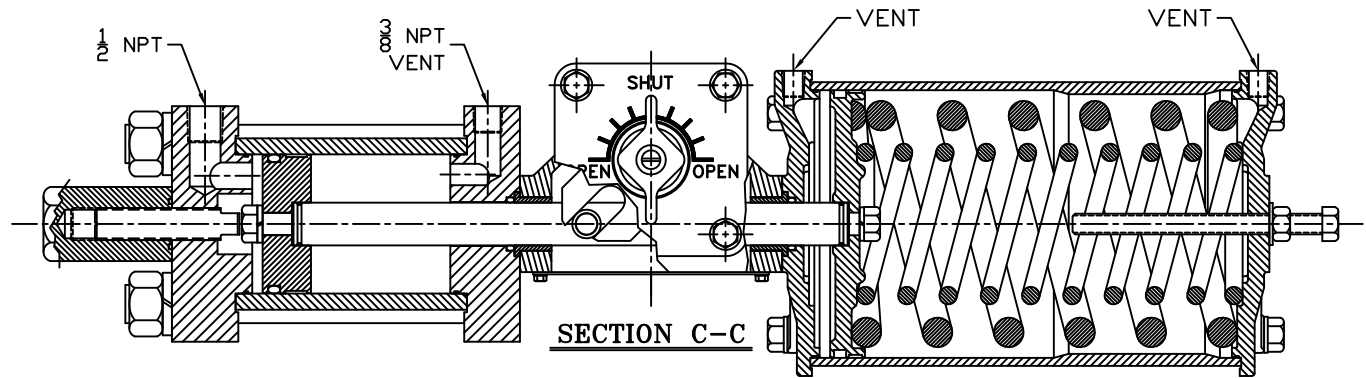
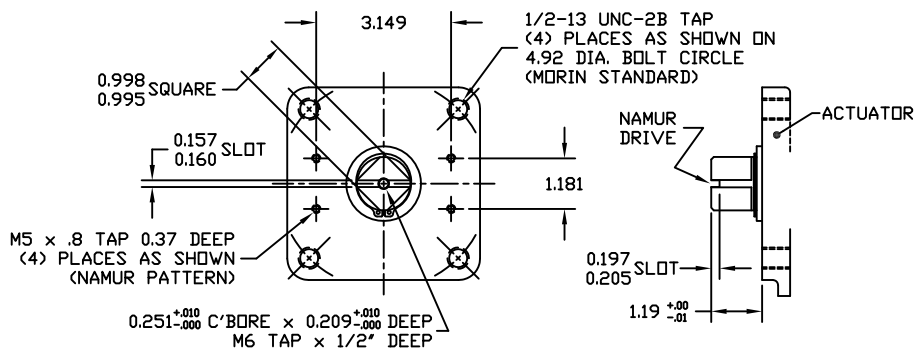
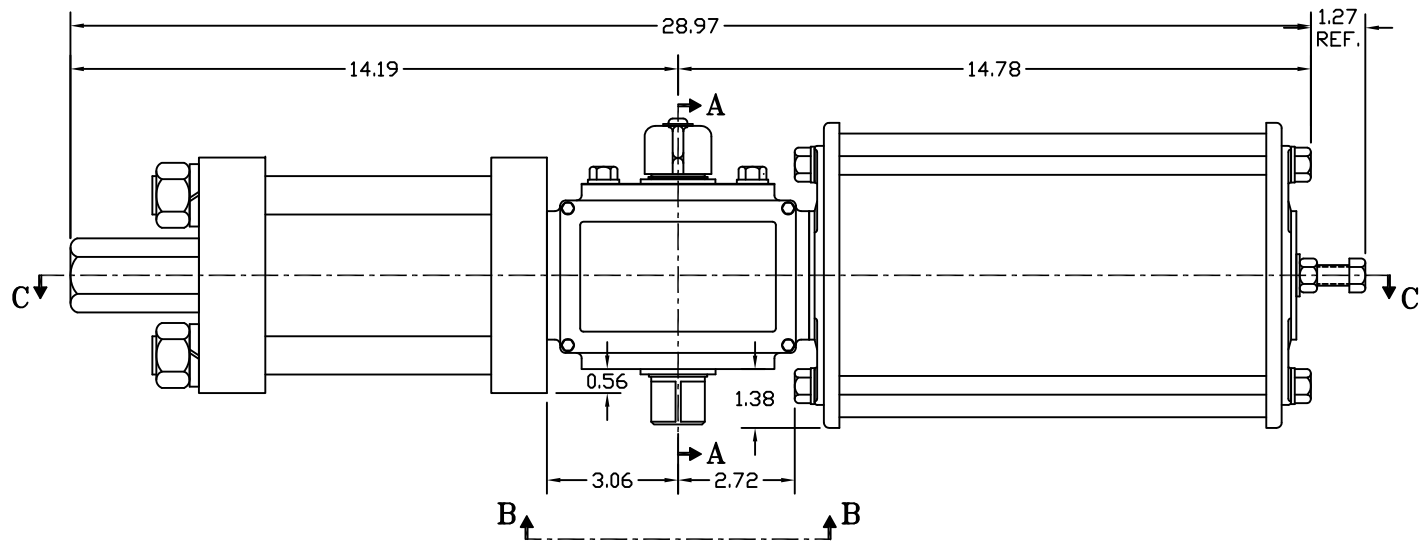
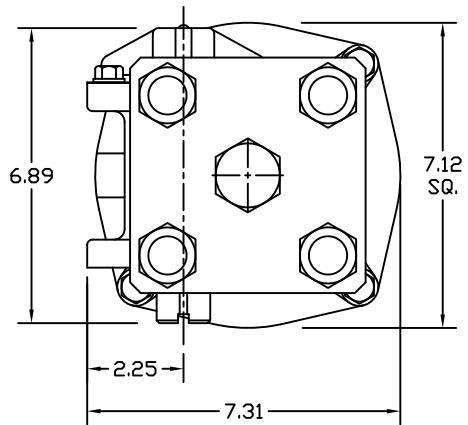


**SECTION A-A**

YOKE SHOWN AT MID-STROKE  
POINTER OMITTED FOR CLARITY



**SECTION C-C**



**VIEW B-B**

MODEL 15B MOUNTING PATTERN (F12) BOTH SIDES  
(SCALE: 1:1)

<b>MORIN®</b>		Morin Actuator 110 Commerce Drive Pelham, Alabama, U.S.A. 35124 (205) 662-9533	
MODEL HP15U-3-1-100S000 ACTUATOR			
DRAWN BY:	DATE:	CHECKED:	DATE:
CAW	08/02/06		
SCALE:	REVISION:	APPROVED:	DATE:
FULL	B		
SHEET	DWG. SIZE:	DRAWING NO.:	
1 of 1	E	HP15B007B	

REV	DESCRIPTION	BY	CHK	APR	DATE
B	CHANGED HP ADAPTOR/SPRING SIDE ADAPTOR PORTS TO VENTS	CAW			03/17/06
	CHANGE				