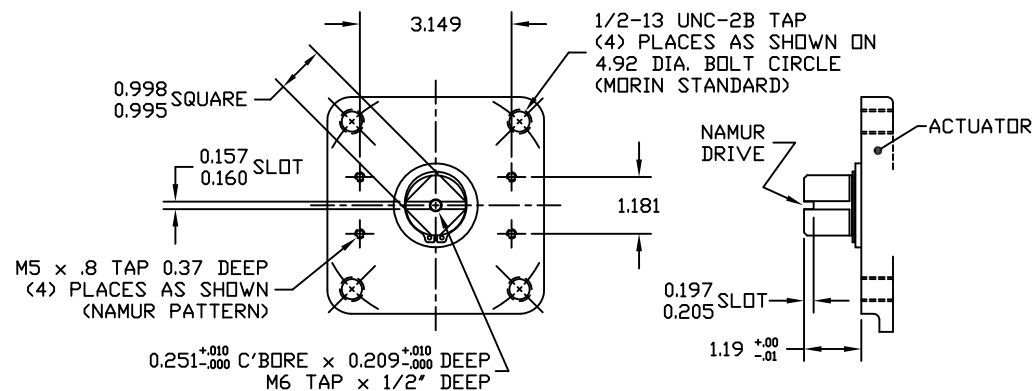
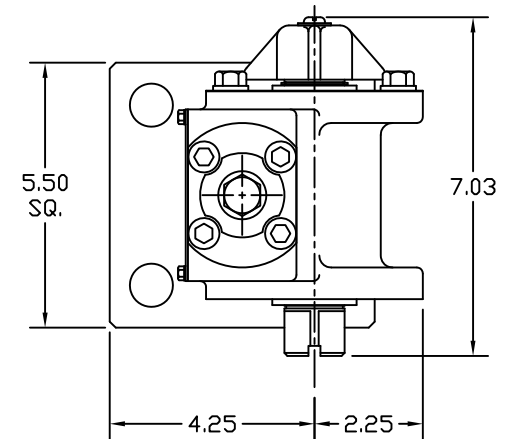
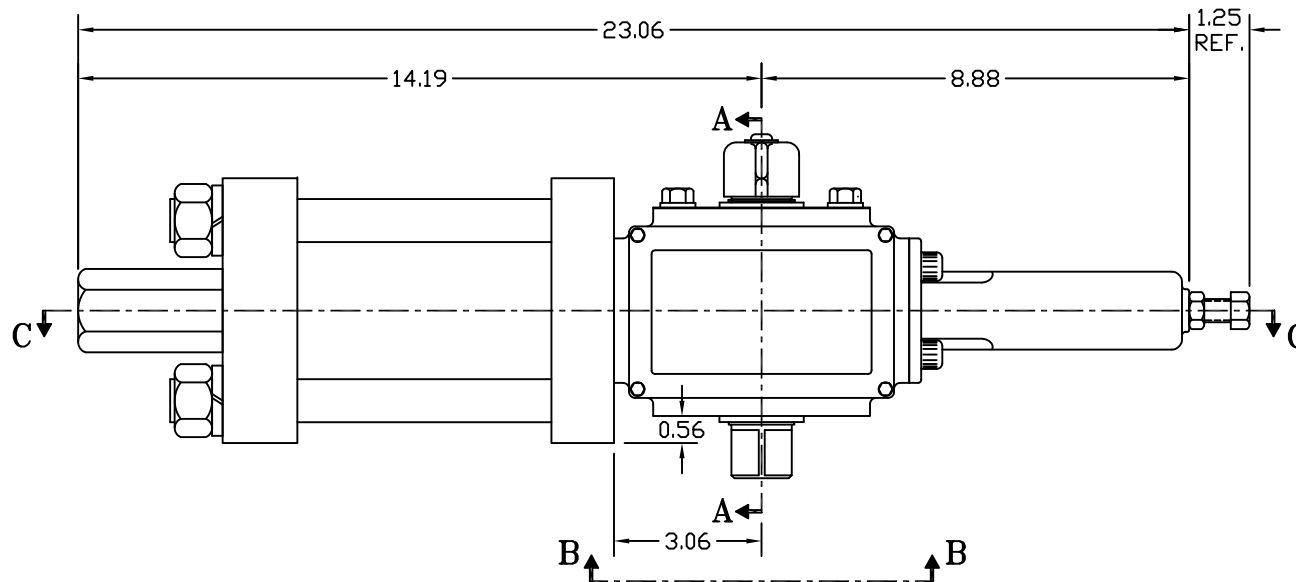


**SECTION A-A**  
 YOKE SHOWN AT MID-STROKE  
 POINTER OMITTED FOR CLARITY



**VIEW B-B**

MODEL 15B MOUNTING PATTERN (F12) BOTH SIDES  
 (SCALE: 1:1)

<b>MORIN</b> Birmingham, AL			
TITLE: MODEL HP15U-3-1DA ACTUATOR			
DRAWN BY: BDC	DATE: 4/23/03	CHECKER:	DATE:
SCALE: FULL	REVISION: B	DRAWING NO.:	
SHEET 1 of 1	DWG. SIZE: E	HP15B502B	

REV	DESCRIPTION	BY	CHK	APR	DATE
B	UPDATED VIEW B-B	CAW			
	CHANGE	BY	CHK	APR	DATE