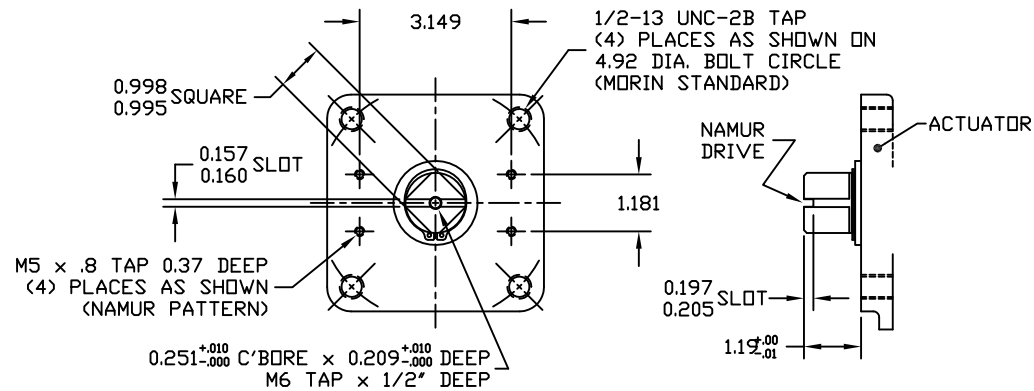
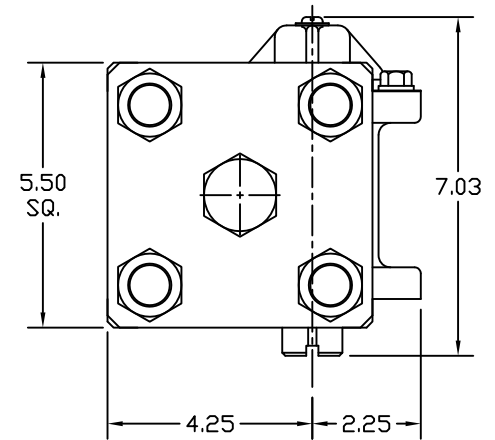
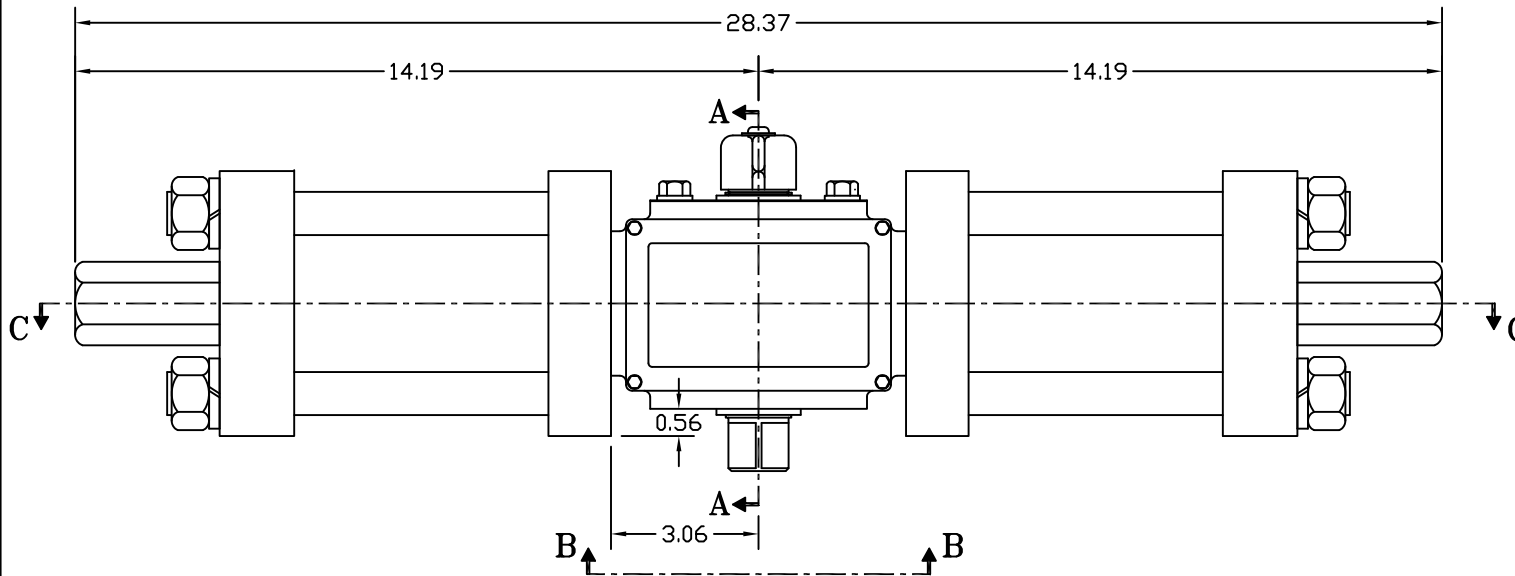


SECTION A-A
 YOKE SHOWN AT MID-STROKE
 POINTER OMITTED FOR CLARITY



VIEW B-B

MODEL 15B MOUNTING PATTERN (F12) BOTH SIDES
 (SCALE: 1:1)

MORIN Birmingham, AL			
TITLE: MODEL HP15U-3-2DA ACTUATOR			
DRAWN BY: CAW	DATE: 08/01/06	CHECKER:	DATE:
SCALE: FULL	REVISION: B	APPROVAL:	DATE:
SHEET 1 of 1	DWG. SIZE: E	DRAWING NO.: HP15B509B	

REV	DESCRIPTION	BY	CHK	APR	DATE
B	CHANGED HP ADAPTOR/SRING SIDE ADAPTOR PORTS TO VENTS	CAW			04/07/06
	CHANGE	BY	CHK	APR	DATE