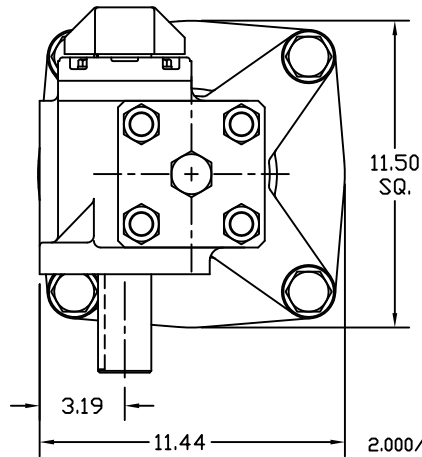
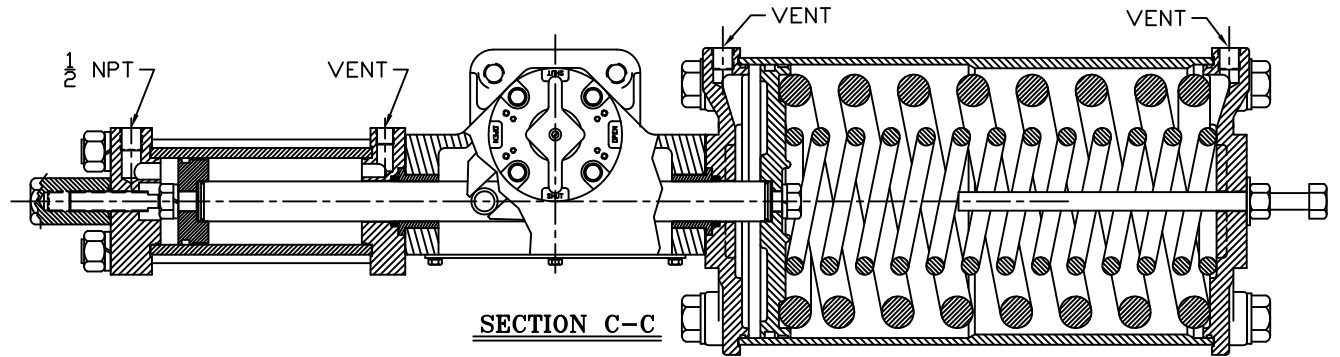
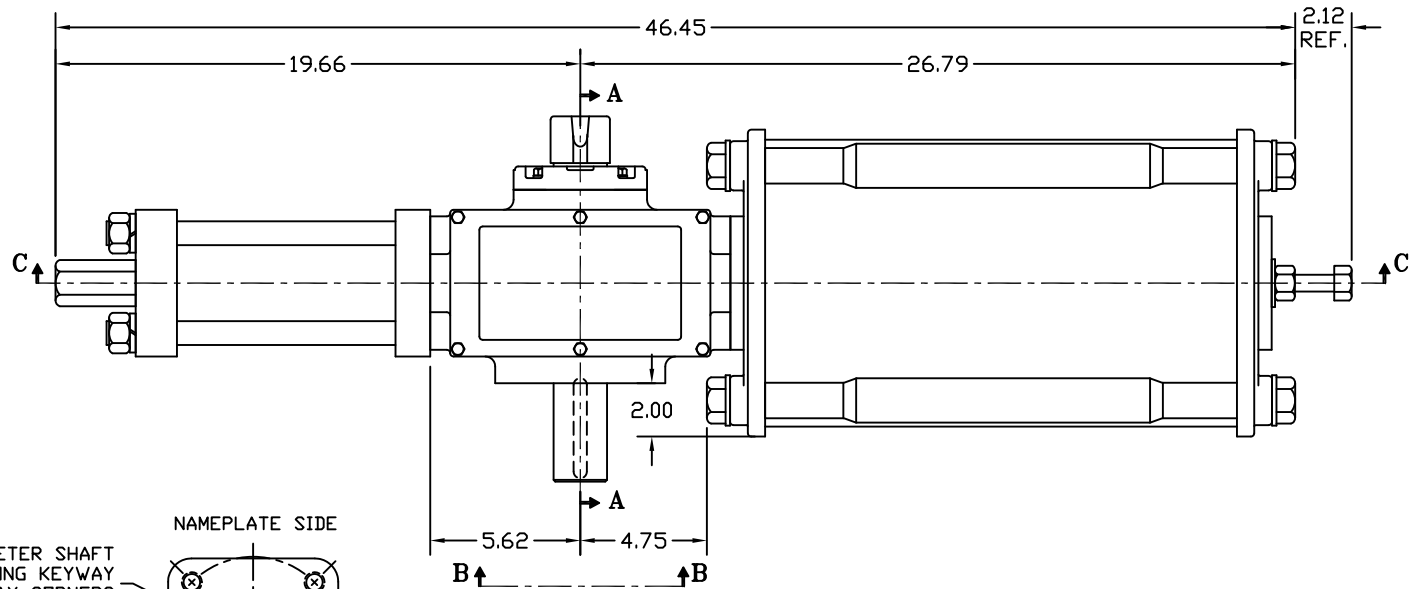


SECTION A-A
YOKE SHOWN AT MID-STROKE
POINTER OMITTED FOR CLARITY

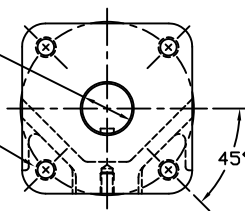


2.000/1.994 DIAMETER SHAFT
1/2 SQ. x 3.19 LONG KEYWAY
W/ .031 RADIUS INSIDE KEYWAY CORNERS
(TO BE USED W/ 1/2" x 3 3/16" KEY)

3/4-10 UNC TAP x 1.18 DEEP
(4) PLACES AS SHOWN ON
6.50 DIAMETER BOLT CIRCLE



NAMEPLATE SIDE



VIEW B-B

ISO (F16) MOUNTING PATTERN

MORIN®		MORIN Actuator	
www.morinact.com		110 Commerce Drive Pellham, Alabama, U.S.A. 35124 (205) 663-0533	
MODEL HP25U-3-1-210S080 ACTUATOR			
DRAWN BY:	DATE:	CHECKED:	DATE:
(AB)	10/14/03		
SCALE:	REVISION:	DRAWING NO.:	
1 : 2.25	D	HP25B001D	
SHEET	DWG. SIZE:		
1 of 1	D		

REV	CHANGE	BY	CHK	APR	DATE
D	CHANGED HP ADAPTOR PORT TO VENT	CAW			04/07/06
	ELIMINATED REF DIM ON HP CAP NUT	CAW			
C	UPDATED VIEW B-B & SECTION A-A	CAW			02/20/07
B	UPDATED VIEW B-B & CYLINDER LENGTH TO CANTED	CAW			08/01/06