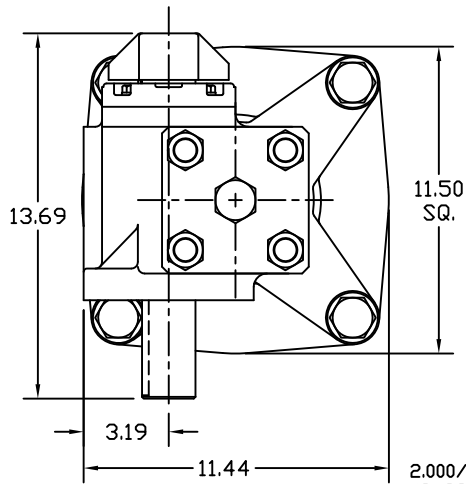
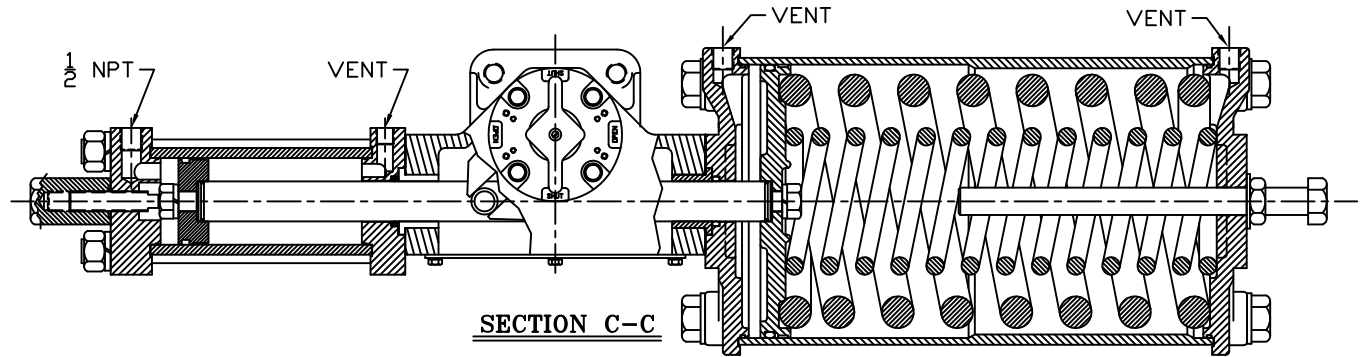
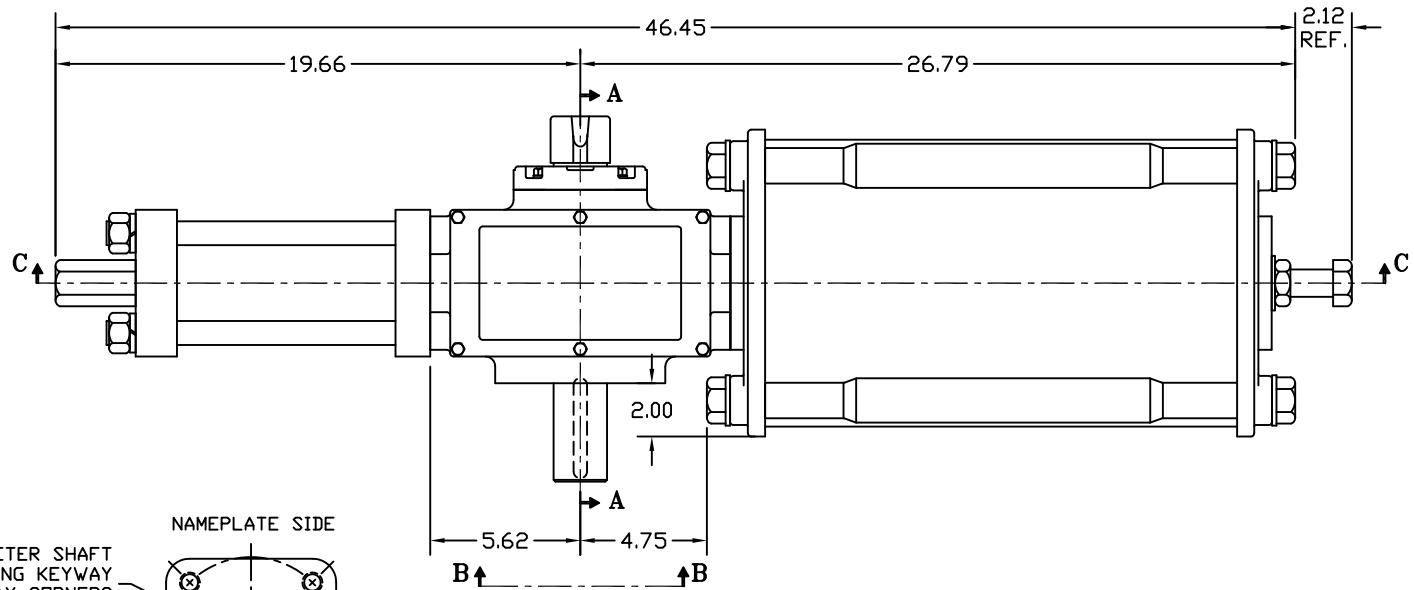


**SECTION A-A**  
YOKE SHOWN AT MID-STROKE  
POINTER OMITTED FOR CLARITY

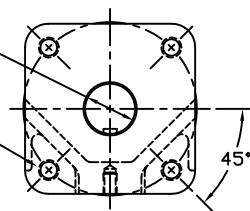


2.000/1.994 DIAMETER SHAFT  
1/2 SQ. x 3.19 LONG KEYWAY  
W/ .031 RADIUS INSIDE KEYWAY CORNERS  
(TO BE USED W/ 1/2" x 3 3/16" KEY)

3/4-10 UNC TAP x 1.18 DEEP  
(4) PLACES AS SHOWN ON  
6.50 DIAMETER BOLT CIRCLE



NAMEPLATE SIDE



**VIEW B-B**

ISO (F16) MOUNTING PATTERN

<b>MORIN</b> www.morinact.com		MORIN Actuator 110 Commerce Drive Pellham, Alabama, U.S.A. 35124 (205) 663-0533	
<b>MODEL HP25U-3-1-270S000 ACTUATOR</b>			
DRAWN BY:	DATE:	CHECKED:	DATE:
CAW	08/04/06		
SCALE:	REVISION:	DRAWING NO.:	
1 : 2.25	C	HP25B007C	
SHEET	DWG. SIZE:		
1 of 1	D		

REV	CHANGE	BY	CHK	APR	DATE
C	REMOVED REF DIM ON HP CAP NUT/EXTENDED OVERALL DIM CHANGED HP ADAPTOR / SPRING SIDE ADAPTOR PORTS TO VENTS	CAW			04/14/06
B	UPDATED SECTION A-A & VIEW B-B	CAW			02/20/07