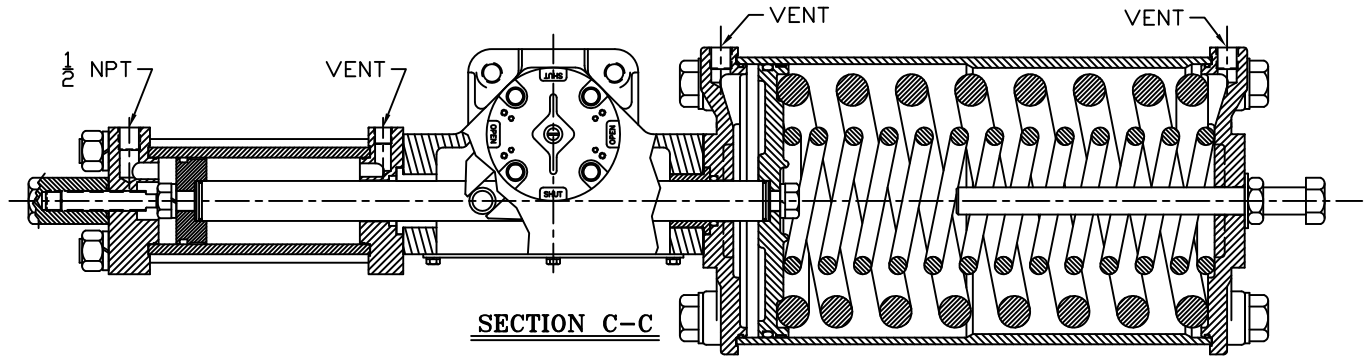
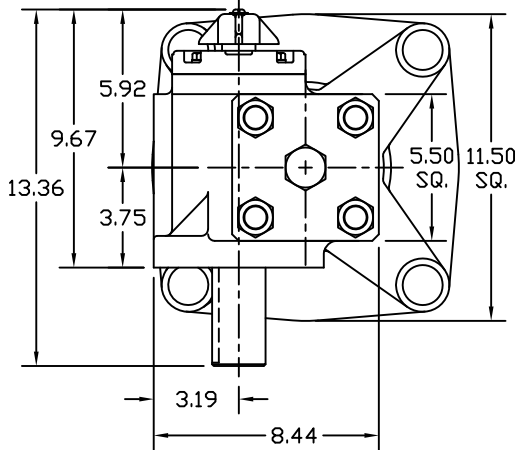
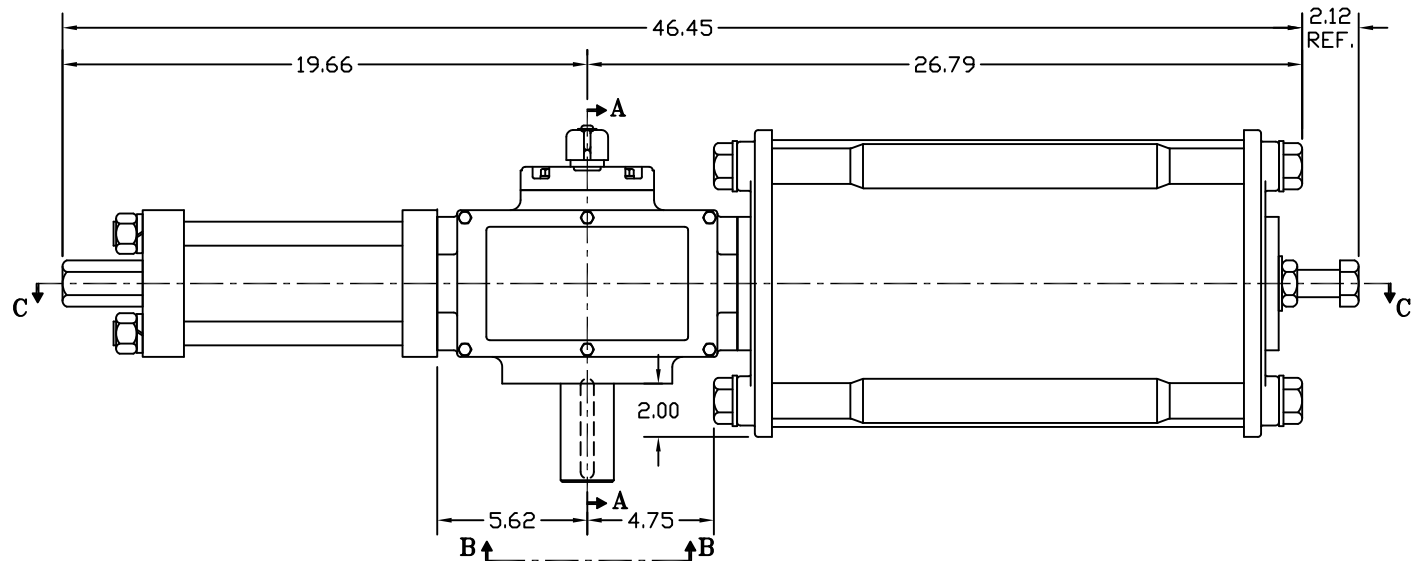


SECTION A-A

YOKE SHOWN AT MID-STROKE
POINTER OMITTED FOR CLARITY



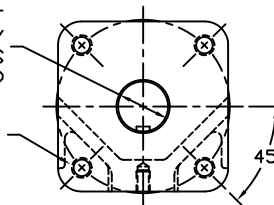
SECTION C-C



NAMEPLATE SIDE

2.000/1.994 DIAMETER SHAFT
1/2 SQ. x 3.19 LONG KEYWAY
W/ .031 RADIUS INSIDE KEYWAY CORNERS
(TO BE USED W/ 1/2" x 3 3/16" KEY)

3/4-10 UNC TAP x 1.18 DEEP
(4) PLACES AS SHOWN ON
6.50 DIAMETER BOLT CIRCLE



VIEW B-B

ISO (F16) MOUNTING PATTERN

REV	CHANGE	BY	CHK	APR	DATE
C	CHANGED HP ADAPTOR / SPRING SIDE ADAPTOR PORTS TO VENTS	CAW			04/09/08
	DELETED REF DIM ON HP CAP NUT				
B	UPDATED SECTION A-A & VIEW B-B	CAW			02/20/07

MORIN® Birmingham, AL					
TITLE: MODEL HP25U-3-1-420S000 ACTUATOR					
DRAWN BY:	DATE:	CHECKER:	DATE:	APPROVAL:	DATE:
CAW	08/02/06				
SCALE:	1 : 2.25	REVISION:	C	DRAWING NO.:	
SHEET		DWG. SIZE:			
1 of 1				HP25B002C	