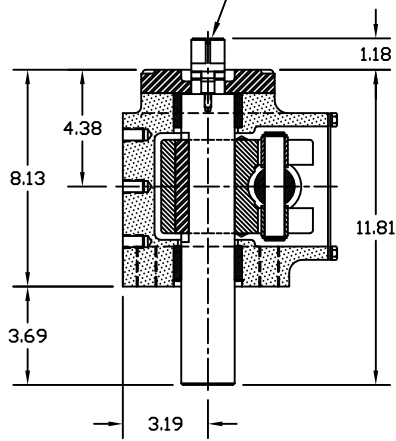
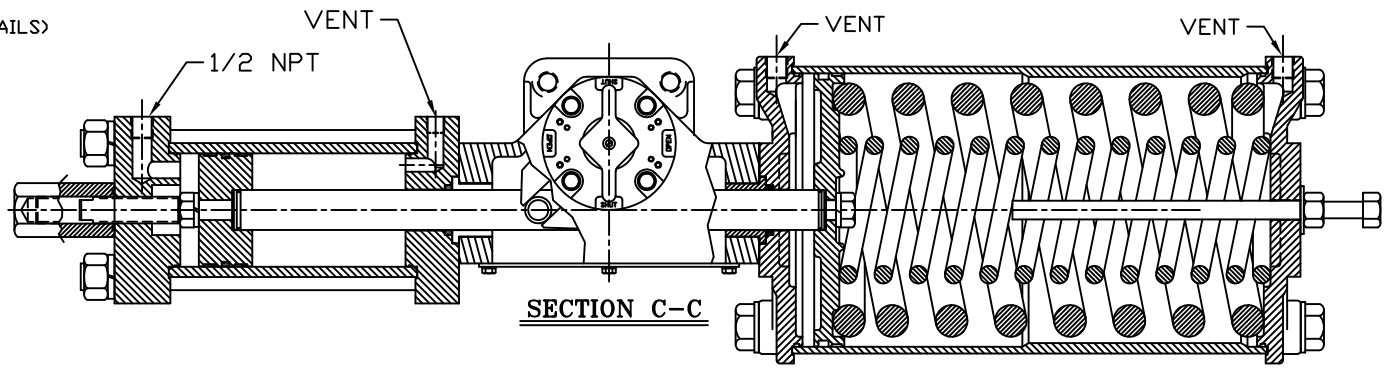


NAMUR POINTER ADAPTER
(SEE DWG. S01-02-01 FOR DETAILS)

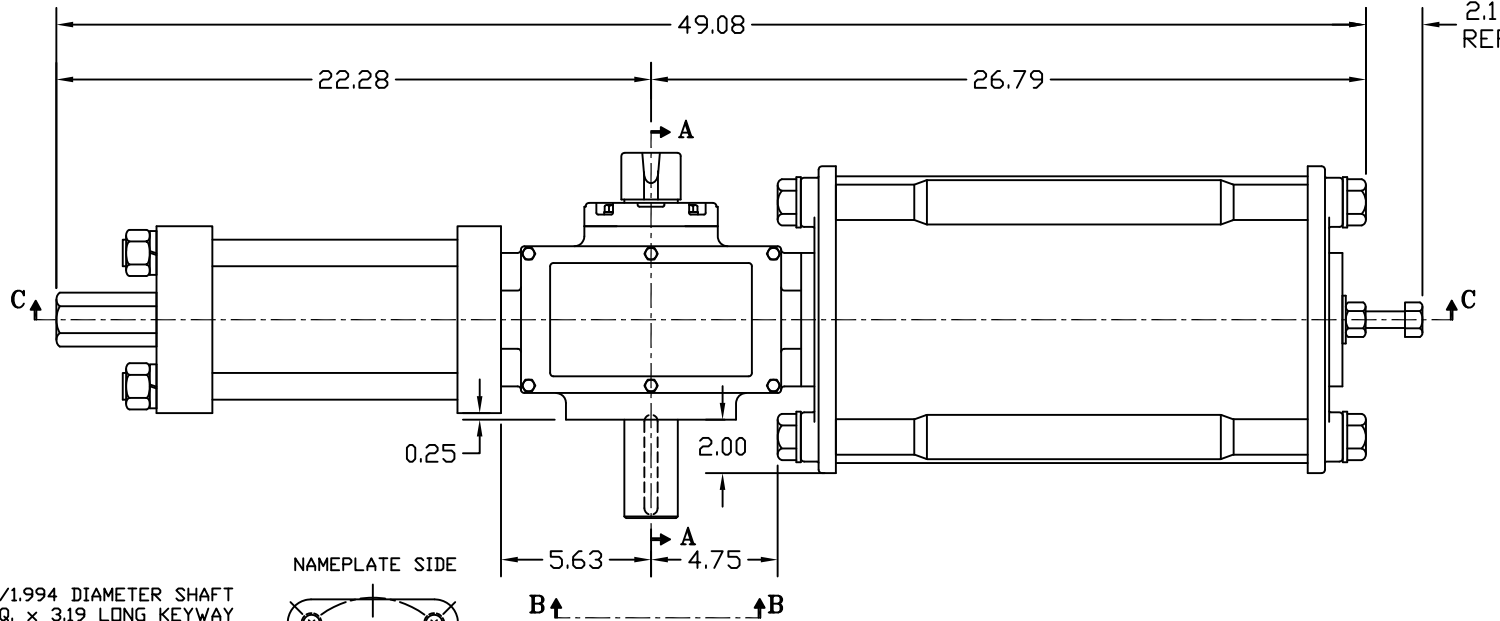
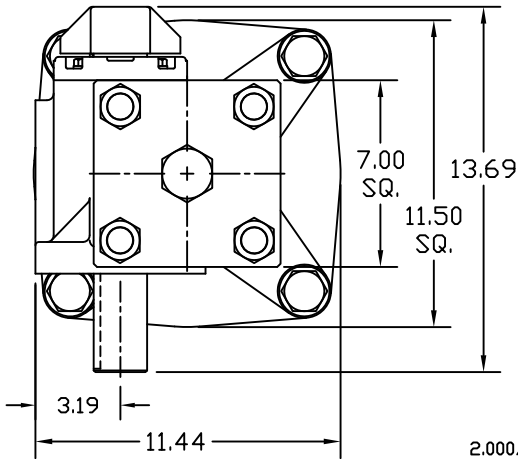


SECTION A-A

YOKE SHOWN AT MID-STROKE
POINTER OMITTED FOR CLARITY

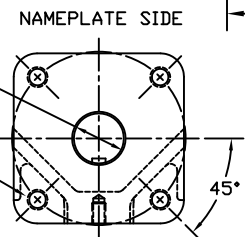


SECTION C-C



2.000/1.994 DIAMETER SHAFT
1/2 SQ. x 3.19 LONG KEYWAY
W/ .031 RADIUS INSIDE KEYWAY CORNERS
(TO BE USED W/ 1/2" X 3 3/16" KEY)

3/4-10 UNC TAP x 1.18 DEEP
(4) PLACES AS SHOWN ON
6.50 DIAMETER BOLT CIRCLE



VIEW B-B

ISO (F16) MOUNTING PATTERN

REV	CHANGE	BY	CHK	APR	DATE
C	CHANGED HP ADAPTOR PORT TO VENT DELETED REF DIM ON HP CAP NUT	CAW			04/08/08
B	UPDTAED SECTION A-A & VIEW B-B	CAW			02/20/07

MORIN www.morinact.com		MorIn Actuator 110 Commerce Drive Pellham, Alabama, U.S.A. 35124 (205) 663-0533	
MODEL HP25U-4-1-210S000 ACTUATOR			
DRAWN BY:	DATE:	CHECKED:	DATE:
CAW	08/04/06		
SCALE:	FULL	REVISION:	C
SHEET	1 of 1	DWG. SIZE:	D
		DRAWING NO.: HP25B003C	