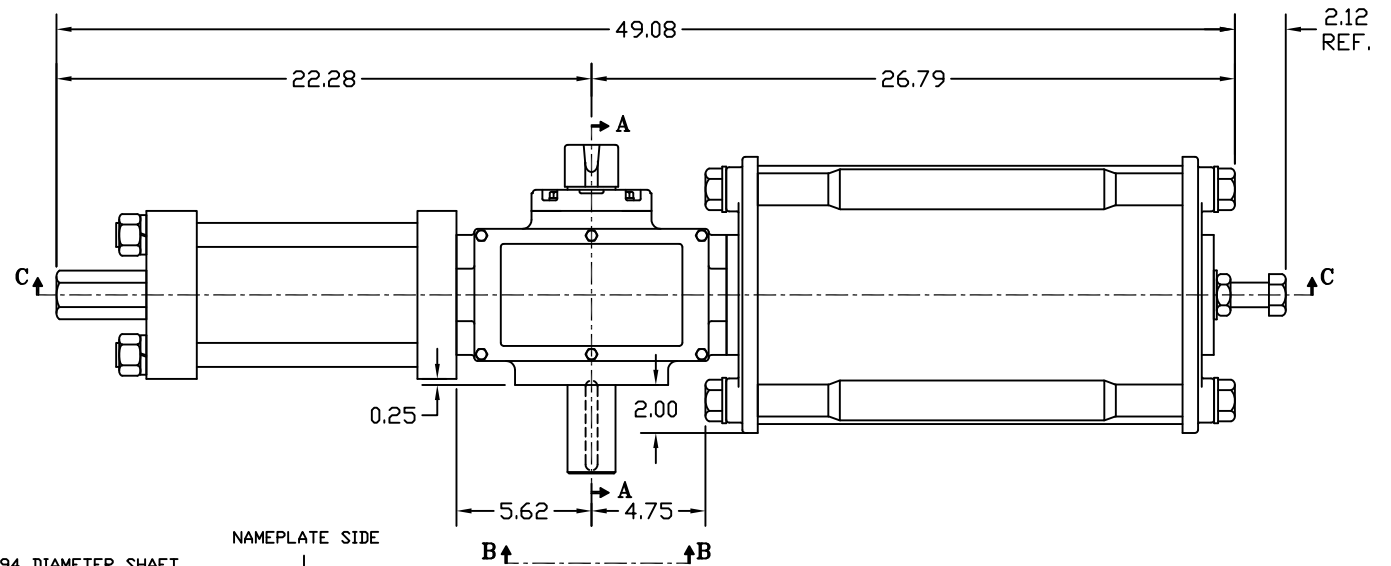
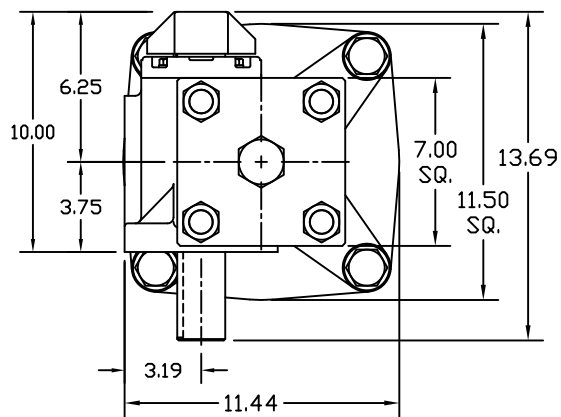
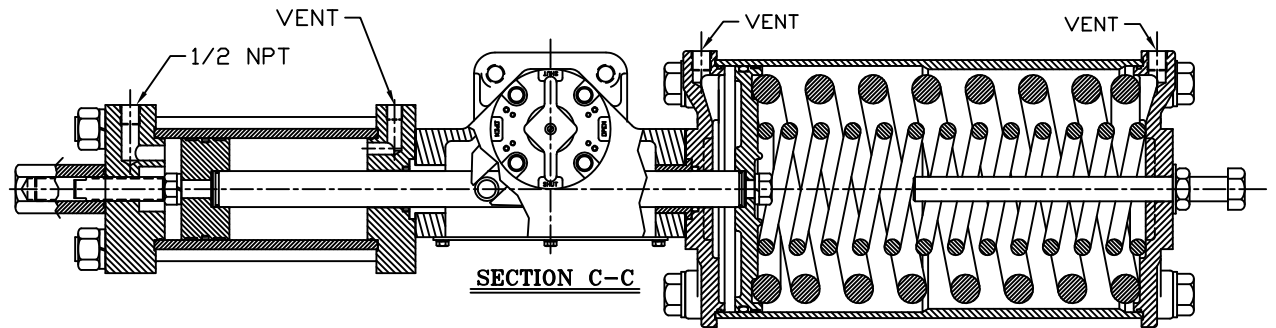


SECTION A-A

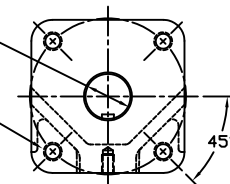
YOKE SHOWN AT MID-STROKE
POINTER OMITTED FOR CLARITY



2.000/1.994 DIAMETER SHAFT
1/2 SQ. x 3.19 LONG KEYWAY
W/ .031 RADIUS INSIDE KEYWAY CORNERS
(TO BE USED W/ 1/2" x 3 3/16" KEY)

3/4-10 UNC TAP x 1.18 DEEP
(4) PLACES AS SHOWN ON
6.50 DIAMETER BOLT CIRCLE

NAMEPLATE SIDE



VIEW B-B

ISO (F16) MOUNTING PATTERN

MORIN		Morin Actuator 110 Commerce Drive Pittman, Alabama, U.S.A. 35124 (205) 663-0533	
MODEL HP25U-4-1-420S000 ACTUATOR			
DRAWN BY:	DATE:	CHECKED:	DATE:
CAW	08/04/06		
SCALE:	1 : 2.5	REVISION:	C
SHEET	DWG. SIZE:	DRAWING NO.:	
1 of 1	D	HP25B004C	
APPROVED:	DATE:	APPROVED:	DATE:

REV	CHANGE	BY	CHK	APR	DATE
C	CHANGED HP ADAPTOR / SPRING SIDE ADAPTOR PORTS TO VENTS	CAW			04/08/06
	DELETED REF DIM ON HP CAP NUT				
B	UPDATED SECTION A-A & VIEW B-B	CAW			02/20/07