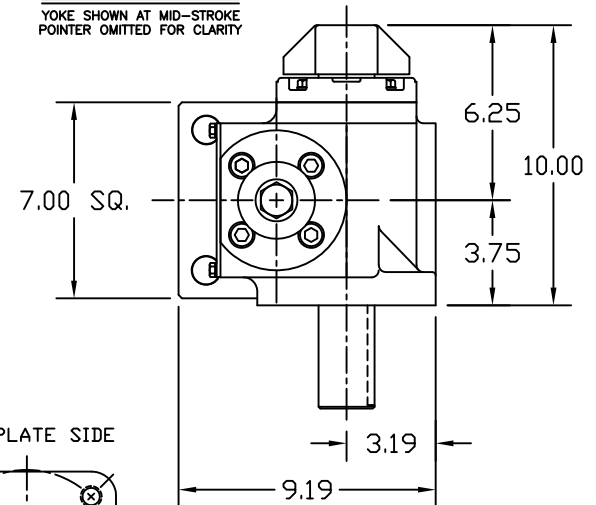
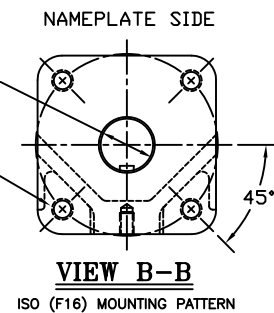


SECTION A-A
YOKE SHOWN AT MID-STROKE
POINTER OMITTED FOR CLARITY



2.000/1.994 DIAMETER SHAFT
1/2 SQ. x 3.19 LONG KEYWAY
W/ .031 RADIUS INSIDE KEYWAY CORNERS
(TO BE USED W/ 1/2" x 3 3/16" KEY)

3/4-10 UNC TAP x 1.18 DEEP
(4) PLACES AS SHOWN ON
6.50 DIAMETER BOLT CIRCLE



MORIN Birmingham, AL	
TITLE: MODEL HP25U-4-1DA ACTUATOR	
DRAWN BY: <i>AB</i>	DATE: 10/03/03
CHECKER:	DATE:
APPROVAL:	DATE:
SCALE: HALF	REVISION: D
SHEET 1 OF 1	DWG. SIZE: D
	DRAWING NO.: HP25B502D

REV	CHANGE	BY	CHK	APR	DATE
D	ELIMINATED REF. DIM. FROM HYD CYL CAP NUT	CAW			02/25/06
C	UPDATED SECTION A-A & VIEW B-B	CAW			02/20/07
B	UPDATED SECTION A-A, VIEW B-B & CYLINDER LENGTH TO CANTED	CAW			06/02/06