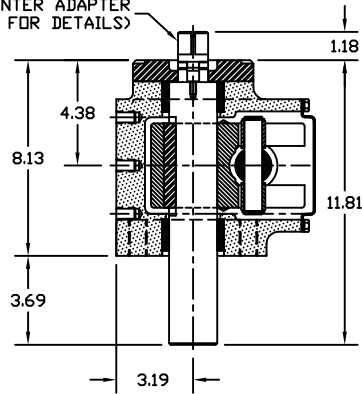
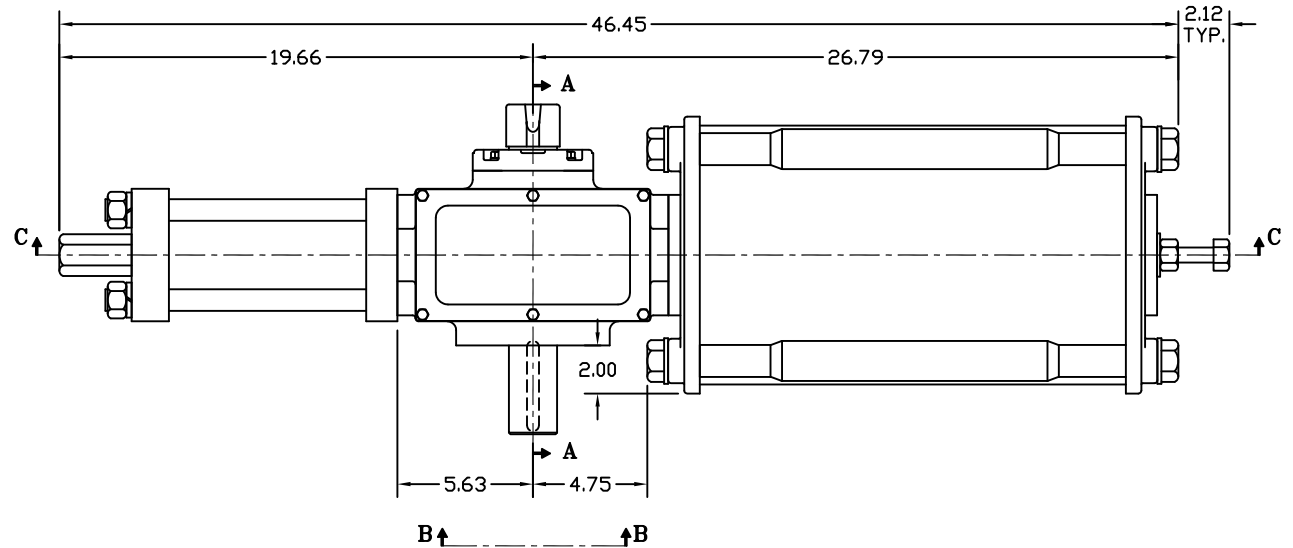
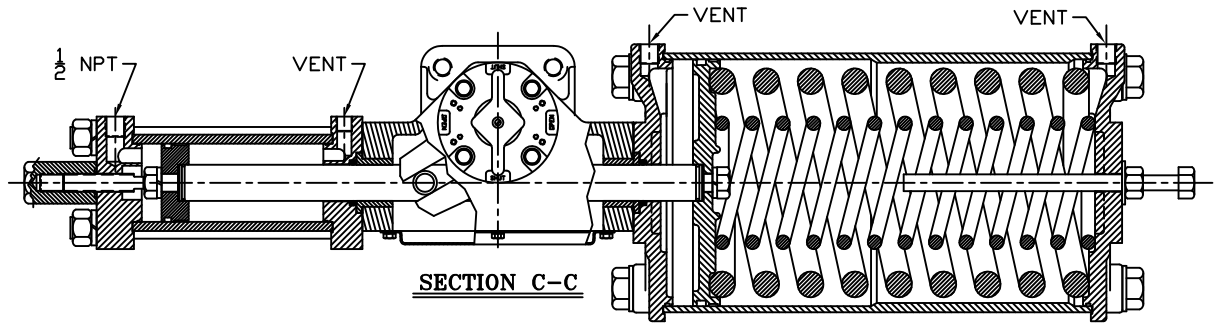
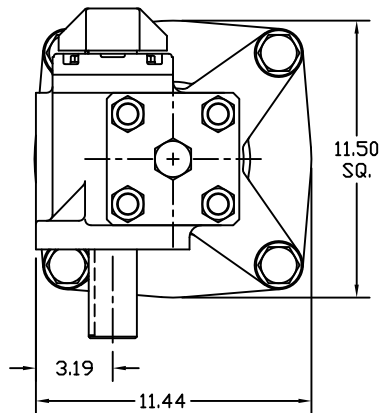


NAMUR POINTER ADAPTER
(SEE DWG. S01-02-01 FOR DETAILS)



SECTION A-A

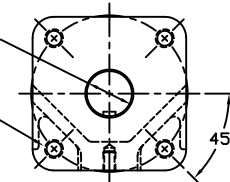
YOKE SHOWN AT MID-STROKE
POINTER OMITTED FOR CLARITY



2.000/1.994 DIAMETER SHAFT
1/2 SQ. x 3.19 LONG KEYWAY
W/ .031 RADIUS INSIDE KEYWAY CORNERS
(TO BE USED W/ 1/2" X 3 3/16" KEY)

3/4-10 UNC TAP x 1.18 DEEP
(4) PLACES AS SHOWN ON
6.50 DIAMETER BOLT CIRCLE

NAMEPLATE SIDE



VIEW B-B

ISO (F16) MOUNTING PATTERN

E	UPDATED SECTION A-A & HOUSING COVER TO CANTED	CAW		06/03/06
D	REMOVED REF DIM ON CAP NUT / EXTENDED OVERALL DIM TO END	CAW		04/14/06
	CHANGED HP ADAPTOR PORT TO VENT			
C	UPDATED SECTION A-A & VIEW B-B	CAW		02/21/07
B	UPDATED SECTION A-A & VIEW B-B	CAW		08/01/06
REV	CHANGE	BY	CHK	APR DATE

MORIN Birmingham, AL					
MODEL HP25UC-3-1-210S080 ACTUATOR (CANTED)					
DRAWN BY:	DATE:	CHECKER:	DATE:	APPROVAL:	DATE:
(AB)	10/15/03				
SCALE:	REVISION:	DRAWING NO.:			
HALF	E				
SHEET	DWG. SIZE:				
1 of 1	E	HP25B005E			