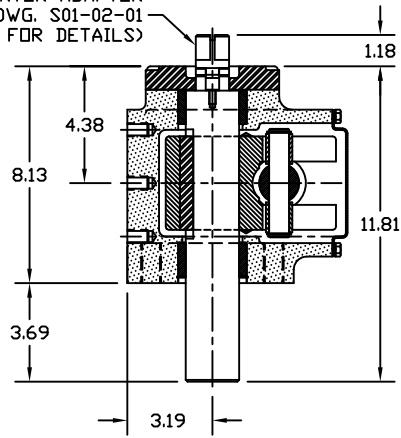
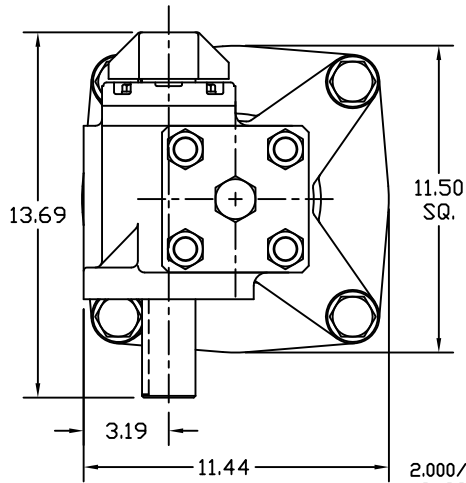
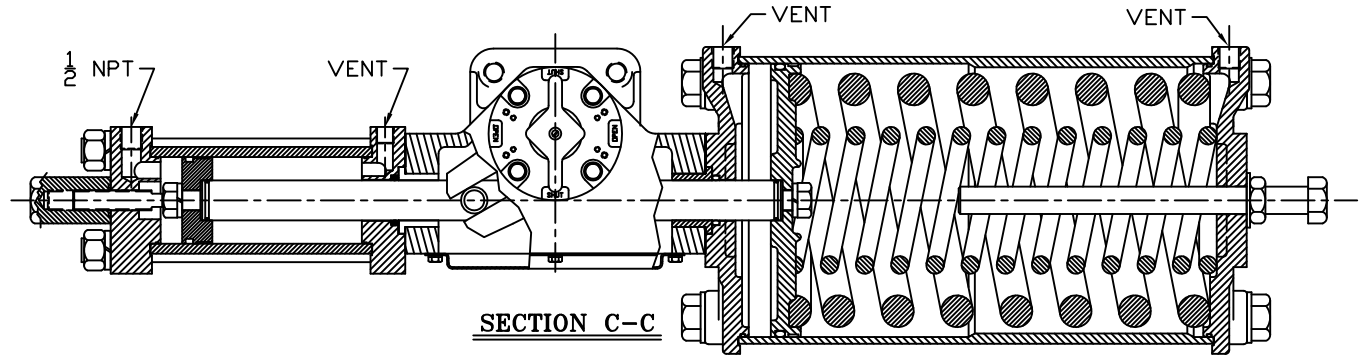


NAMUR POINTER ADAPTER
(SEE DWG. S01-02-01
FOR DETAILS)



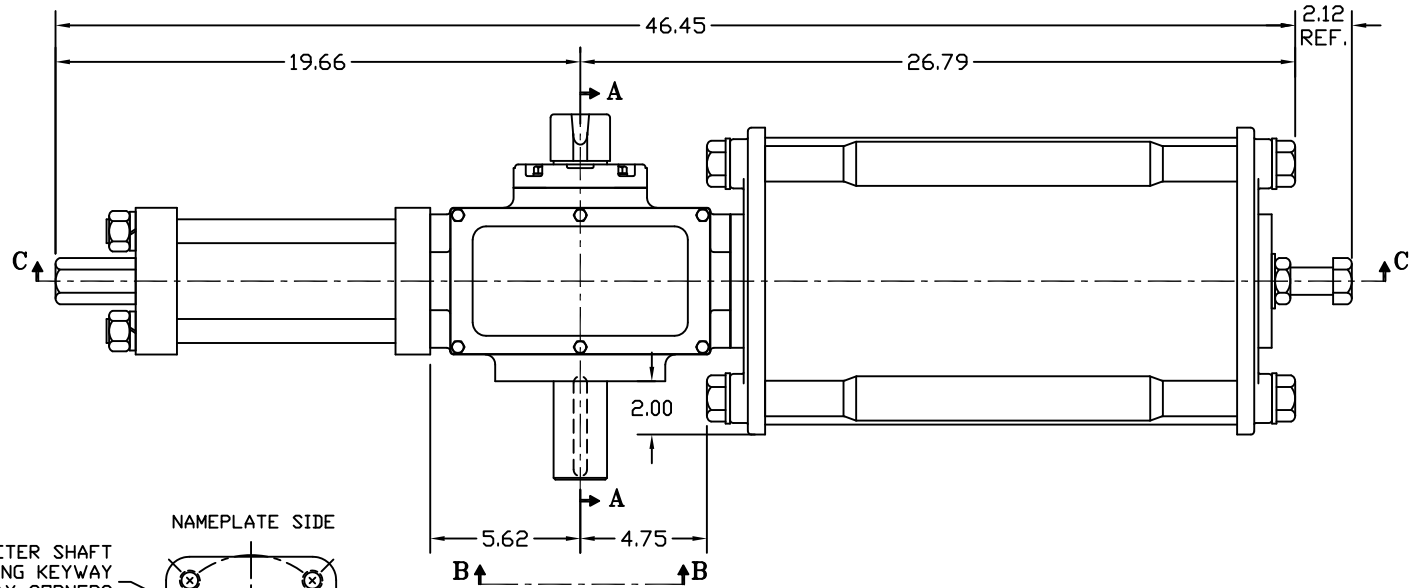
SECTION A-A

YOKE SHOWN AT MID-STROKE
POINTER OMITTED FOR CLARITY

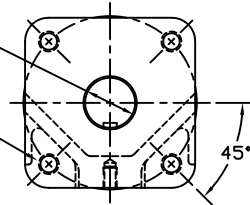


2.000/1.994 DIAMETER SHAFT
1/2 SQ. x 3.19 LONG KEYWAY
W/ .031 RADIUS INSIDE KEYWAY CORNERS
(TO BE USED W/ 1/2" x 3 3/16" KEY)

3/4-10 UNC TAP x 1.18 DEEP
(4) PLACES AS SHOWN ON
6.50 DIAMETER BOLT CIRCLE



NAMEPLATE SIDE



VIEW B-B

ISO (F16) MOUNTING PATTERN

MORIN www.morinact.com		MORIN Actuator 110 Commerce Drive Pellham, Alabama, U.S.A. 35124 (205) 663-0533	
MODEL HP25UC-3-1-270S000 ACTUATOR			
DRAWN BY:	DATE:	CHECKED:	DATE:
CAW	08/22/06		
SCALE:	REVISION:	DRAWING NO.:	
1 : 2.25	D	HP25B014D	
SHEET	DWG. SIZE:		
1 of 1	D		

REV	CHANGE	BY	CHK	APR	DATE
D	UPDATED SECTION A-A & HOUSING COVER TO CANTED	CAW			08/13/06
C	CHANGED HP ADAPTOR/SPRING SIDE ADAPTOR PORT TO VENTS	CAW			04/15/06
	REMOVED REF. DIM. ON HP CAP NUT/EXTENDED OA DIM.				
B	UPDATED SECTION A-A & VIEW B-B	CAW			02/21/07