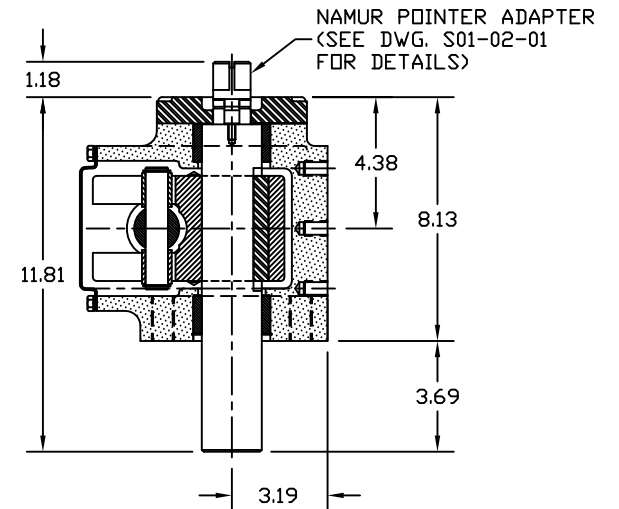
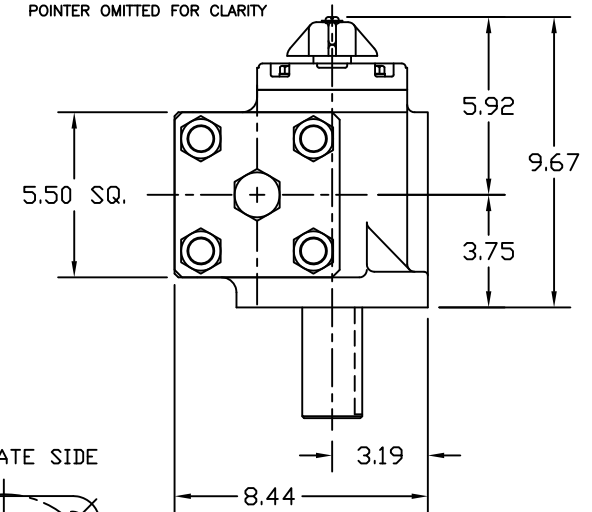
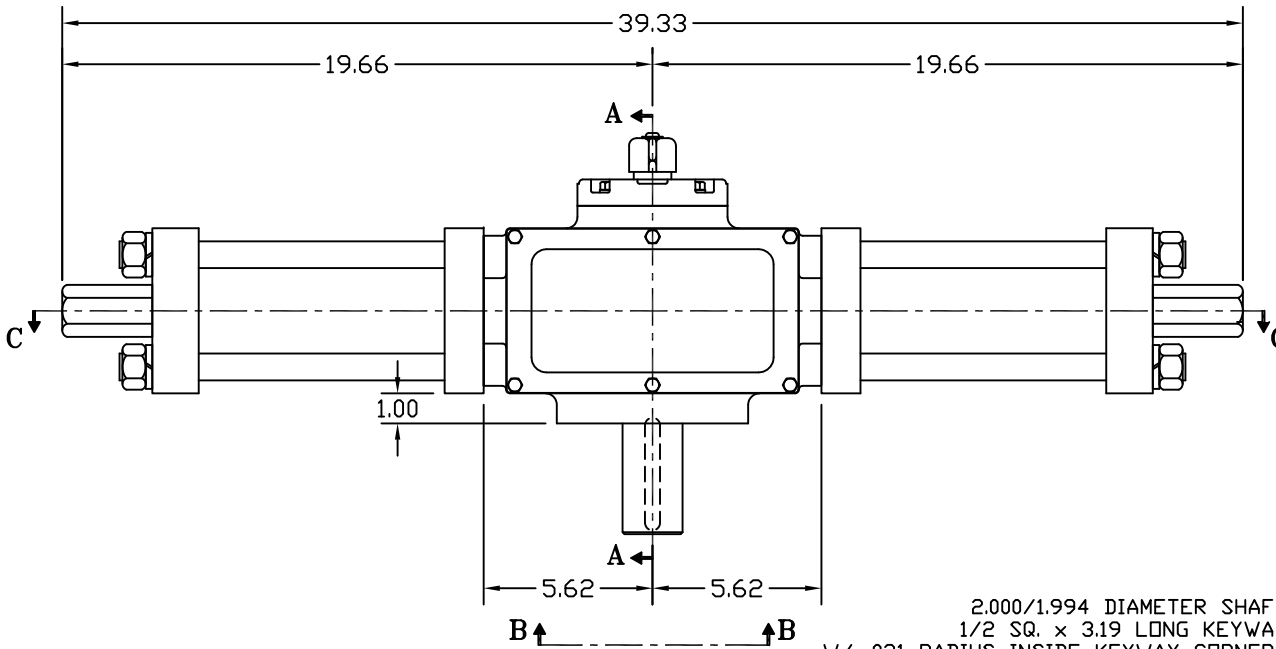


SECTION C-C



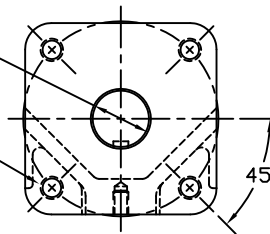
SECTION A-A
YOKE SHOWN AT MID-STROKE
POINTER OMITTED FOR CLARITY



2.000/1.994 DIAMETER SHAFT
1/2 SQ. x 3.19 LONG KEYWAY
W/ .031 RADIUS INSIDE KEYWAY CORNERS
(TO BE USED W/ 1/2" X 3 3/16" KEY)

3/4-10 UNC TAP x 1.18 DEEP
(4) PLACES AS SHOWN ON
6.50 DIAMETER BOLT CIRCLE

NAMEPLATE SIDE



VIEW B-B
ISO (F16) MOUNTING PATTERN

MORIN® Birmingham, AL					
TITLE: MODEL HP25UC-3-2DA ACTUATOR					
DRAWN BY:	DATE:	CHECKER:	DATE:	APPROVAL:	DATE:
CAW	08/22/06				
SCALE:	HALF	REVISION:	D	DRAWING NO.:	
SHEET	1 of 1	DWG. SIZE:	D	HP25B511D	

D	UPDATED SECTION A-A & HOUSING COVER TO CANTED	CAW			08/03/09
C	REMOVED REF. DIM. ON HP CAP NUT/EXTENDED OA DIM.	CAW			04/16/08
	CHANGED HP ADAPTOR PORTS TO VENTS				
B	UPDATED SECTION A-A & VIEW B-B	CAW			02/21/07
REV	CHANGE	BY	CHK	APR	DATE