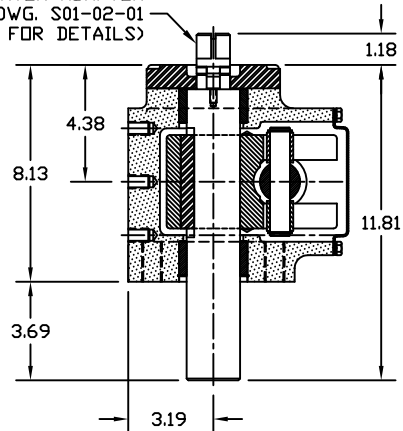
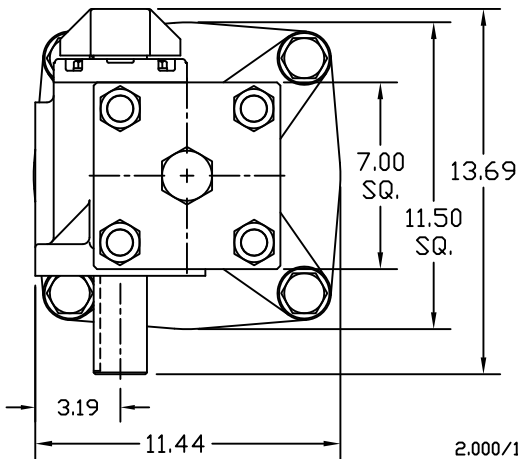
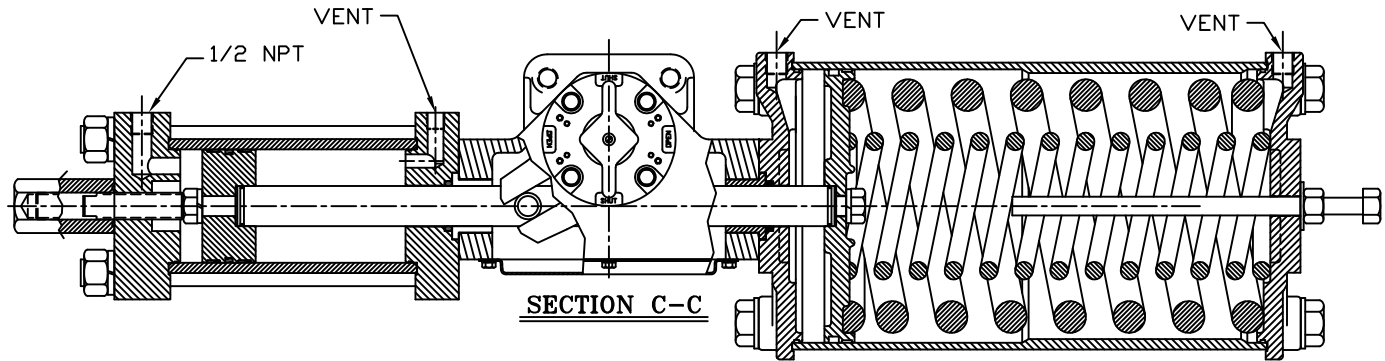


NAMUR POINTER ADAPTER  
(SEE DWG. S01-02-01  
FOR DETAILS)



**SECTION A-A**

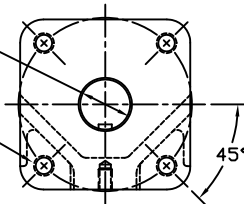
YOKE SHOWN AT MID-STROKE  
POINTER OMITTED FOR CLARITY



2.000/1.994 DIAMETER SHAFT  
1/2 SQ. x 3.19 LONG KEYWAY  
W/ .031 RADIUS INSIDE KEYWAY CORNERS  
(TO BE USED W/ 1/2" x 3 3/16" KEY)

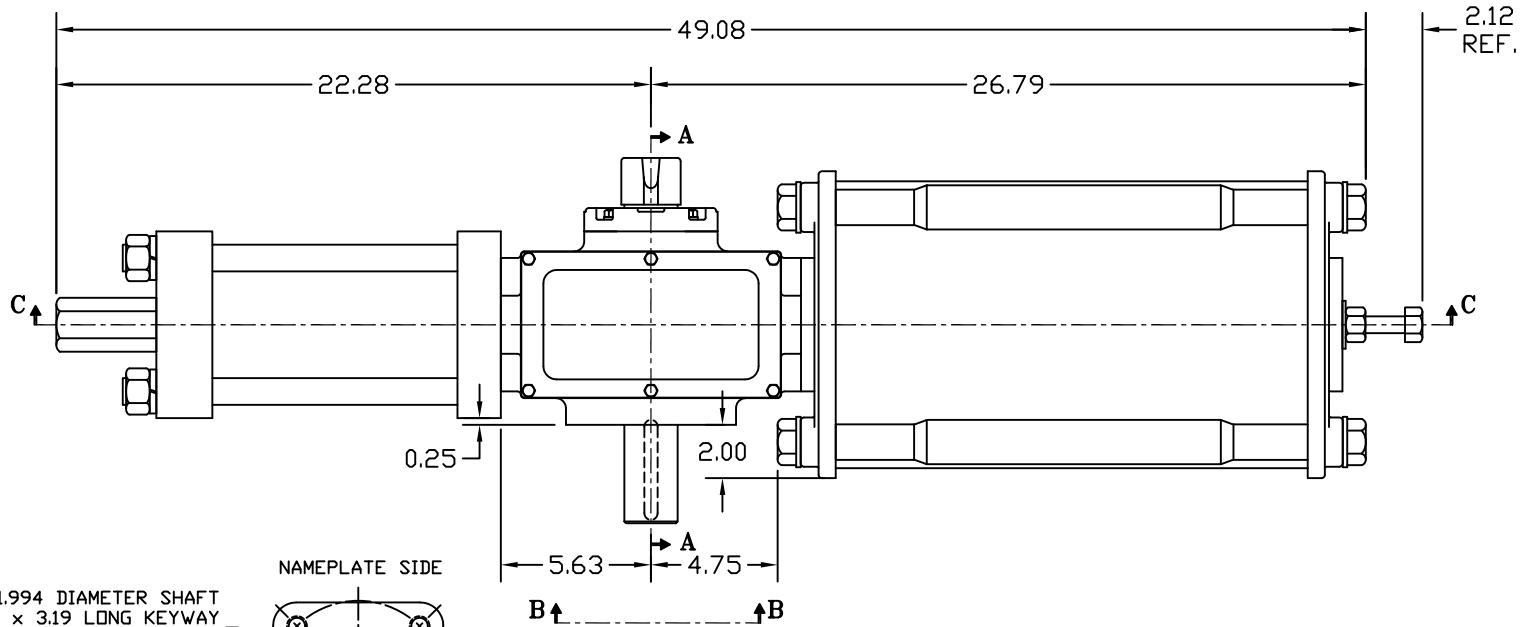
3/4-10 UNC TAP x 1.18 DEEP  
(4) PLACES AS SHOWN ON  
6.50 DIAMETER BOLT CIRCLE

NAMEPLATE SIDE



**VIEW B-B**

ISO (F16) MOUNTING PATTERN



D	UPDATED SECTION A-A & HOUSING COVER TO CANTED	CAW		08/03/09
C	CHANGED HP ADAPTOR PORT TO VENT	CAW		04/15/08
	REMOVED REF. DIM. FOR HP CAP NUT/EXTENDED O.A. DIM.			
B	UPDATED SECTION A-A & VIEW B-B	CAW		02/21/07
REV	CHANGE	BY	CHK	APR
				DATE

<b>MORIN</b>		MORIN Actuator	
www.morinact.com		110 Commerce Drive Pittman, Alabama, U.S.A. 35124 (205) 663-0533	
MODEL HP25UC-4-1-210S000 ACTUATOR			
DRAWN BY:	DATE:	CHECKED:	DATE:
CAW	08/22/06		
SCALE:	REVISION:	DRAWING NO.:	
FULL	D		
SHEET	DWG. SIZE:	HP25B012D	
1 of 1	D		