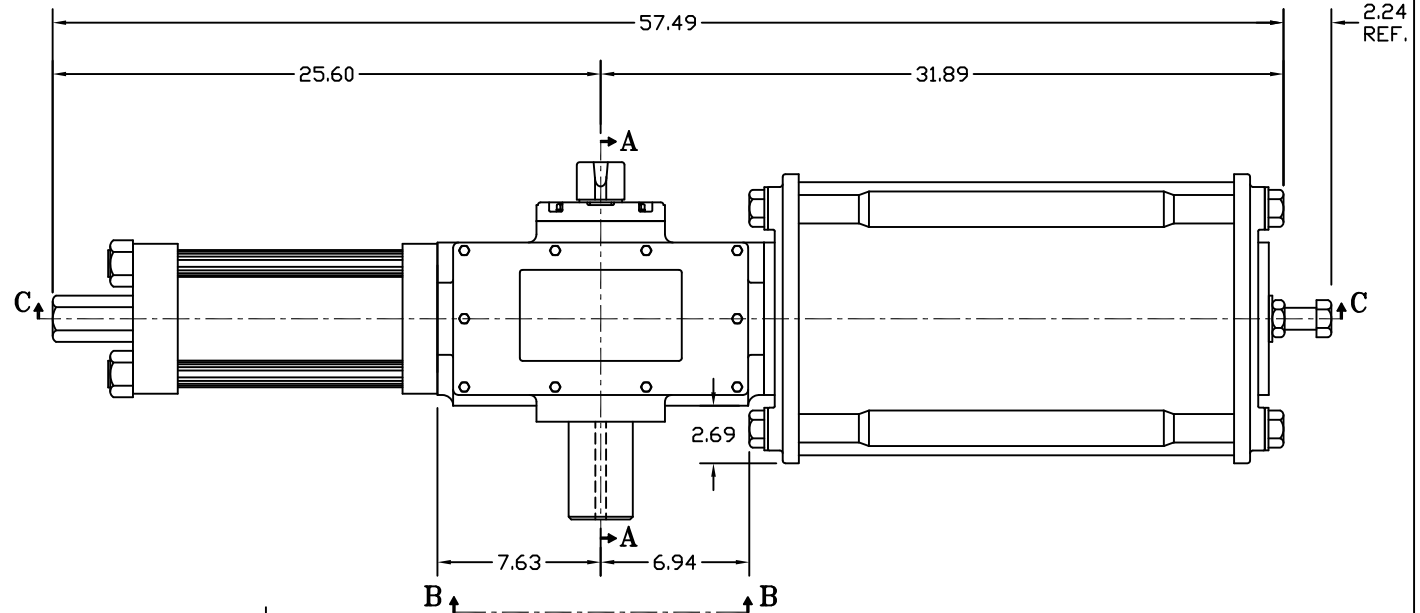
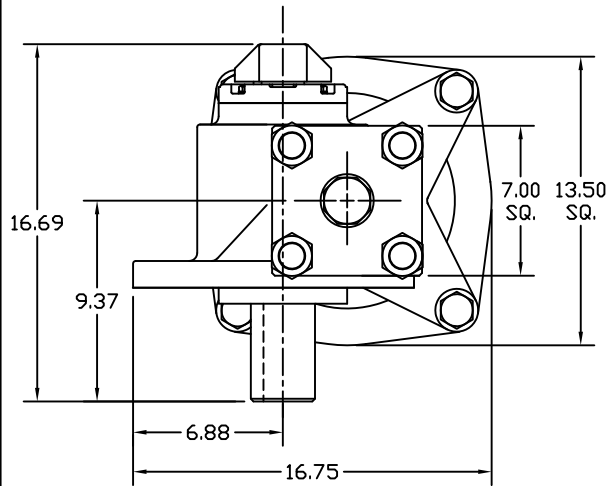
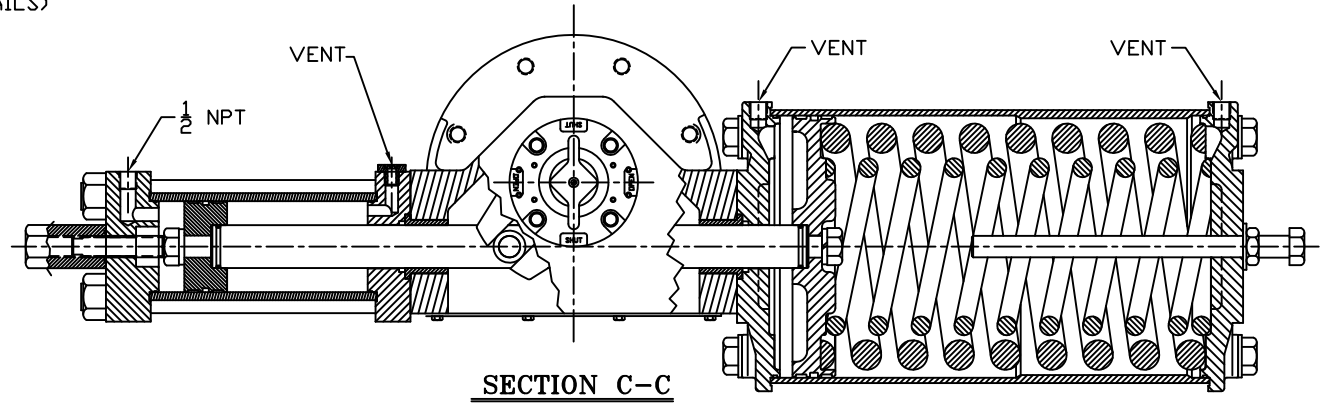
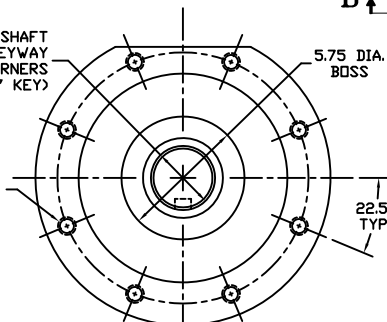


SECTION A-A
 YOKE SHOWN AT MID-STROKE
 POINTER OMITTED FOR CLARITY



3.000/2.994 DIAMETER SHAFT
 3/4 SQ. x 3.888 LONG KEYWAY
 W/ .031 RADIUS INSIDE KEYWAY CORNERS
 (TO BE USED W/ 3/4" X 3 13/16" KEY)

3/4-10 UNC TAP x 1.18 DEEP
 (8) PLACES AS SHOWN ON
 11.73 DIAMETER BOLT CIRCLE



View b-b
 ISO F30 MOUNTING PATTERN

E	UPDATED VIEW B-B	CAW			04/10/13
D	REMOVED REF. DIM. ON HP CAP NUT/EXTENDED ON DIM.	CAW			04/18/06
	CHANGED HP ADAPTOR/SRING SIDE ADAPTOR PORTS TO VENTS				
C	CORRECTED ENDCAP FROM 7.5 SQ. TO 7 SQ.	CAW			03/21/07
B	UPDATED SECTION A-A & VIEW B-B	CAW			02/21/07
REV	CHANGE	BY	CHK	APR	DATE

MORIN® Morin Actuator
110 Commerce Drive
Pelham, Alabama, U.S.A. 35124
(205) 663-9333

MODEL HP30U-4-1-740S000 ACTUATOR

DRAWN BY: **CAW** | DATE: **08/08/06** | CHECKED: | DATE: | APPROVED: | DATE: |

SCALE: **1 : 2.25** | REVISION: **E** | DRAWING NO.:

SHEET **1** OF **1** | DWG. SIZE: **E** | **HP30B002E**