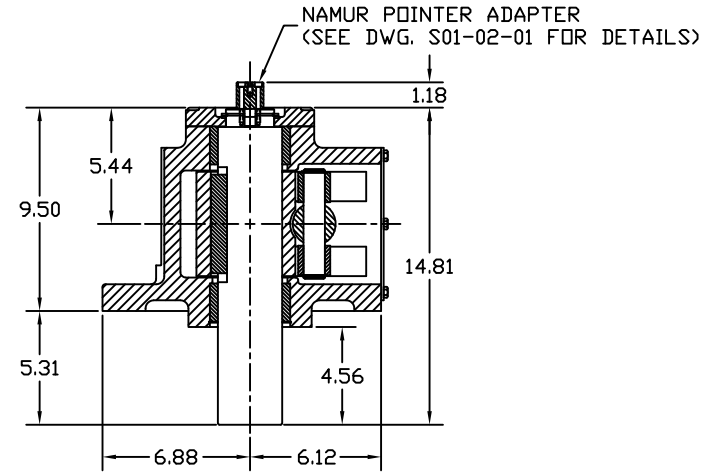
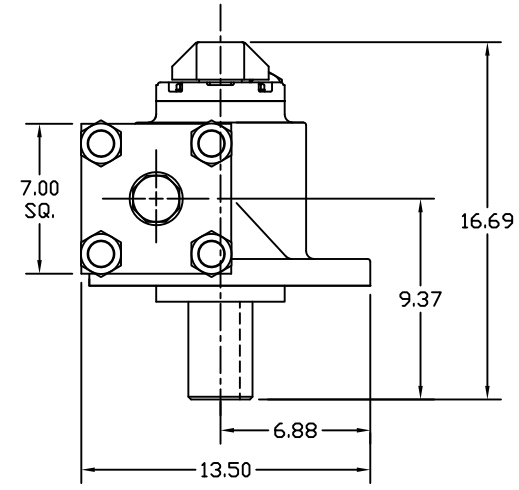
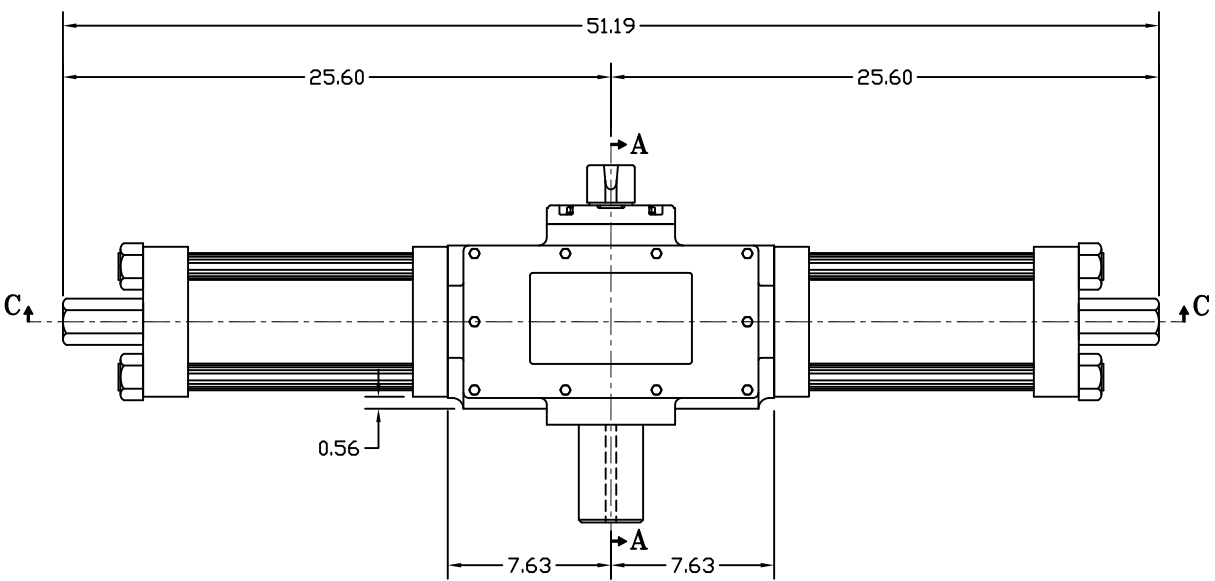


SECTION C-C

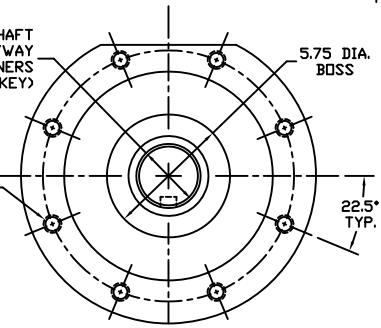


SECTION A-A
YOKE SHOWN AT MID-STROKE
POINTER OMITTED FOR CLARITY



3.000/2.994 DIAMETER SHAFT
3/4 SQ. x 3.88 LONG KEYWAY
W/ .031 RADIUS INSIDE KEYWAY CORNERS
(TO BE USED W/ 3/4" X 3 13/16" KEY)

3/4-10 UNC TAP x 1.18 DEEP
(8) PLACES AS SHOWN ON
11.73 DIAMETER BOLT CIRCLE



View b-b
ISO F30 MOUNTING PATTERN

E	UPDATED VIEW B-B	CAW		04/19/13
D	ELIMINATED REF. DIMENSION FROM HYD. CYL. CAP NUT	CAW		02/25/08
C	CORRECTED ENDCAP FROM 7.5 SQ. TO 7 SQ.	CAW		03/21/07
B	UPDATED SECTION A-A & VIEW B-B	CAW		02/21/07
REV	CHANGE	BY	CHK	APR DATE

MORIN® Model Actuator
110 Commerce Drive
Pelham, Alabama, U.S.A. 35124
(205) 662-9533
www.morinact.com

MODEL HP30U-4-2DA ACTUATOR

DRAWN BY: CAW	DATE: 08/07/06	CHECKED:	DATE:	APPROVED:	DATE:
SCALE: 1 : 2.25	REVISION: E	DRAWING NO.:			
SHEET 1 OF 1	DWG. SIZE: E	HP30B503E			