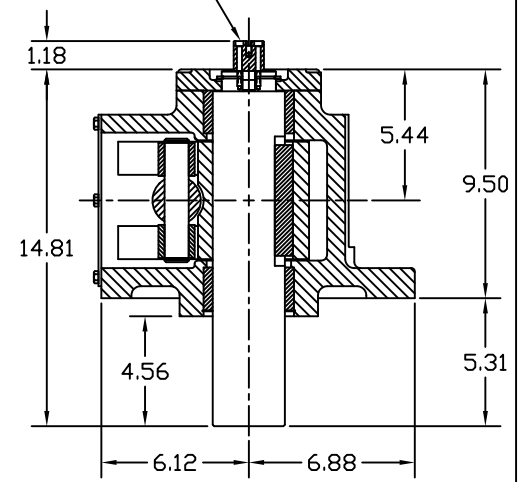
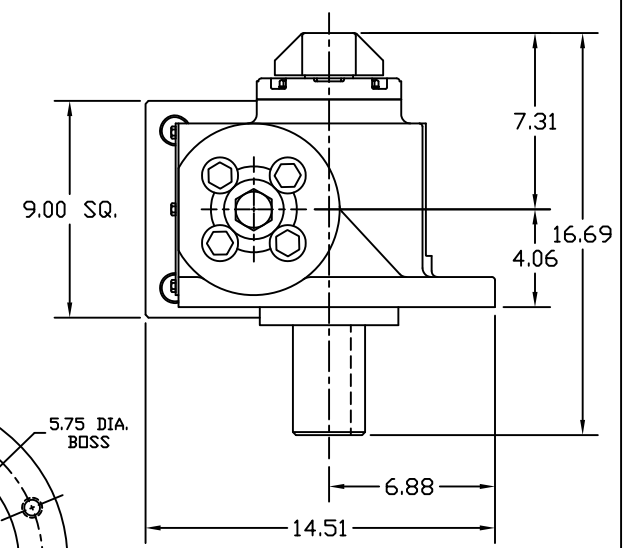
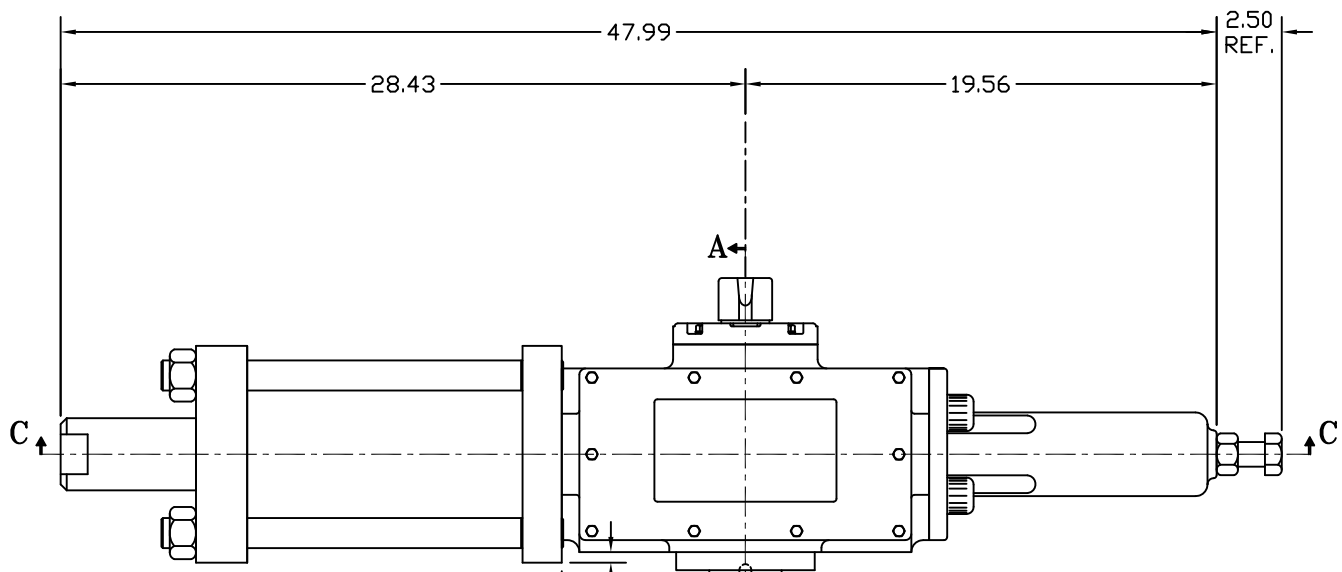


SECTION C-C

NAMUR POINTER ADAPTER
(SEE DWG. S01-02-01 FOR DETAILS)



Section a-a
YOKE SHOWN AT MID-STROKE
POINTER OMITTED FOR CLARITY



3.000/2.994 DIAMETER SHAFT
3/4 SQ. x 3.88 LONG KEYWAY
W/ .031 RADIUS INSIDE KEYWAY CORNERS
(TO BE USED W/ 3/4" X 3 13/16" KEY)

3/4-10 UNC TAP x 1.18 DEEP
(B) PLACES AS SHOWN ON
11.73 DIAMETER BOLT CIRCLE

View b-b
ISO F30 MOUNTING PATTERN

REV	DESCRIPTION	BY	CHK	APR	DATE
D	UPDATED VIEW B-B	CAW			04/19/13
C	ELIMINATED REF. DIMENSION ON HYD. CYL. CAP NUT	CAW			02/25/08
B	UPDATED SECTION A-A & VIEW B-B	CAW			02/21/07
	CHANGE				

MORIN Birmingham, AL					
TITLE: MODEL HP30U-6-1DA ACTUATOR					
DRAWN BY:	DATE:	CHECKER:	DATE:	APPROVAL:	DATE:
CAW	08/07/06				
SCALE:	FULL	REVISION:	D	DRAWING NO.:	
SHEET	1 of 1	DWG. SIZE:	E	HP30B501D	