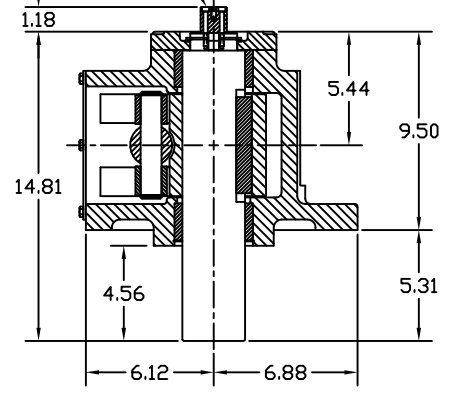
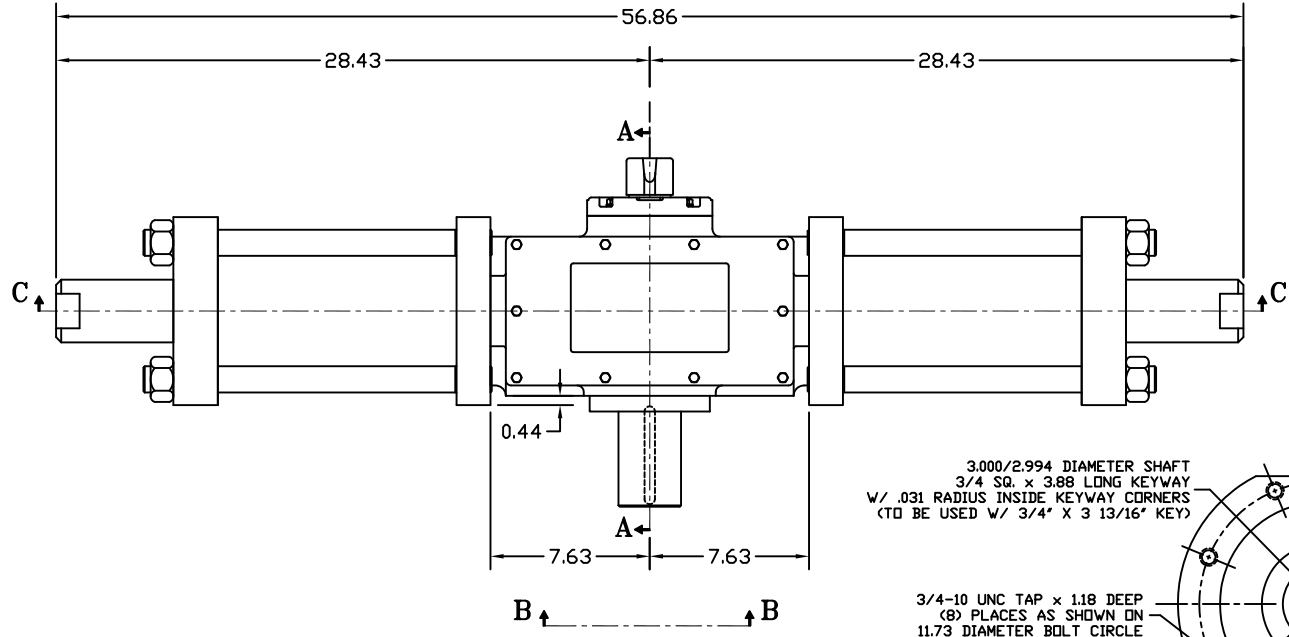


NAMUR POINTER ADAPTER
(SEE DWG. S01-02-01 FOR DETAILS)

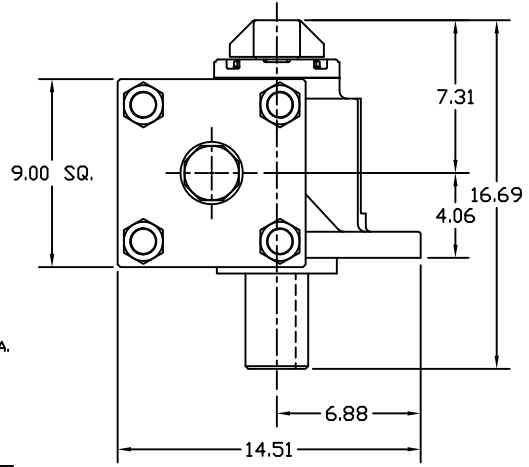
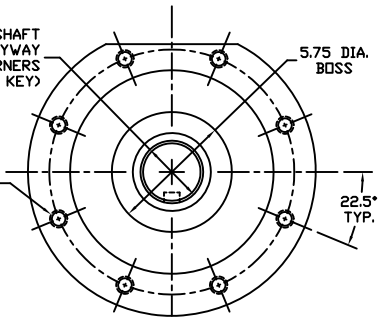


Section a-a
YOKE SHOWN AT MID-STROKE
POINTER OMITTED FOR CLARITY



3.000/2.994 DIAMETER SHAFT
3/4 SQ. x 3.88 LONG KEYWAY
W/ .031 RADIUS INSIDE KEYWAY CORNERS
(TO BE USED W/ 3/4" X 3 13/16" KEY)

3/4-10 UNC TAP x 1.18 DEEP
(8) PLACES AS SHOWN ON
11.73 DIAMETER BOLT CIRCLE



View b-b
ISO F30 MOUNTING PATTERN

REV	CHANGE	BY	CHK	APR	DATE
D	UPDATED VIEW B-B	CAW			04/19/13
C	ELIMINATED REF. DIMENSION ON HYD. CYL. CAP NUT	CAW			02/25/08
B	UPDATED SECTION A-A & VIEW B-B	CAW			02/21/07

MORIN[®] MorIn Actuator
310 Commerce Drive
Pellham, Alabama, U.S.A. 35124
(205) 663-0533

MODEL HP30U-6-2DA ACTUATOR

DRAWN BY:	DATE:	CHECKED:	DATE:	APPROVED:	DATE:
CAW	08/07/06				

SCALE: 1:2.875 REVISION: D DRAWING NO.: HP30B504D

SHEET 1 OF 1 DWG. SIZE: D