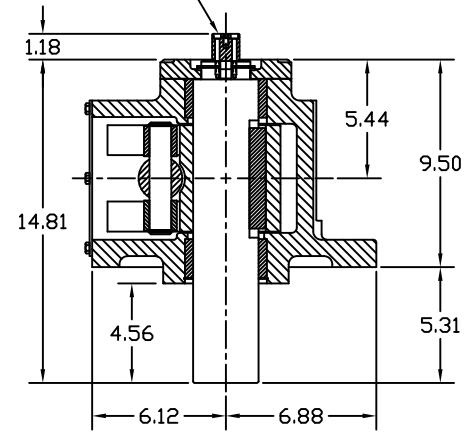


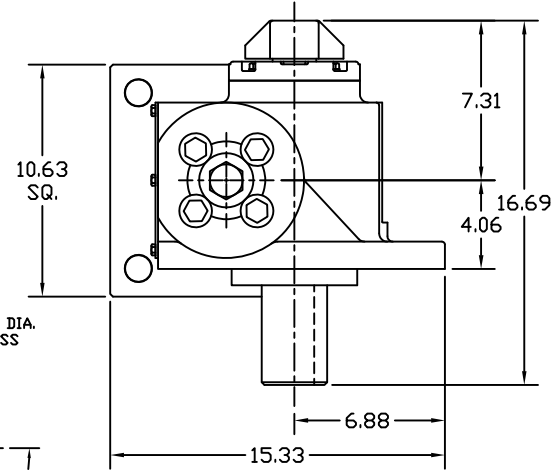
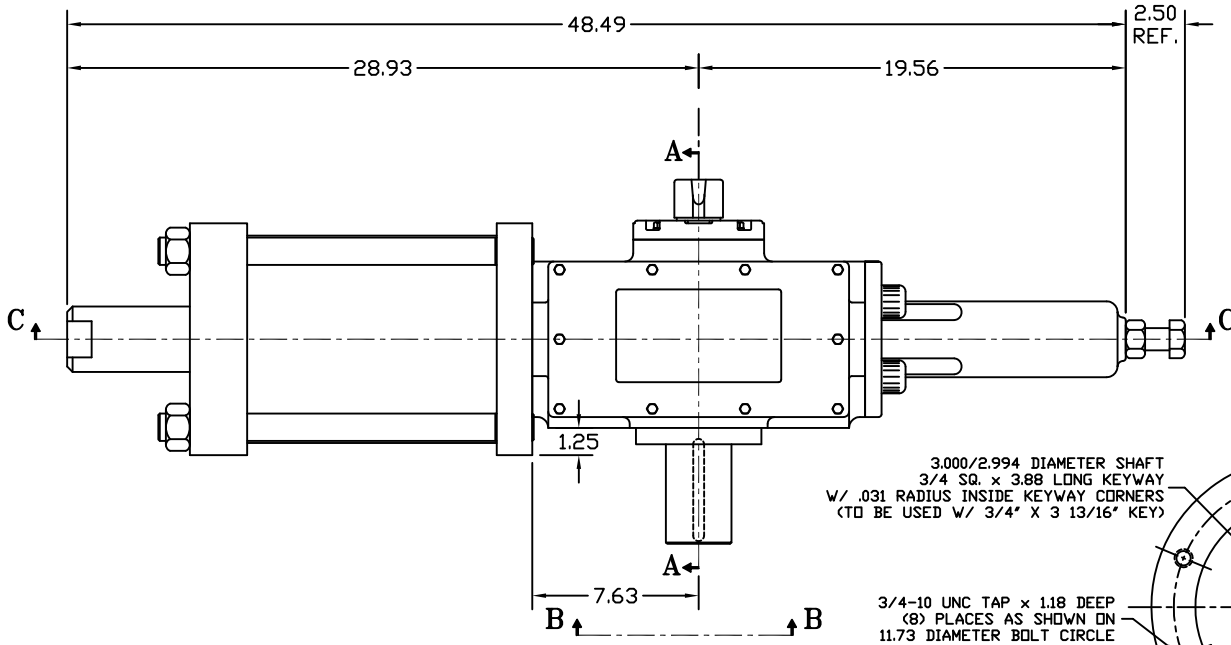
SECTION C-C

NAMUR POINTER ADAPTER
(SEE DWG. S01-02-01 FOR DETAILS)



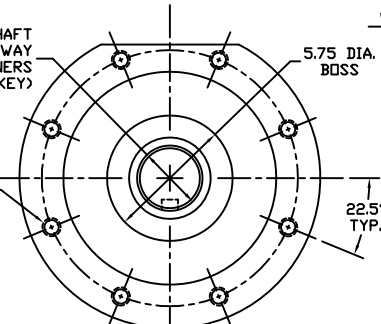
Section a-a

YOKE SHOWN AT MID-STROKE
POINTER OMITTED FOR CLARITY



3.000/2.994 DIAMETER SHAFT
3/4 SQ. x 3.88 LONG KEYWAY
W/ .031 RADIUS INSIDE KEYWAY CORNERS
(TO BE USED W/ 3/4" X 3 13/16" KEY)

3/4-10 UNC TAP x 1.18 DEEP
(8) PLACES AS SHOWN ON
11.73 DIAMETER BOLT CIRCLE



View b-b

ISO F30 MOUNTING PATTERN

MORIN®		MorIn Actuator	
www.morinact.com		110 Commerce Drive Pittman, Alabama, U.S.A. 35124 (205) 663-0533	
MODEL HP30U-8-1DA ACTUATOR			
DRAWN BY:	DATE:	CHECKED:	DATE:
CAW	08/07/06		
SCALE:	FULL	REVISION:	D
SHEET	1 of 1	DWG. SIZE:	D
DRAWING NO.:		HP30B502D	

REV	CHANGE	BY	CHK	APR	DATE
D	UPDATED VIEW B-B	CAW			04/19/13
C	ELIMINATED REF. DIMENSION ON HYD. CYL. CAP NUT	CAW			02/25/08
B	UPDATED SECTION A-A & VIEW B-B	CAW			02/21/07