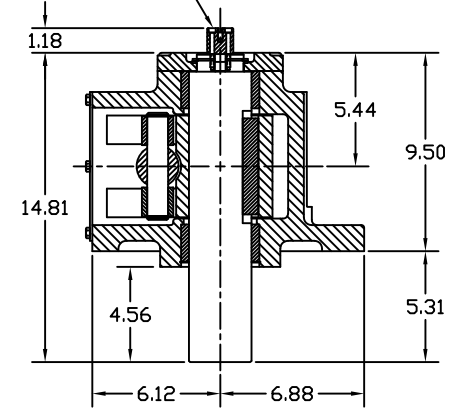
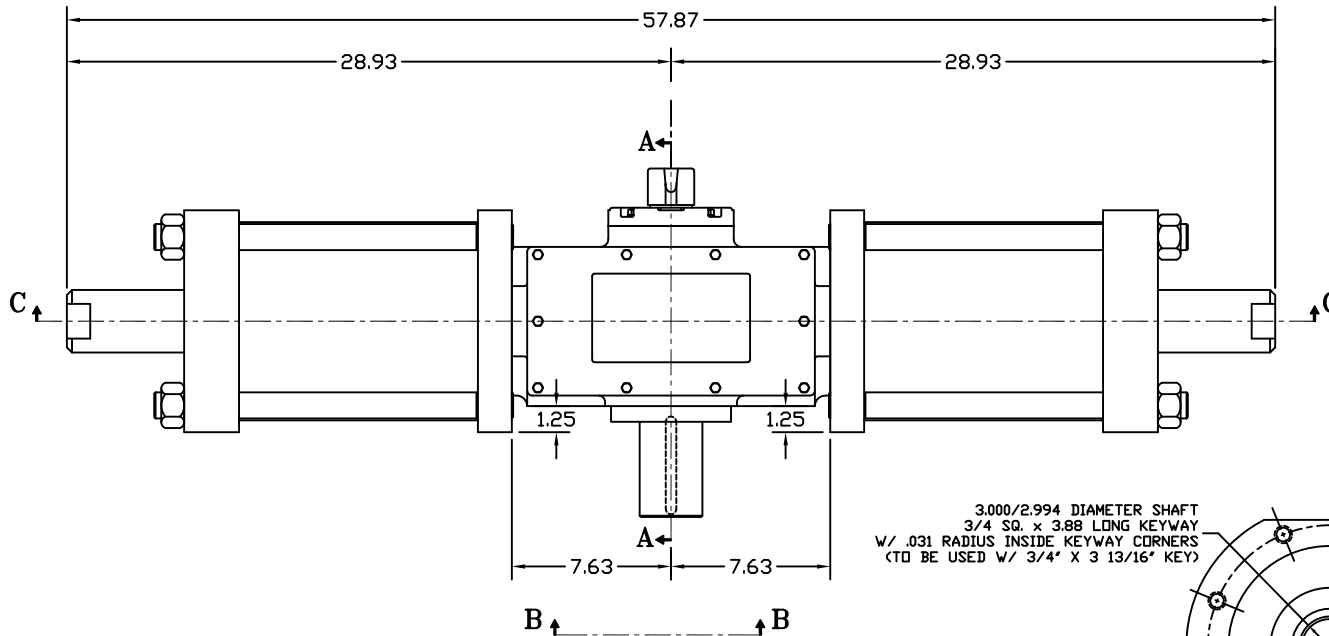


NAMUR POINTER ADAPTER  
(SEE DWG. S01-02-01 FOR DETAILS)

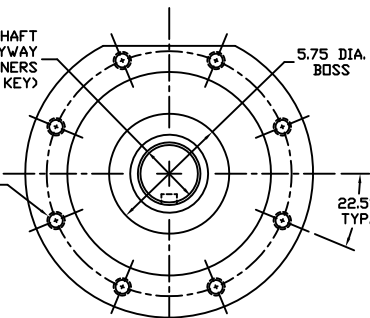


**Section a-a**  
YOKE SHOWN AT MID-STROKE  
POINTER OMITTED FOR CLARITY

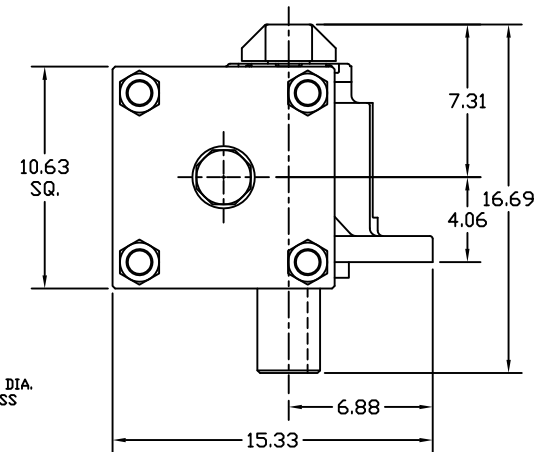


3.000/2.994 DIAMETER SHAFT  
3/4 SQ. x 3.88 LONG KEYWAY  
W/ .031 RADIUS INSIDE KEYWAY CORNERS  
(TO BE USED W/ 3/4" X 3 13/16" KEY)

3/4-10 UNC TAP x 1.18 DEEP  
(8) PLACES AS SHOWN ON  
11.73 DIAMETER BOLT CIRCLE



**View b-b**  
ISO F30 MOUNTING PATTERN



|                                   |            |  |       |
|-----------------------------------|------------|--|-------|
| <b>MORIN</b><br>www.morinact.com  |            | Morin Actuator<br>110 Commerce Drive<br>Pellham, Alabama, U.S.A. 35124<br>(205) 663-0533 |       |
| <b>MODEL HP30U-8-2DA ACTUATOR</b> |            |  |       |
| DRAWN BY:                         | DATE:      | CHECKED:   | DATE: |
| CAW                               | 08/07/06   |  |       |
| SCALE:                            | REVISION:  | DRAWING NO.:   |       |
| 1:2.875                           | D          | HP30B505D  |       |
| SHEET                             | DWG. SIZE: |  |       |
| 1 of 1                            | D          |  |       |

| REV | CHANGE   | BY  | CHK | APR | DATE     |
|-----|--|-----|-----|-----|----------|
| D   | UPDATED VIEW B-B                               | CAW |     |     | 04/22/13 |
| C   | ELIMINATED REF. DIMENSION ON HYD. CYL. CAP NUT | CAW |     |     | 02/25/08 |
| B   | UPDATED SECTION A-A & VIEW B-B                 | CAW |     |     | 02/21/07 |