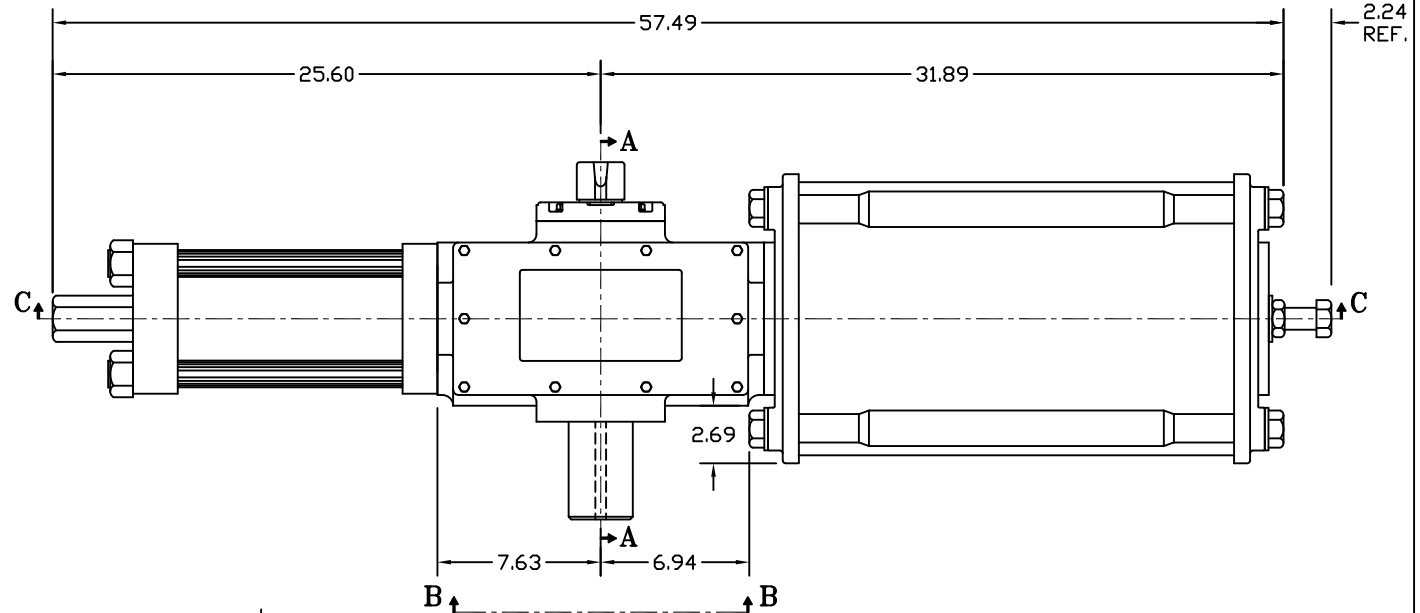
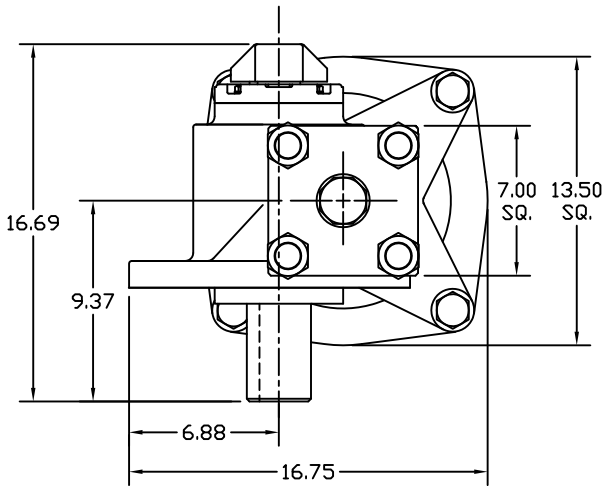
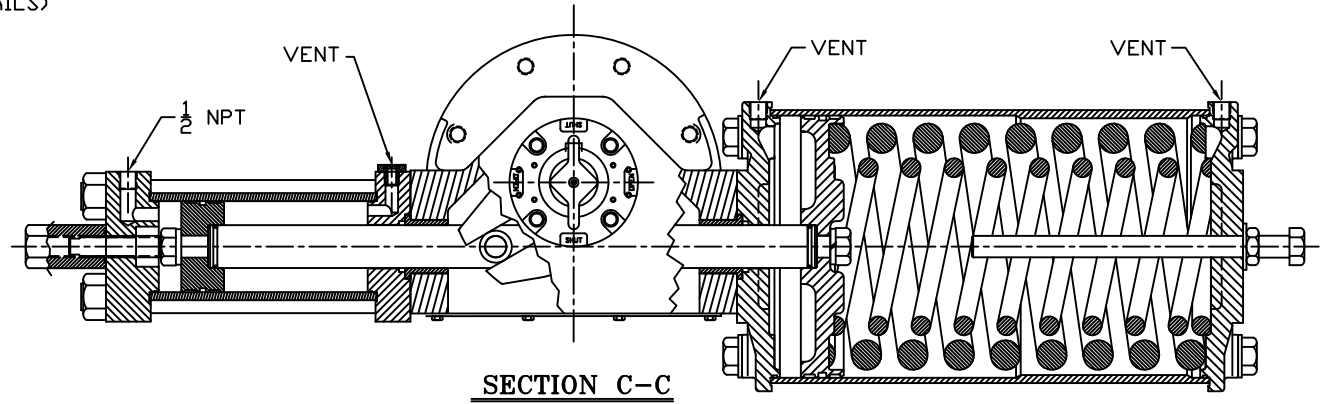
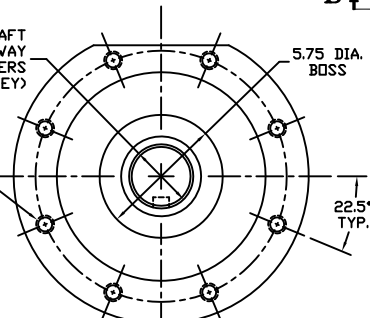


SECTION A-A
YOKE SHOWN AT MID-STROKE
POINTER OMITTED FOR CLARITY



3.000/2.994 DIAMETER SHAFT
3/4 SQ. x 3.88 LONG KEYWAY
W/ .031 RADIUS INSIDE KEYWAY CORNERS
(TO BE USED W/ 3/4" X 3 13/16" KEY)

3/4-10 UNC TAP x 1.18 DEEP
(8) PLACES AS SHOWN ON
11.73 DIAMETER BOLT CIRCLE



View b-b
ISO F30 MOUNTING PATTERN

E	UPDATED VIEW B-B	CAW		04/15/13
D	REMOVED REF. DIM. ON HP CAP NUT/EXTENDED ON DIM.	CAW		04/21/06
	CHANGED HP ADAPTOR/SRING SIDE PORTS TO VENTS			
C	CORRECTED ENDCAP FROM 7.5 SQ. TO 7 SQ.	CAW		03/21/07
B	UPDATED SECTION A-A & VIEW B-B	CAW		02/21/07
REV	CHANGE	BY	CHK	APR DATE

MORIN®		Morin Actuator 110 Commerce Drive Pelham, Alabama, U.S.A. 35124 (205) 663-9533	
MODEL HP30UC-4-1-370S000 ACTUATOR			
DRAWN BY:	DATE:	CHECKED:	DATE:
CAW	08/23/06		
SCALE:	REVISION:	DRAWING NO.:	
1 : 2.25	E		
SHEET	DWG. SIZE:	HP30B009E	
1 of 1	E		