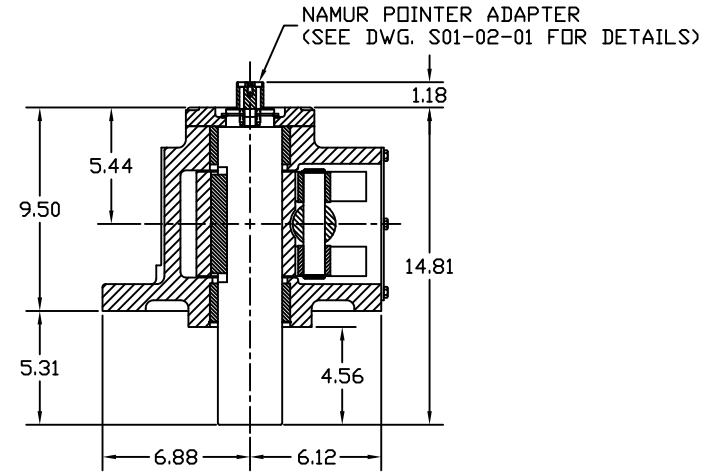
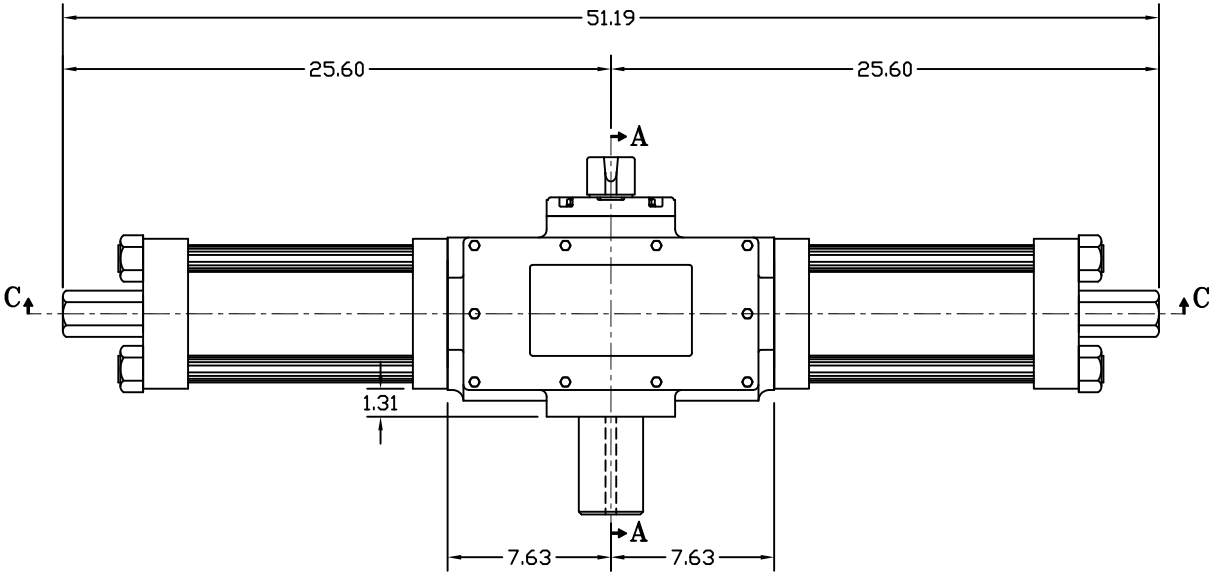


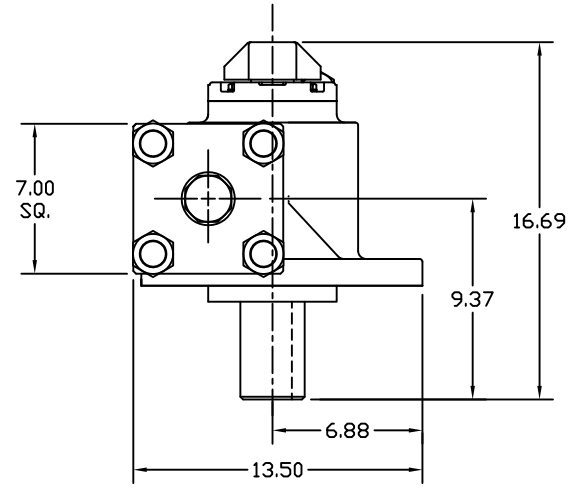
SECTION C-C



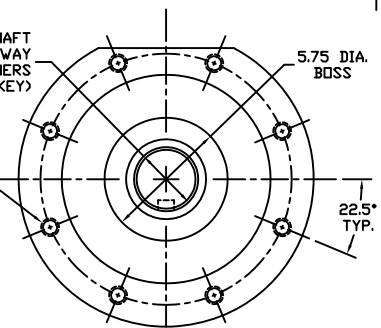
SECTION A-A
YOKE SHOWN AT MID-STROKE
POINTER OMITTED FOR CLARITY



3.000/2.994 DIAMETER SHAFT
3/4 SQ. x 3.88 LONG KEYWAY
W/ .031 RADIUS INSIDE KEYWAY CORNERS
(TO BE USED W/ 3/4" X 3 13/16" KEY)



3/4-10 UNC TAP x 1.18 DEEP
(8) PLACES AS SHOWN ON
11.73 DIAMETER BOLT CIRCLE



View b-b
ISO F30 MOUNTING PATTERN

REV	DESCRIPTION	BY	CHK	APR	DATE
E	UPDATED VIEW B-B	CAW			04/22/13
D	REMOVED REF. DIM. ON HP CAP NUT/EXTENDED ON DIM.	CAW			04/22/08
C	CORRECTED ENDCAP FROM 7.5 SQ. TO 7 SQ.	CAW			03/21/07
B	UPDATED SECTION A-A & VIEW B-B	CAW			02/21/07

MORIN® Motion Actuator
110 Commerce Drive
Pelham, Alabama, U.S.A. 35124
(205) 862-9533
www.morinact.com

MODEL HP30UC-4-2DA ACTUATOR

DRAWN BY: CAW | DATE: 08/23/06 | CHECKED: | DATE: | APPROVED: | DATE: |

SCALE: 1 : 2.25 | REVISION: E | DRAWING NO.: HP30B509E

SHEET 1 OF 1 | DWG. SIZE: E