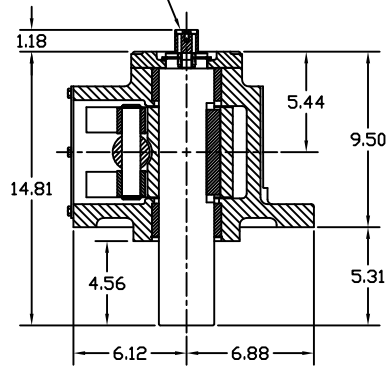
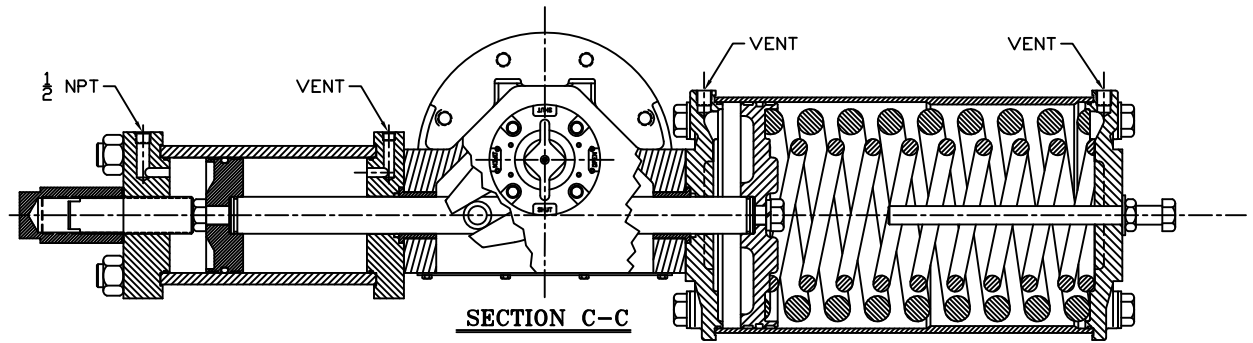


NAMUR POINTER ADAPTER  
(SEE DWG. S01-02-01  
FOR DETAILS)

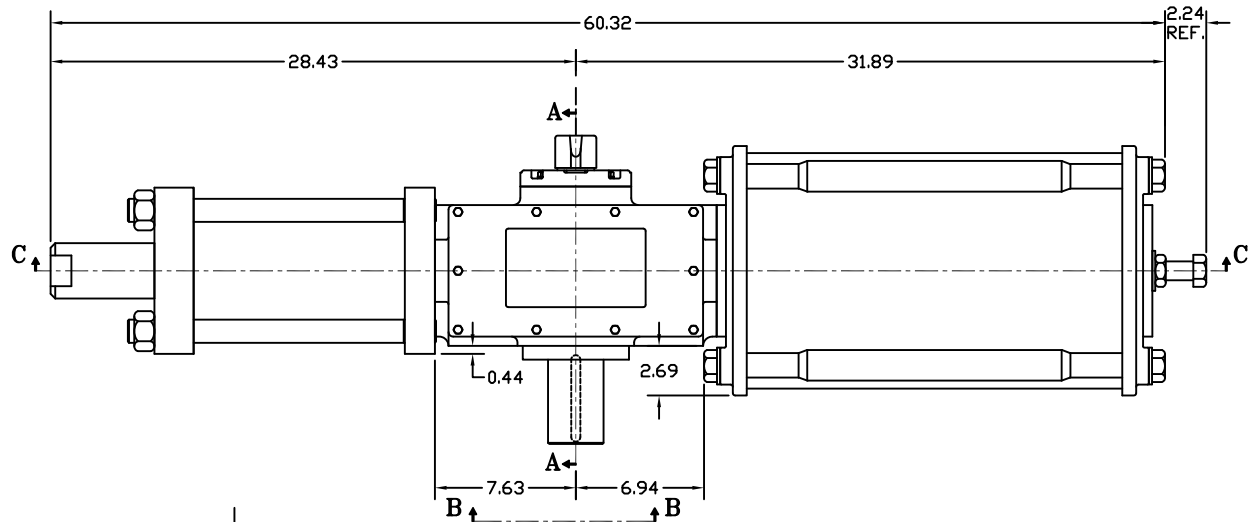
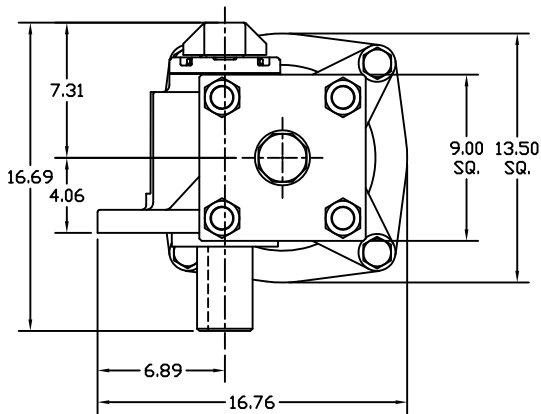


**Section a-a**

YOKE SHOWN AT MID-STROKE  
POINTER OMITTED FOR CLARITY



**SECTION C-C**

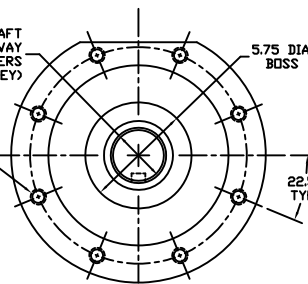


3.000/2.994 DIAMETER SHAFT  
3/4 SQ. x 3.88 LONG KEYWAY  
W/ .031 RADIUS INSIDE KEYWAY CORNERS  
(TO BE USED W/ 3/4" X 3 13/16" KEY)

5.75 DIA.  
BOSS

3/4-10 UNC TAP x 1.18 DEEP  
(8) PLACES AS SHOWN DN  
11.73 DIAMETER BOLT CIRCLE

22.5°  
TYP.



**View b-b**

ISO F30 MOUNTING PATTERN

<b>MORIN®</b>		MorIn Actuator	
www.morinact.com		110 Commerce Drive Pittman, Alabama, U.S.A. 35124 (205) 663-0533	
<b>MODEL HP30UC-6-1-740S000 ACTUATOR</b>			
DRAWN BY:	DATE:	CHECKED:	DATE:
CAW	08/23/06		
SCALE:	REVISION:	DRAWING NO.:	
1 : 3.25	D		
SHEET	DWG. SIZE:	HP30B012D	
1 of 1	D		

D	UPDATED VIEW B-B	CAW		04/18/13
C	REMOVED REF. DIM. ON HP CAP NUT/EXTENDED OA DIM. CHANGED HP ADAPTOR/SPRING SIDE ADAPTOR PORTS TO DIMS	CAW		04/21/08
B	UPDATED SECTION A-A & VIEW B-B	CAW		02/21/07
REV	CHANGE	BY	CHK	APR
				DATE