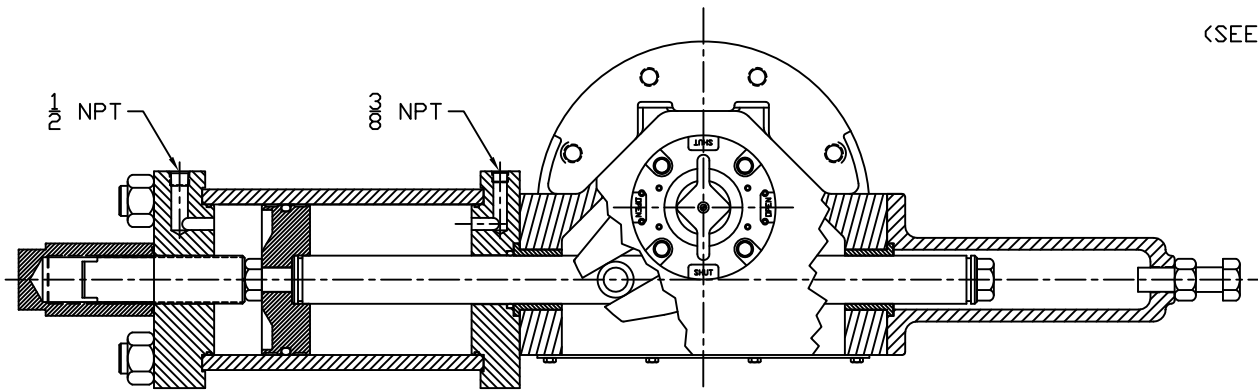
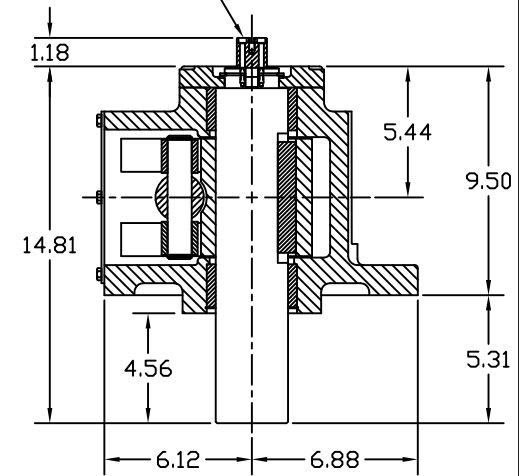


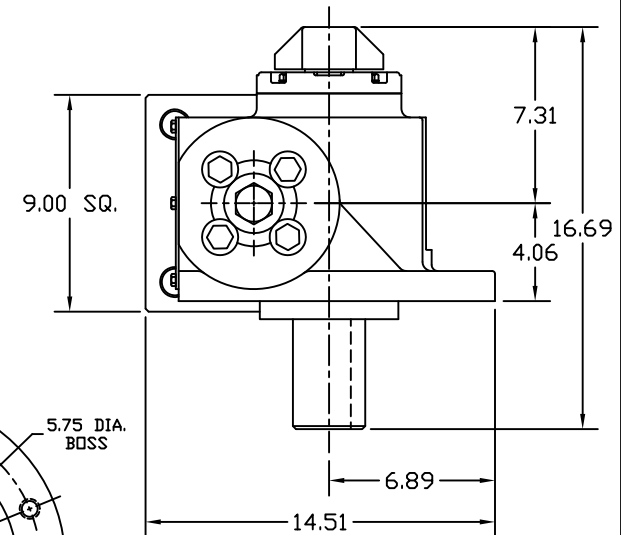
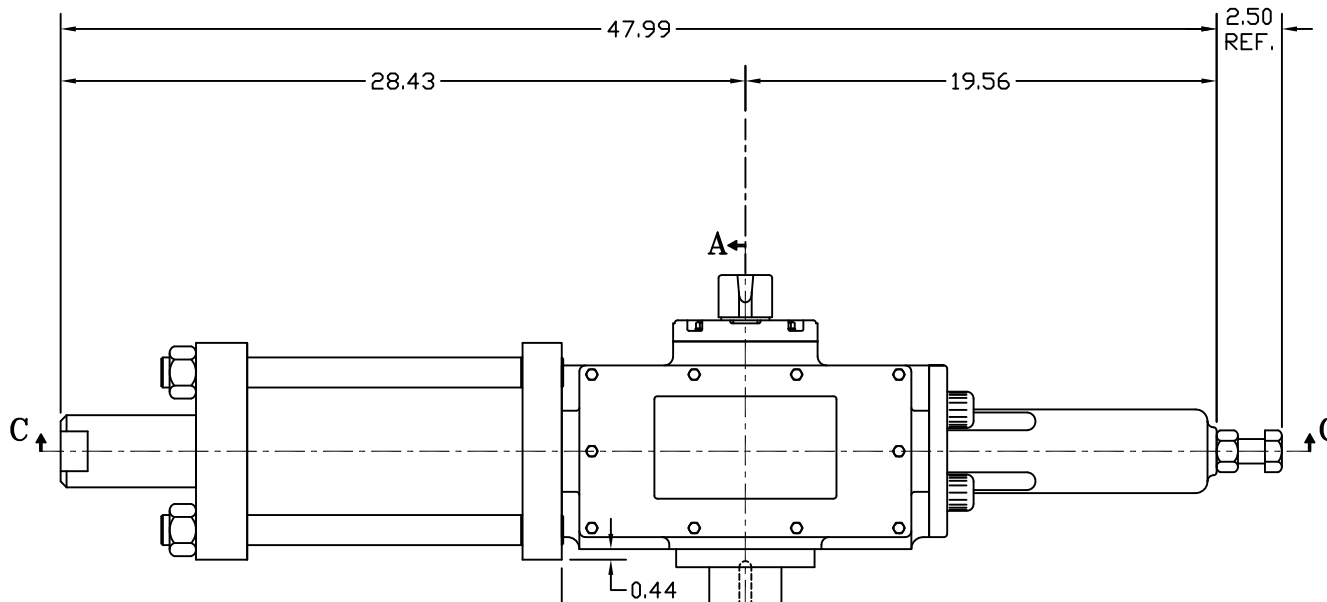
NAMUR POINTER ADAPTER
(SEE DWG. S01-02-01 FOR DETAILS)



SECTION C-C



Section a-a
YOKE SHOWN AT MID-STROKE
POINTER OMITTED FOR CLARITY



3.000/2.994 DIAMETER SHAFT
3/4 SQ. x 3.88 LONG KEYWAY
W/ .031 RADIUS INSIDE KEYWAY CORNERS
(TO BE USED W/ 3/4" X 3 13/16" KEY)

3/4-10 UNC TAP x 1.18 DEEP
(8) PLACES AS SHOWN ON
11.73 DIAMETER BOLT CIRCLE

View b-b

ISO F30 MOUNTING PATTERN

MORIN Birmingham, AL			
TITLE: MODEL HP30UC-6-1DA ACTUATOR			
DRAWN BY: CAW	DATE: 08/23/06	CHECKER:	DATE:
APPROVAL:	DATE:	DRAWING NO.:	
SCALE: FULL	REVISION: D	DRAWING NO.:	
SHEET 1 of 1	DWG. SIZE: E	HP30B507D	

REV	DESCRIPTION	BY	CHK	APR	DATE
D	UPDATED VIEW B-B	CAW			04/22/13
C	REMOVED REF. DIM. ON HP CAP NUT/EXTENDED ON DIM.	CAW			04/22/06
B	UPDATED SECTION A-A & VIEW B-B	CAW			02/21/07
	CHANGE	BY	CHK	APR	DATE