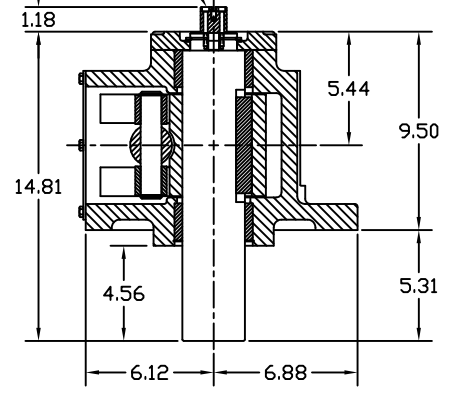
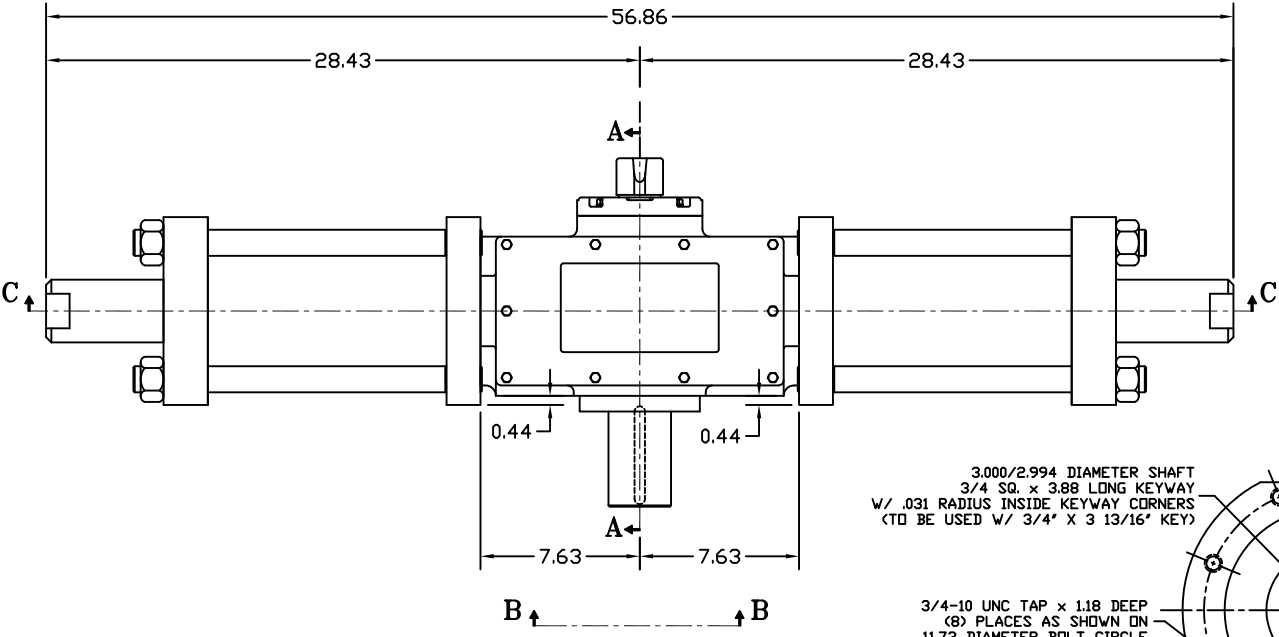


NAMUR POINTER ADAPTER  
(SEE DWG. S01-02-01 FOR DETAILS)

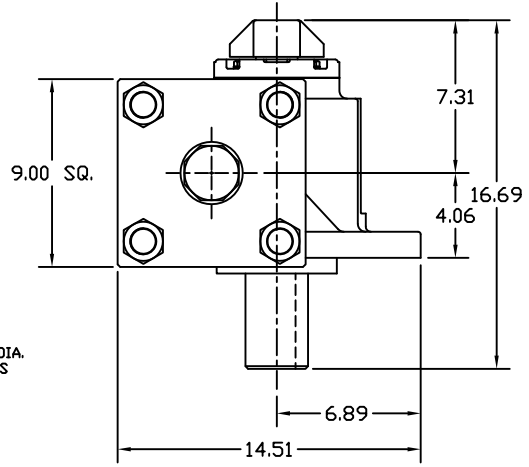
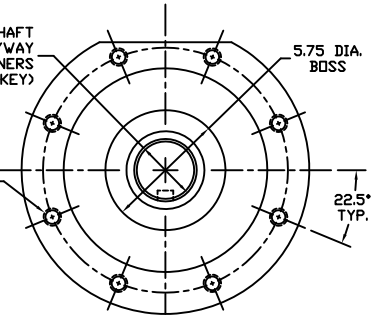


**Section a-a**  
YOKE SHOWN AT MID-STROKE  
POINTER OMITTED FOR CLARITY



3.000/2.994 DIAMETER SHAFT  
3/4 SQ. x 3.88 LONG KEYWAY  
W/ .031 RADIUS INSIDE KEYWAY CORNERS  
(TO BE USED W/ 3/4' X 3 13/16' KEY)

3/4-10 UNC TAP x 118 DEEP  
(8) PLACES AS SHOWN ON  
11.73 DIAMETER BOLT CIRCLE



**View b-b**  
ISO F30 MOUNTING PATTERN

|                                    |          |  |       |
|------------------------------------|----------|--|-------|
| <b>MORIN®</b>                      |          | Morin Actuator<br>110 Commerce Drive<br>Pellham, Alabama, U.S.A. 35124<br>(205) 663-0533 |       |
| <b>MODEL HP30UC-6-2DA ACTUATOR</b> |          |  |       |
| DRAWN BY:                          | DATE:    | CHECKED:   | DATE: |
| CAW                                | 08/23/06 |  |       |
| SCALE:                             | 1:2.875  | REVISION:  | D     |
| SHEET:                             | 1 OF 1   | DWG. SIZE:   | D     |
|                                    |          | DRAWING NO.:<br><b>HP30B510D</b>   |       |

|     |   |     |     |          |
|-----|---|-----|-----|----------|
| D   | UPDATED VIEW B-B  | CAW |     | 04/22/13 |
| C   | REMOVED REF. DIM. ON HP CAP NUT/EXTENDED OA DIM.<br>CHANGED HP ADAPTOR PORTS TO VENTS | CAW |     | 04/22/08 |
| B   | UPDATED SECTION A-A & VIEW B-B  | CAW |     | 02/21/07 |
| REV | CHANGE  | BY  | CHK | APR      |
|     |   |     |     | DATE     |