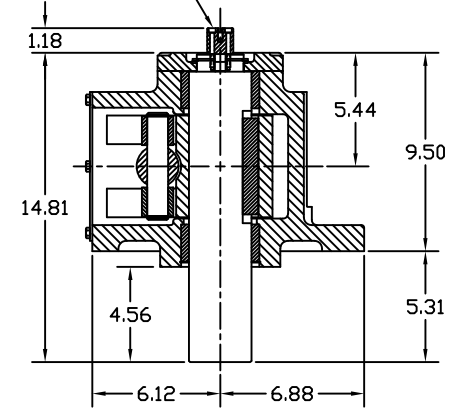
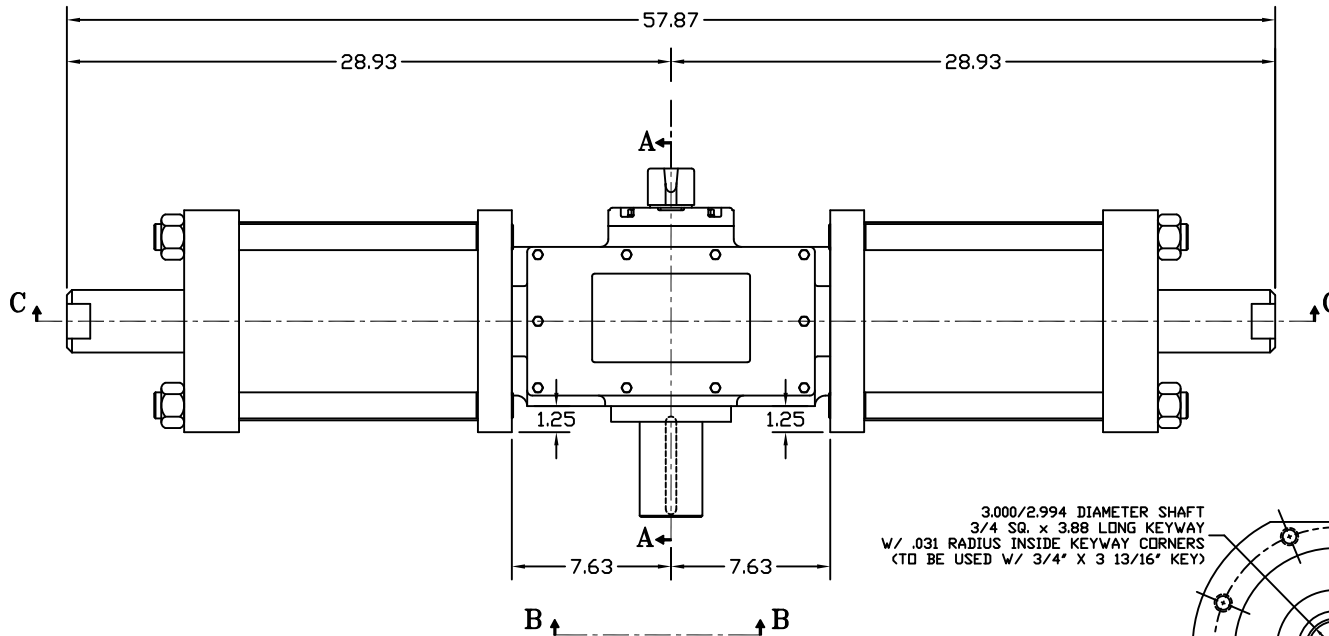


NAMUR POINTER ADAPTER  
(SEE DWG. S01-02-01 FOR DETAILS)

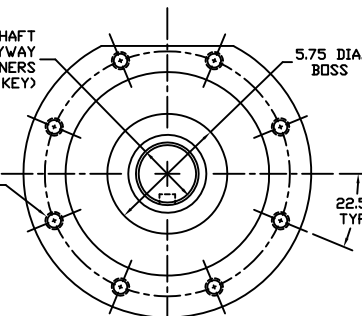


**Section a-a**  
YOKE SHOWN AT MID-STROKE  
POINTER OMITTED FOR CLARITY

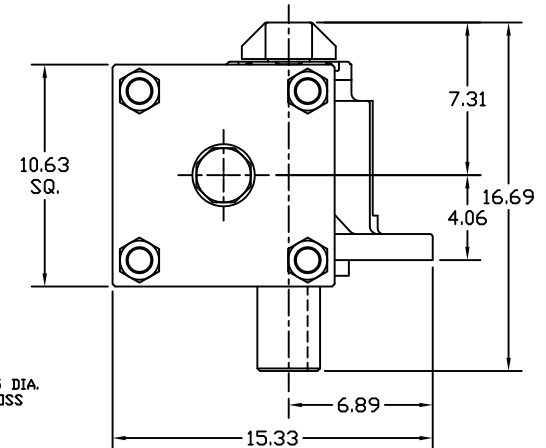


3.000/2.994 DIAMETER SHAFT  
3/4 SQ. x 3.88 LONG KEYWAY  
W/ .031 RADIUS INSIDE KEYWAY CORNERS  
(TO BE USED W/ 3/4" x 3 13/16" KEY)

3/4-10 UNC TAP x 1.18 DEEP  
(8) PLACES AS SHOWN ON  
11.73 DIAMETER BOLT CIRCLE



**View b-b**  
ISO F30 MOUNTING PATTERN



<b>MORIN</b> www.morinact.com		Morin Actuator 110 Commerce Drive Pellham, Alabama, U.S.A. 35124 (205) 663-0533	
<b>MODEL HP30UC-8-2DA ACTUATOR</b>			
DRAWN BY:	DATE:	CHECKED:	DATE:
CAW	08/23/06		
SCALE:	1:2.875	REVISION:	D
SHEET:	1 OF 1	DWG. SIZE:	D
		DRAWING NO.: <b>HP30B511D</b>	

D	UPDATED VIEW B-B	CAW		04/22/13
C	REMOVED REF. DIM. ON HP CAP NUT/EXTENDED OA DIM.	CAW		04/22/08
	CHANGED HP ADAPTOR PORTS TO VENTS			
B	UPDATED SECTION A-A & VIEW B-B	CAW		02/21/07
REV	CHANGE	BY	CHK	APR
				DATE