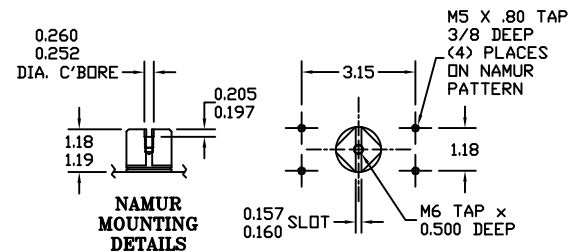
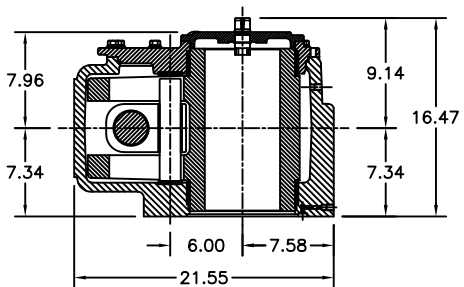


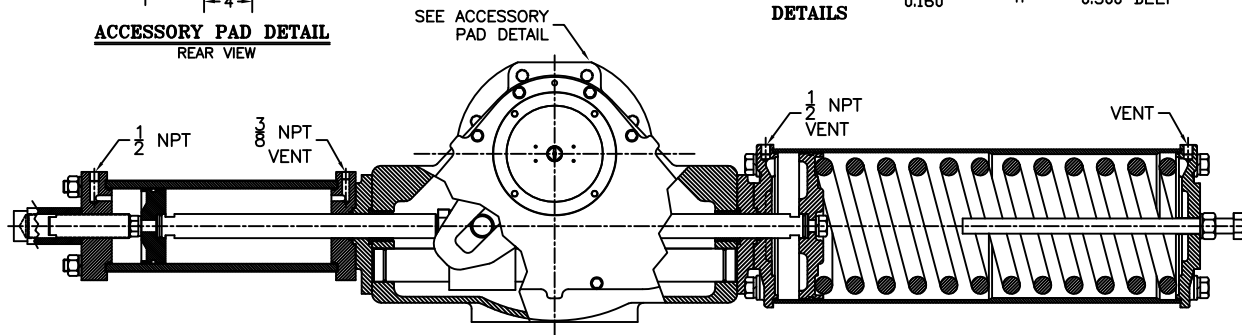
ACCESSORY PAD DETAIL
REAR VIEW



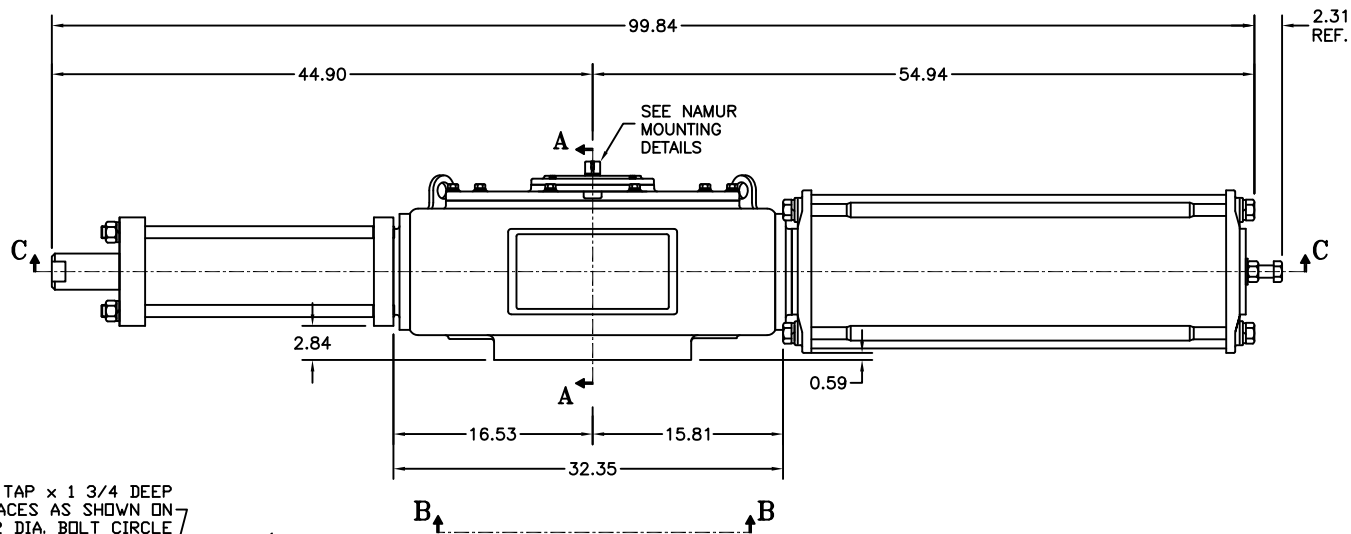
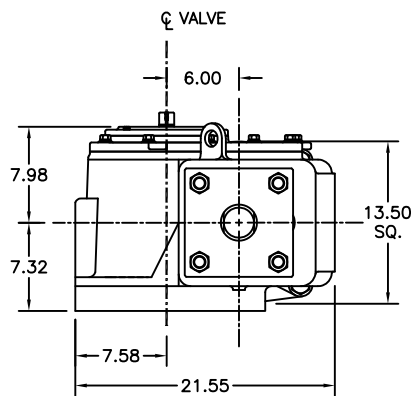
NAMUR MOUNTING DETAILS



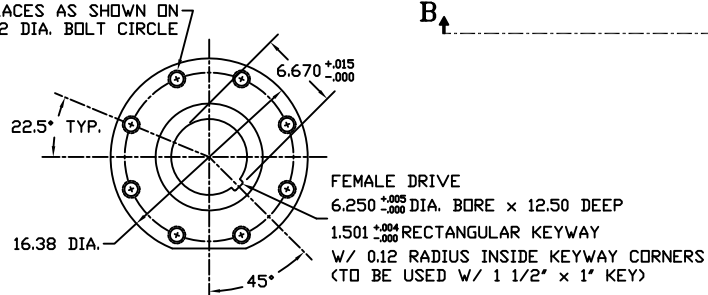
SECTION A-A
YOKE SHOWN AT MID-STROKE
ACCESSORIES OMITTED FOR CLARITY



SECTION C-C



1-8 UNC-2B TAP x 1 3/4 DEEP
(8) PLACES AS SHOWN IN
14.02 DIA. BOLT CIRCLE



VIEW B-B

ISO F35 MOUNTING PATTERN
SHOWN IN CLOSED POSITION

MORIN Birmingham, AL			
TITLE: MODEL HP65U-6-1-1485S080 ACTUATOR			
DRAWN BY:	DATE:	CHECKER:	DATE:
CAW	03/07/08		
SCALE:	REVISION:	DRAWING NO.:	
1:4	E		
SHEET	DWG. SIZE:		
1 of 1	E	HP60B005E	

E	UPPER UP COP WHT & MOUNTING SCREW LENGTH & SO SIZE MOUNTING SCREW LENGTH	CAW		12/03/10
D	CORRECTED ACCESS. PAD DETAIL: 1/4\" VENT WMS 3/4\" VENT	CAW		08/24/10
C	CORRECTED ENDVIEW FROM 17.00 SQ. ENDVIEW TO 13.50 SQ. ENDVIEW	CAW		11/20/09
B	UPDATED VIEW B-B	CAW		04/24/09
REV	CHANGE	BY	CHK	APR
				DATE