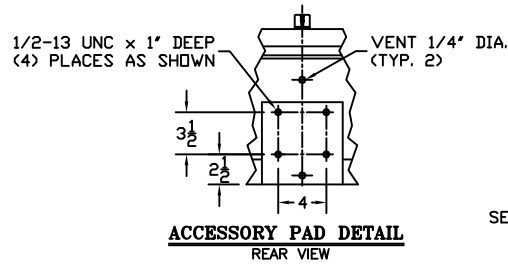
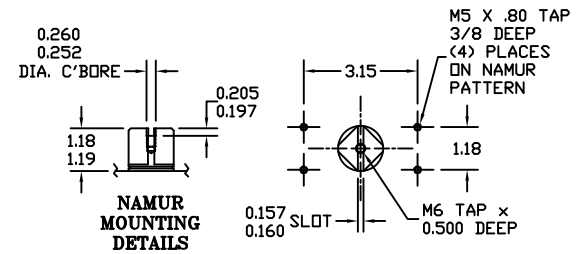


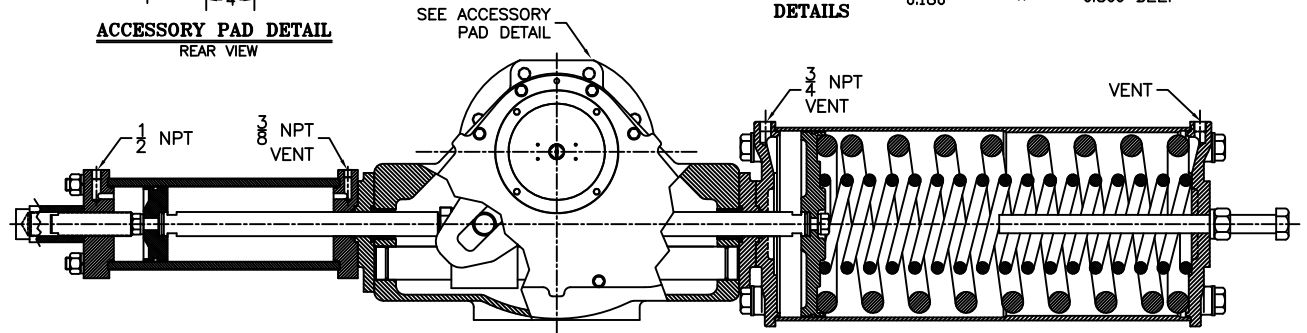
SECTION A-A
YOKE SHOWN AT MID-STROKE
ACCESSORIES OMITTED FOR CLARITY



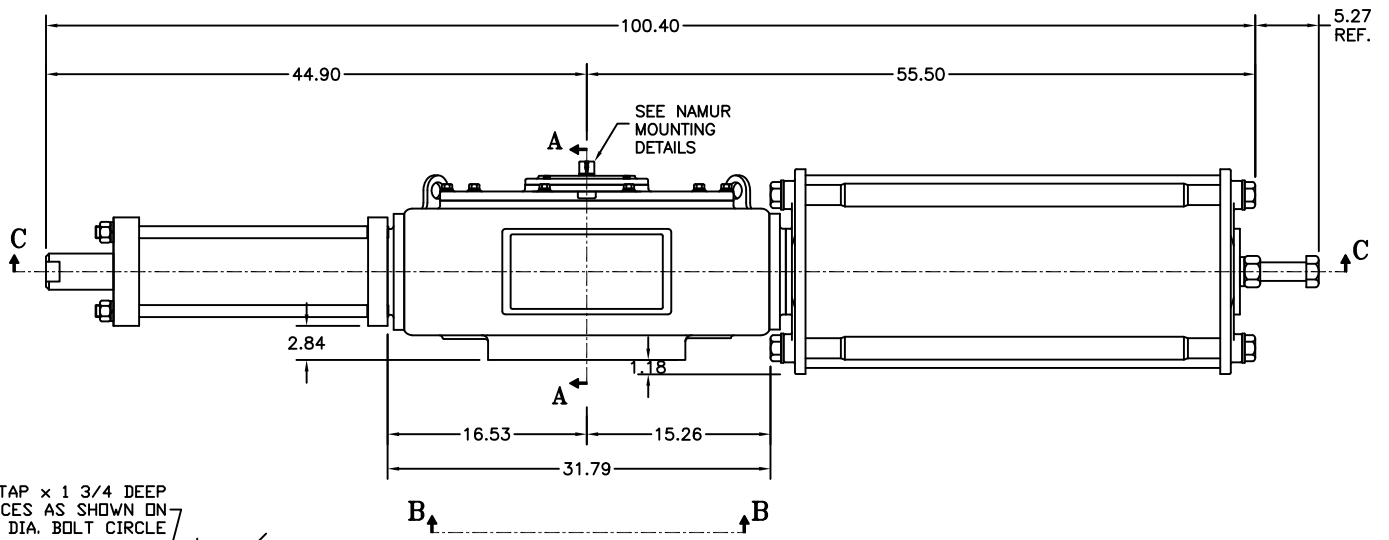
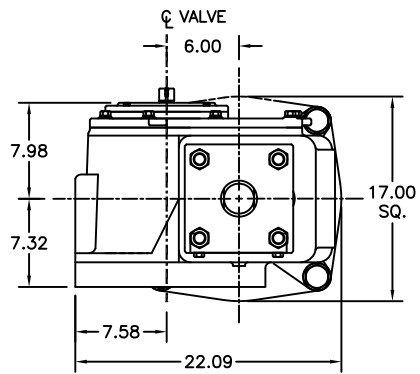
ACCESSORY PAD DETAIL
REAR VIEW



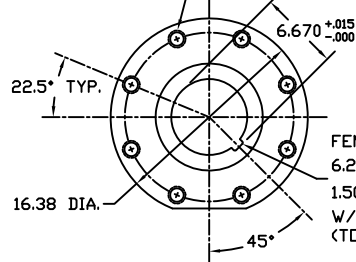
NAMUR MOUNTING DETAILS



SECTION C-C



1-8 UNC-2B TAP x 1 3/4 DEEP
(8) PLACES AS SHOWN DN
14.02 DIA. BOLT CIRCLE



FEMALE DRIVE
6.250 +.005 / -.000 DIA. BORE x 12.50 DEEP
1.501 +.004 / -.000 RECTANGULAR KEYWAY
W/ 0.12 RADIUS INSIDE KEYWAY CORNERS
(TO BE USED W/ 1 1/2' x 1' KEY)

VIEW B-B
ISO F35 MOUNTING PATTERN
SHOWN IN CLOSED POSITION

MORIN Birmingham, AL			
TITLE: MODEL HP65U-6-1-2385S080			
DRAWN BY: CAW	DATE: 06/05/07	CHECKER:	DATE:
SCALE: 1:4	REVISION: E	APPROVAL:	DATE:
SHEET 1 OF 1	DWG. SIZE: E	DRAWING NO.: HP60B004E	

E	UPDRED UP COP NUT & ANCHORING SCREW LENGTH & SI SIZE ANCHORING SCREW LENGTH	CAW		12/03/10
D	CORRECTED ACCESS. PAD DETAIL: 1/4" VENT NUTS 3/4" VENT	CAW		08/24/10
C	UPDATED VIEW B-B	CAW		
B	UPDATED DRAWING TO NEW POWERHEAD DESIGN	CAW		03/04/08
REV	CHANGE	BY	CHK	APR DATE