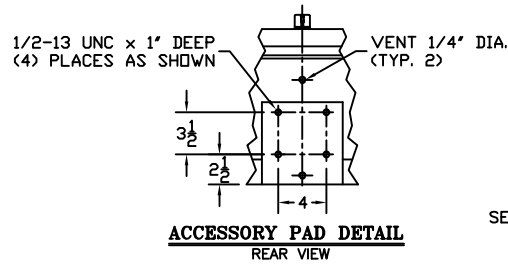
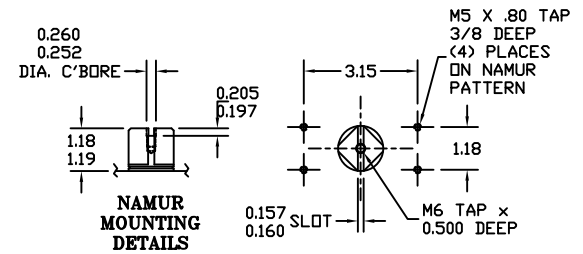


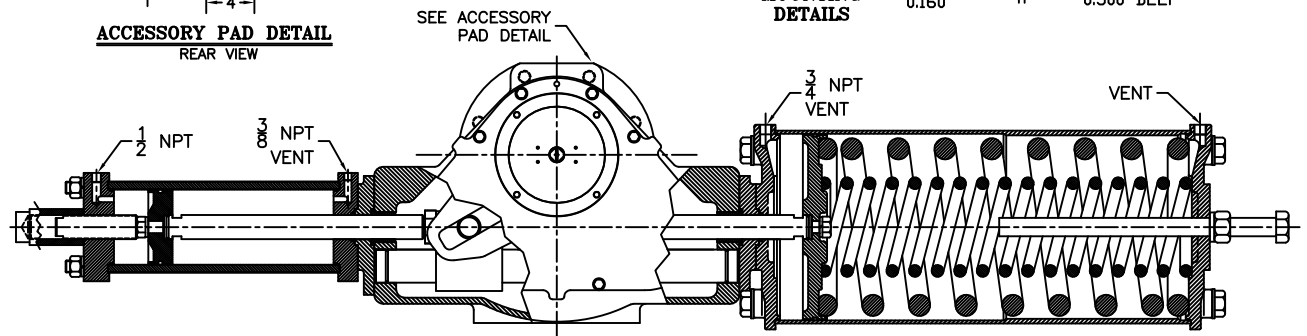
**SECTION A-A**  
YOKE SHOWN AT MID-STROKE  
ACCESSORIES OMITTED FOR CLARITY



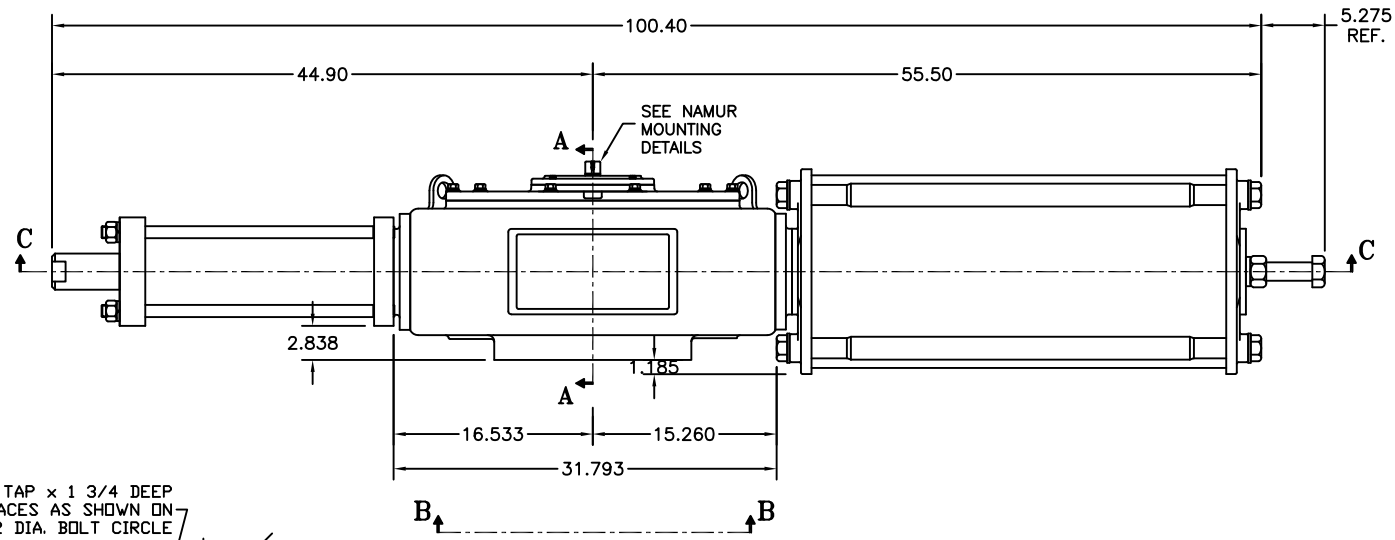
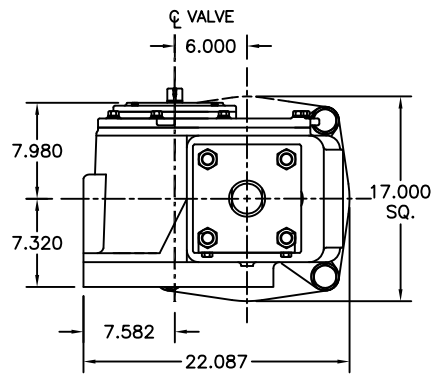
**ACCESSORY PAD DETAIL**  
REAR VIEW



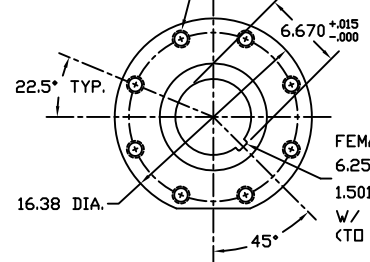
**NAMUR MOUNTING DETAILS**



**SECTION C-C**



1-8 UNC-2B TAP x 1 3/4 DEEP  
(8) PLACES AS SHOWN DN  
14.02 DIA. BOLT CIRCLE



**FEMALE DRIVE**  
6.250 <sup>+0.005</sup> / <sub>-.000</sub> DIA. BORE x 12.50 DEEP  
1.501 <sup>+0.004</sup> / <sub>-.000</sub> RECTANGULAR KEYWAY  
W/ 0.12 RADIUS INSIDE KEYWAY CORNERS  
(TO BE USED W/ 1 1/2' x 1' KEY)

**VIEW B-B**

ISO F35 MOUNTING PATTERN  
SHOWN IN CLOSED POSITION

<b>MORIN</b> www.morinact.com		Morin Actuator 110 Commerce Drive Pelham, Alabama, U.S.A. 35124 (205) 662-9333	
MODEL HP65UC-6-1-2385S000			
DRAWN BY:	DATE:	CHECKED:	DATE:
CAW	11/18/11		
SCALE:	REVISION:	DRAWING NO.:	
FIT		HP60B011	
SHEET	DWG. SIZE:		
1 OF 1	E		

REV	CHANGE	BY	CHK	APR	DATE