

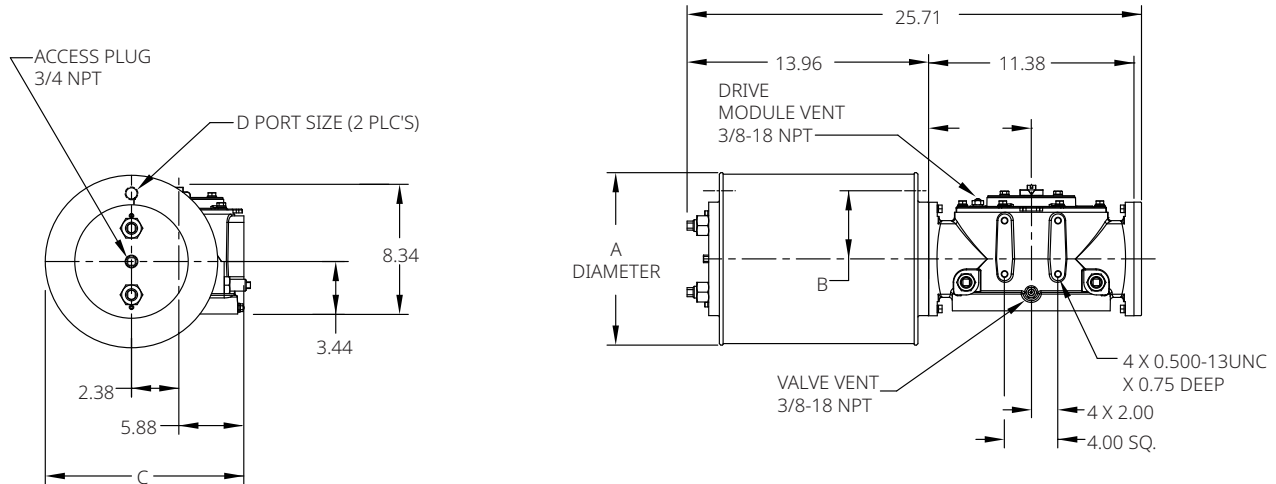
Data Sheet

VCPDS-17262-US Rev. 1
December 2024

FG/FGC-Series

Dimensions – (Pneumatic) in. FG/FGC-Series

Double-Acting Actuators FG010XX/FGC010XX (CW Model Shown)



Notes:

Not certified dimensional drawings. Such drawings are available on request.
Contact factory with correct model designation and serial number.
All dimensions are expressed in inches.

Table 1.

Actuator Model	A	B	C	D
FG01008/FGC01008	8.75	3.19	10.25	3/4 NPT
FG01009/FGC01009	9.88	3.78	10.82	3/4 NPT
FG01010/FGC01010	11.00	4.38	11.38	3/4 NPT
FG01012/FGC01012	13.00	5.00	12.38	3/4 NPT
FG01014/FGC01014	14.25	5.50	13.00	3/4 NPT

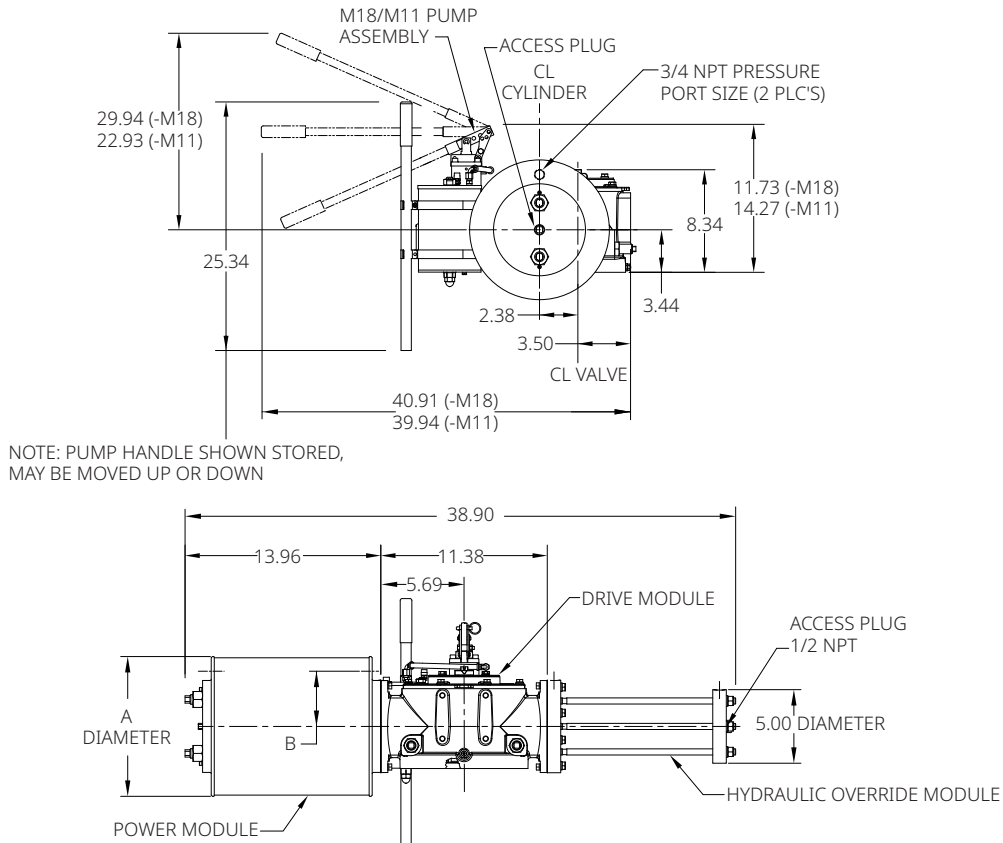


Data Sheet

VCPDS-17262-US Rev. 1
December 2024

FG/FGC-Series

FG010XX-M18/FGC010XX-M18 FG010XX-M11/FGC010XX-M11 (CW Model Shown)



Notes:
Not certified dimensional drawings. Such drawings are available on request.
Contact factory with correct model designation and serial number.
All dimensions are expressed in inches.

Table 2.

Actuator Model	A	B
FG01008-M18/FGC01008-M18	8.75	3.19
FG01009-M18/FGC01009-M18	9.88	3.78
FG01010-M18/FGC01010-M18	11.00	4.38
FG01012-M18/FGC01012-M18	13.00	5.00
FG01014-M18/FGC01014-M18	14.25	5.50

Note:
Dimensions A and B remain the same in case -M11 in actuator model.

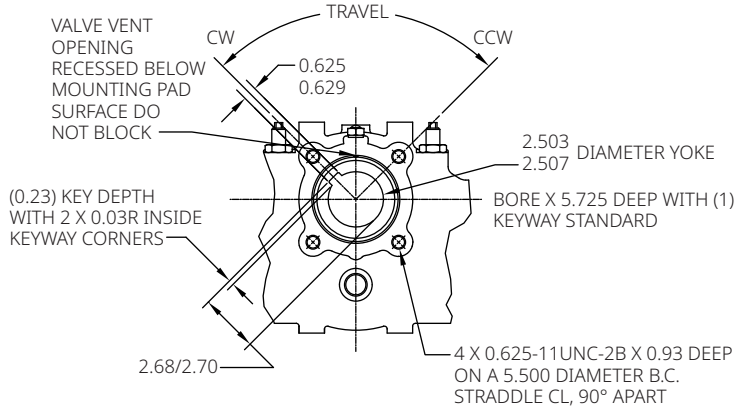


Data Sheet

VCPDS-17262-US Rev. 1
December 2024

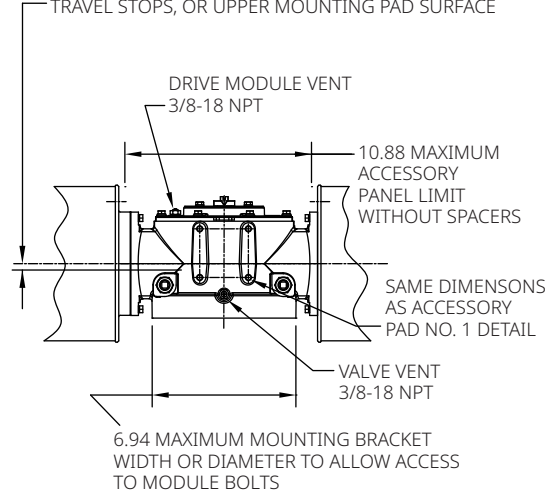
FG/FGC-Series

Double-Acting Actuators Mounting Pad Detail

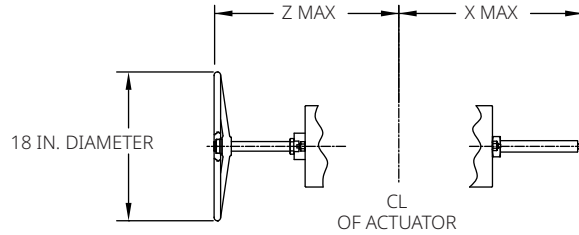


ACCESSORY PAD NO. 2 DETAIL

0.56 - LOCATE ACCESSORY PANEL NO CLOSER TO AVOID INTERFERENCE WITH VENT/CHECK VALVES, TRAVEL STOPS, OR UPPER MOUNTING PAD SURFACE



ADJUSTABLE END STOPS AND JACKSCREWS



Notes:

Not certified dimensional drawings. Such drawings are available on request. Contact factory with correct model designation and serial number. All dimensions are expressed in inches.

Table 3.

	X (-ETS) Extended Travel Stop	X End Stop	Z (M3/M3HW) Jackscrew
Power Module	27.32	20.41	29.55
Blind End Cap Module	15.83	8.92	17.43
Spring Module	47.65	40.31	46.63
Hydraulic Override Module	27.71	21.59	N/A

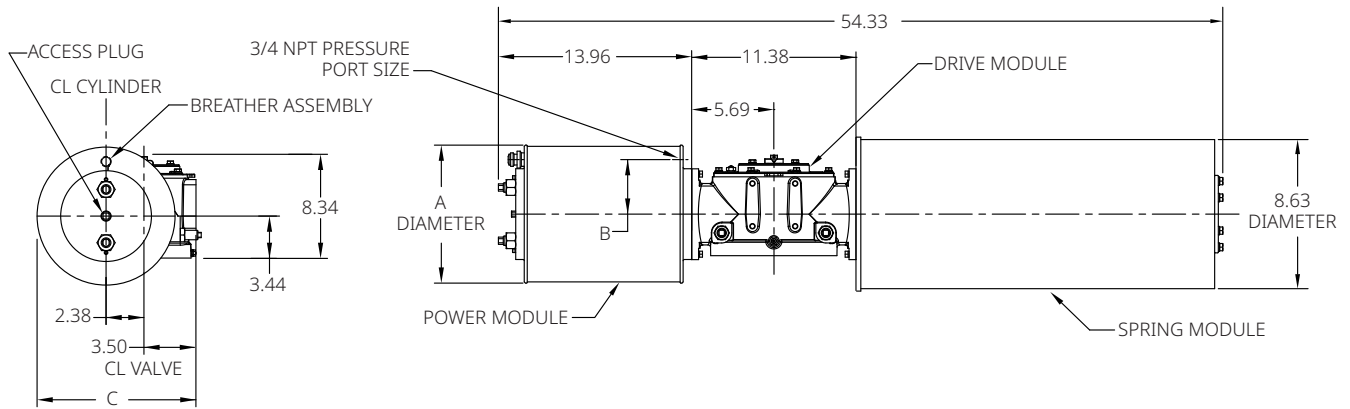


Data Sheet

VCPDS-17262-US Rev. 1
December 2024

FG/FGC-Series

Spring-Return Actuators FG010XX-SR/FGC010XX-SR (CW Model Shown)



Notes:

Not certified dimensional drawings. Such drawings are available on request.
Contact factory with correct model designation and serial number.
All dimensions are expressed in inches.

Table 4.

Actuator Model	A	B	C
FG01008-SR/FGC01008-SR	8.75	3.19	10.25
FG01009-SR/FGC01009-SR	9.88	3.78	10.82
FG01010-SR/FGC01010-SR	11.00	4.38	11.38
FG01012-SR/FGC01012-SR	13.00	5.00	12.38
FG01014-SR/FGC01014-SR	14.25	5.50	13.00

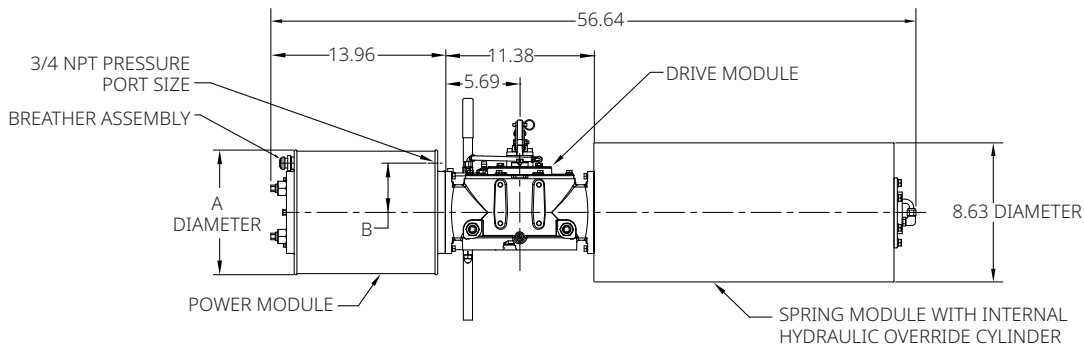
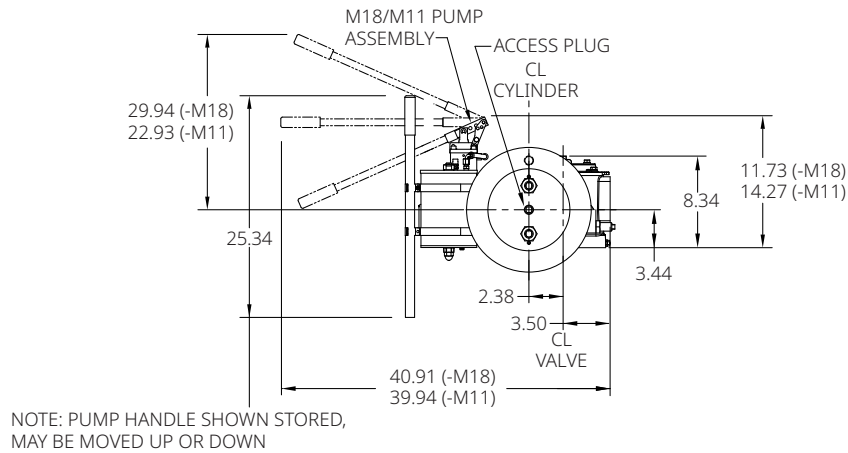


Data Sheet

VCPDS-17262-US Rev. 1
December 2024

FG/FGC-Series

FG010XX-SR-M18/FGC010XX-SR-M18 FG010XX-SR-M11/FGC010XX-SR-M11 (CW Model Shown)



Notes:
Not certified dimensional drawings. Such drawings are available on request.
Contact factory with correct model designation and serial number.
All dimensions are expressed in inches.

Table 5.

Actuator Model	A	B
FG01008-SR-M18/FGC01008-SR-M18	8.75	3.25
FG01009-SR-M18/FGC01009-SR-M18	9.88	3.78
FG01010-SR-M18/FGC01010-SR-M18	11.00	4.38
FG01012-SR-M18/FGC01012-SR-M18	13.00	5.00
FG01014-SR-M18/FGC01014-SR-M18	14.25	5.50

Note:
Dimensions A and B remain the same in case -M11 in actuator model.

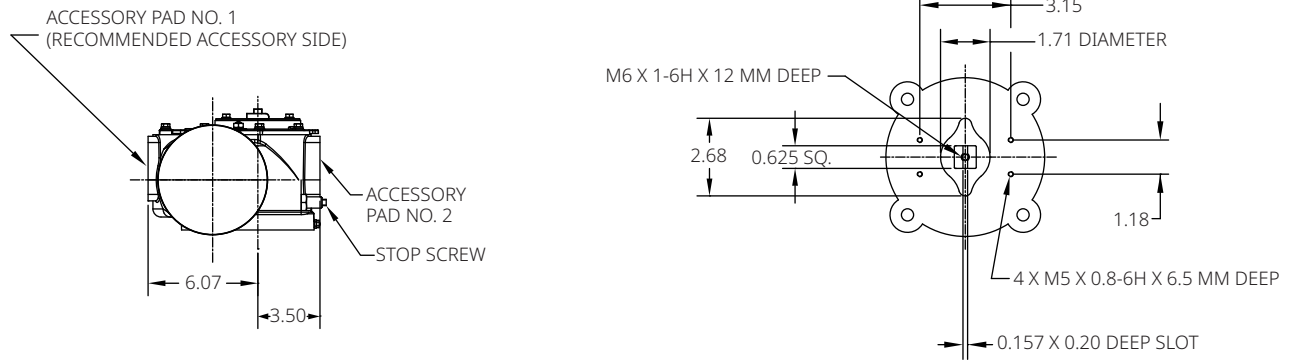


Data Sheet

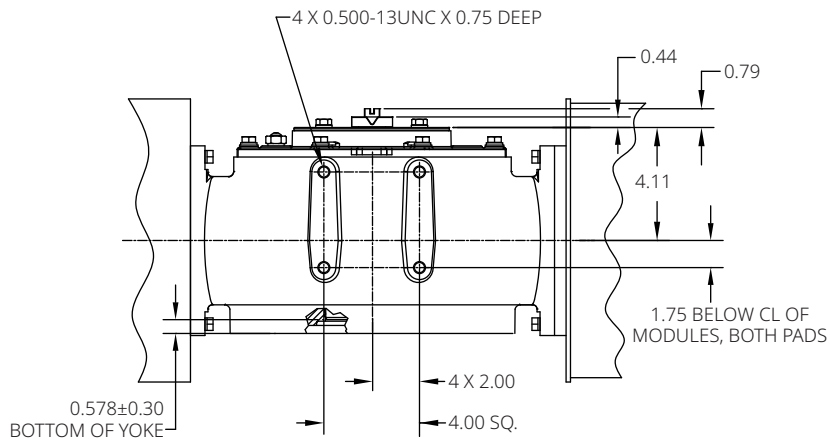
VCPDS-17262-US Rev. 1
December 2024

FG/FGC-Series

Spring-Return Actuators Accessory Details



ACCESSORY PAD NO. 1 DETAIL



Notes:

Not certified dimensional drawings. Such drawings are available on request.
Contact factory with correct model designation and serial number.
All dimensions are expressed in inches.

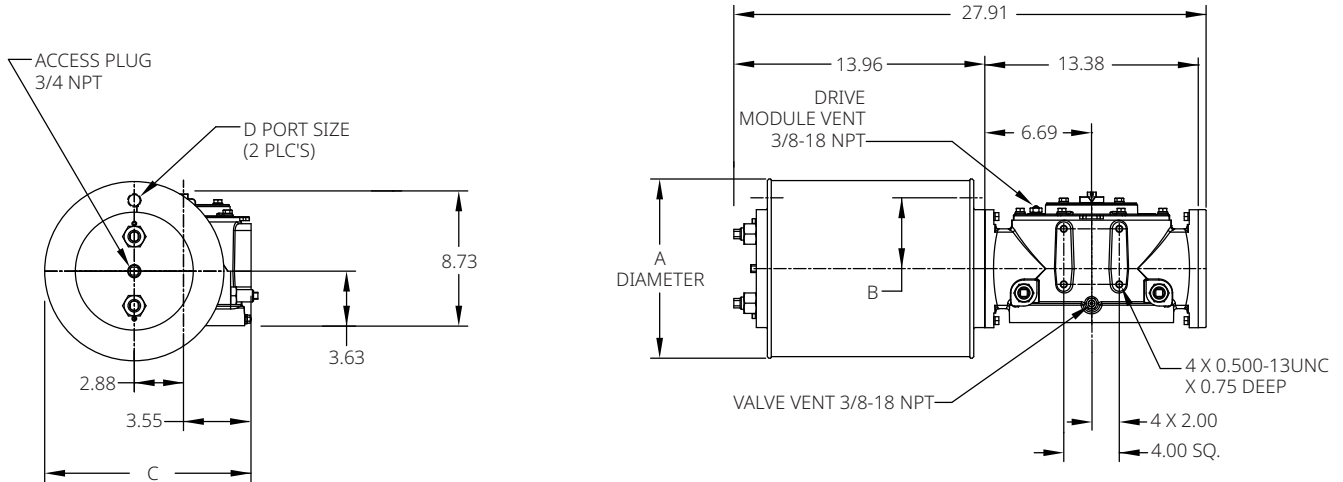


Data Sheet

VCPDS-17262-US Rev. 1
December 2024

FG/FGC-Series

Double-Acting Actuators FG20XX/FGC20XX (CW Model Shown)



Notes:

Not certified dimensional drawings. Such drawings are available on request.
Contact factory with correct model designation and serial number.
All dimensions are expressed in inches.

Table 6.

Actuator Model	A	B	C	D
FG2009/FGC2009	9.88	3.38	11.38	3/4 NPT
FG2010/FGC2010	11.00	4.38	11.97	3/4 NPT
FG2012/FGC2012	13.00	5.00	12.93	3/4 NPT
FG2014/FGC2014	14.25	5.50	13.56	3/4 NPT
FG2016/FGC2016	16.25	6.25	14.56	3/4 NPT

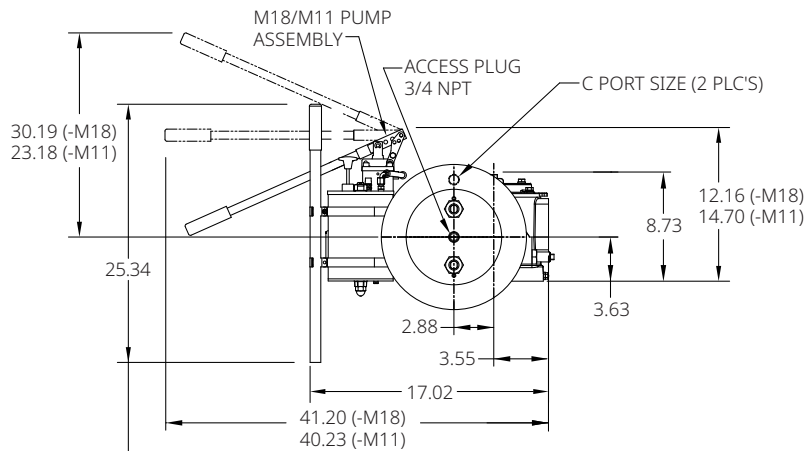


Data Sheet

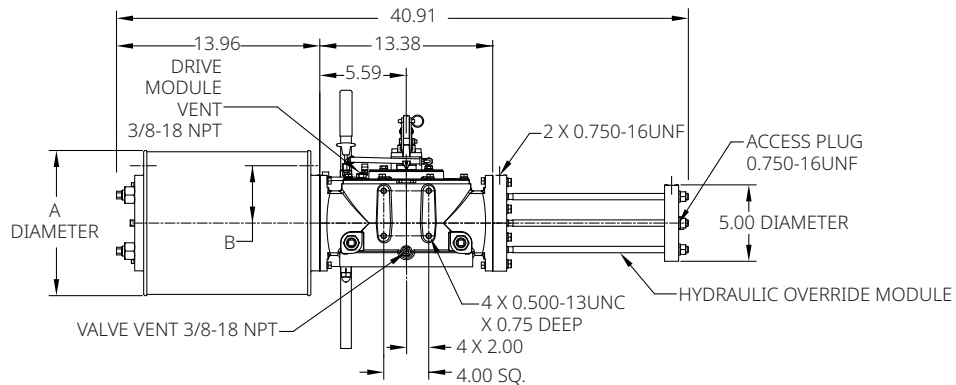
VCPDS-17262-US Rev. 1
December 2024

FG/FGC-Series

FG20XX-M18/FGC20XX-M18 FG20XX-M11/FGC20XX-M11 (CW Model Shown)



NOTE: PUMP HANDLE SHOWN STORED,
MAY BE MOVED UP OR DOWN



Notes:

Not certified dimensional drawings. Such drawings are available on request.
Contact factory with correct model designation and serial number.
All dimensions are expressed in inches.

Table 7.

Actuator Model	A	B	C
FG2009-M18/FGC2009-M18	9.88	3.38	3/4 NPT
FG2010-M18/FGC2010-M18	11.00	4.38	3/4 NPT
FG2012-M18/FGC2012-M18	13.00	5.00	3/4 NPT
FG2014-M18/FGC2014-M18	14.25	5.50	3/4 NPT
FG2016-M18/FGC2016-M18	16.25	6.25	3/4 NPT

Note:

Dimensions A, B and C remain the same in case -M11 in actuator model.

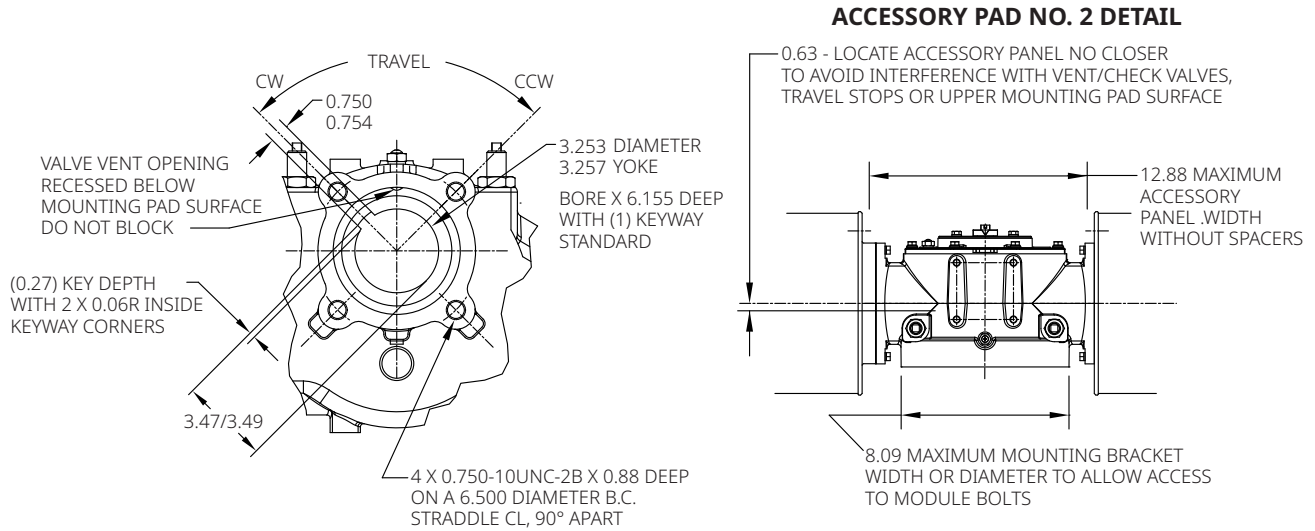


Data Sheet

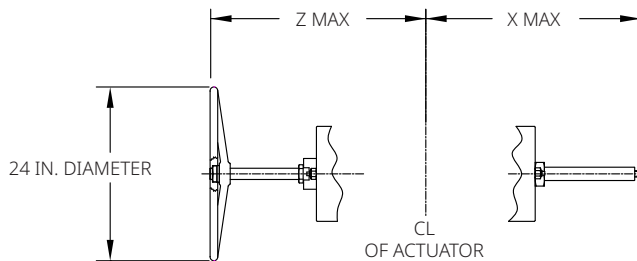
VCPDS-17262-US Rev. 1
December 2024

FG/FGC-Series

Double-Acting Actuators Valve/Accessory Mounting Details



ADJUSTABLE END STOPS



Notes:

Not certified dimensional drawings. Such drawings are available on request. Contact factory with correct model designation and serial number. All dimensions are expressed in inches.

Table 8.

	X (-ETS) Extended Travel Stop	X End Stop	Z (M3/M3HW) Jackscrew
Power Module	28.32	21.41	35.07
Blind End Cap Module	16.83	9.92	22.55
Spring Module	48.22	41.31	50.35

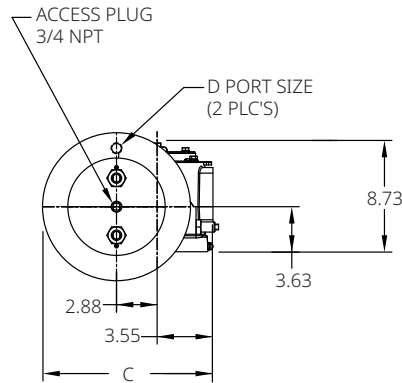


Data Sheet

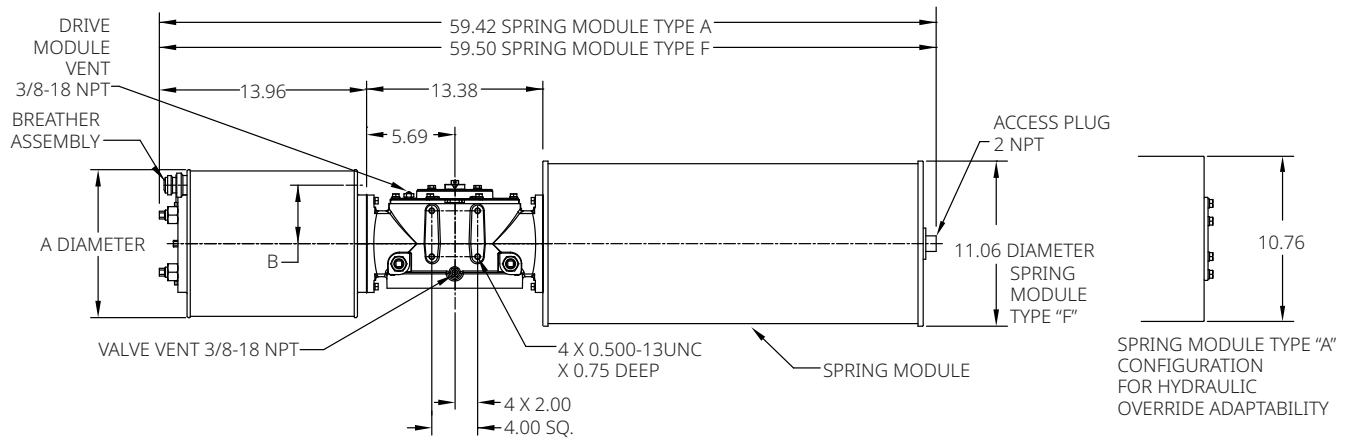
VCPDS-17262-US Rev. 1
December 2024

FG/FGC-Series

Spring-Return Actuators FG20XX-SR/FGC20XX-SR (CW Model Shown)



(DIMENSION REFLECTS LARGEST OF EITHER CYLINDER)



Notes:

Not certified dimensional drawings. Such drawings are available on request.
Contact factory with correct model designation and serial number.
All dimensions are expressed in inches.

Table 9.

Actuator Model	A	B	C	D
FG2009-SR/FGC2009-SR	9.88	3.38	11.38	3/4 NPT
FG2010-SR/FGC2010-SR	11.00	4.38	11.97	3/4 NPT
FG2012-SR/FGC2012-SR	13.00	5.00	12.93	3/4 NPT
FG2014-SR/FGC2014-SR	14.25	5.50	13.56	3/4 NPT
FG2016-SR/FGC2016-SR	16.25	6.25	14.56	3/4 NPT

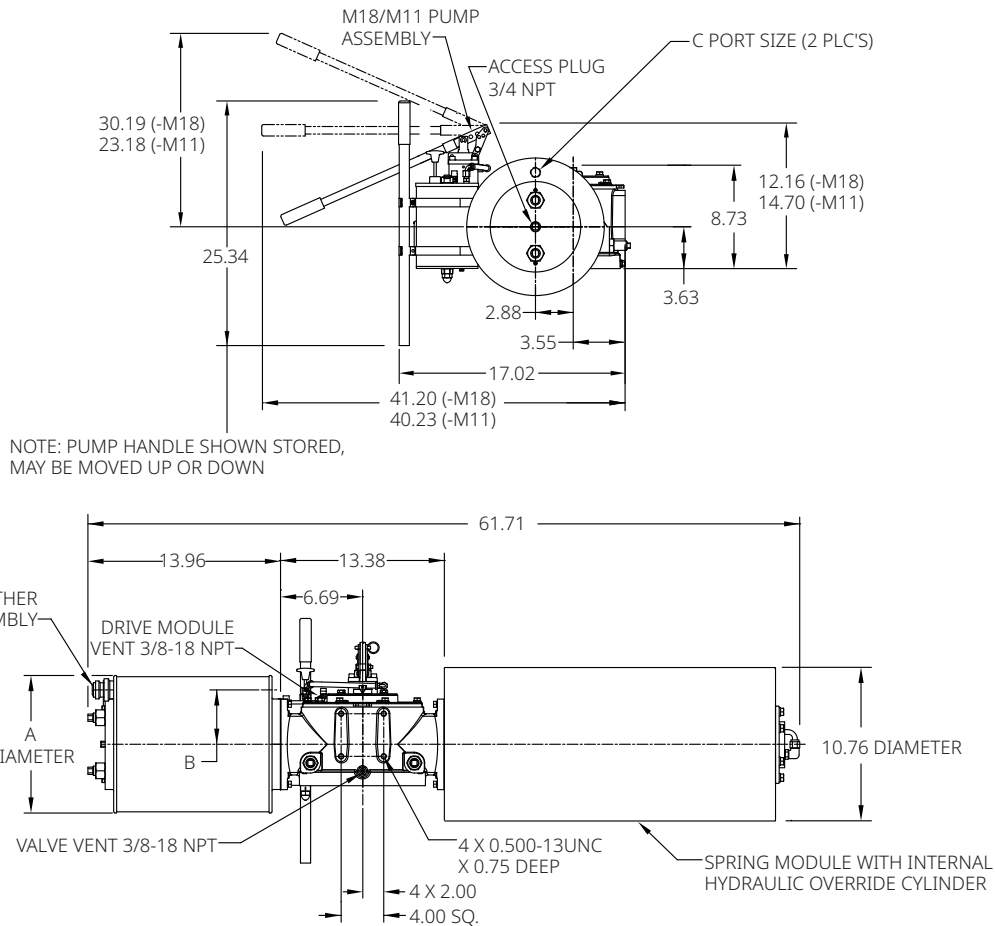


Data Sheet

VCPDS-17262-US Rev. 1
December 2024

FG/FGC-Series

FG20XX-SR-M18/FGC20XX-SR-M18 FG20XX-SR-M11/FGC20XX-SR-M11 (CW Model Shown)



Notes:
Not certified dimensional drawings. Such drawings are available on request.
Contact factory with correct model designation and serial number.
All dimensions are expressed in inches.

Table 10.

Actuator Model	A	B	C
FG2009-SR-M18/FGC2009-SR-M18	9.88	3.38	3/4 NPT
FG2010-SR-M18/FGC2010-SR-M18	11.00	4.38	3/4 NPT
FG2012-SR-M18/FGC2012-SR-M18	13.00	5.00	3/4 NPT
FG2014-SR-M18/FGC2014-SR-M18	14.25	5.50	3/4 NPT
FG2016-SR-M18/FGC2016-SR-M18	16.25	6.25	3/4 NPT

Note:
Dimensions A, B and C remain the same in case -M11 in actuator model.

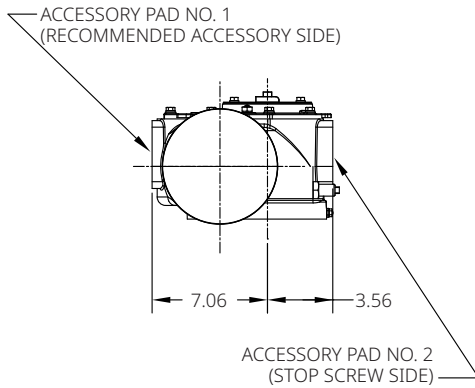


Data Sheet

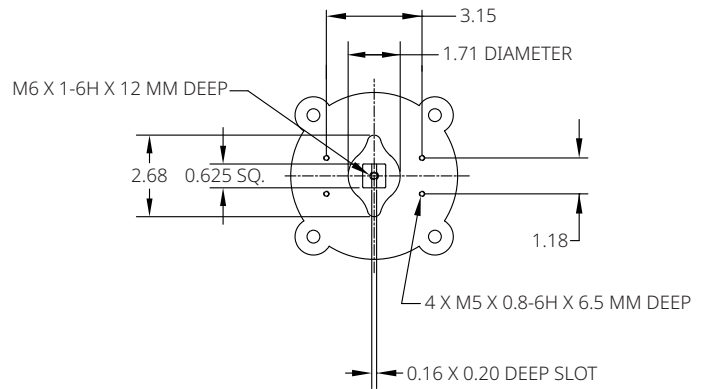
VCPDS-17262-US Rev. 1
December 2024

FG/FGC-Series

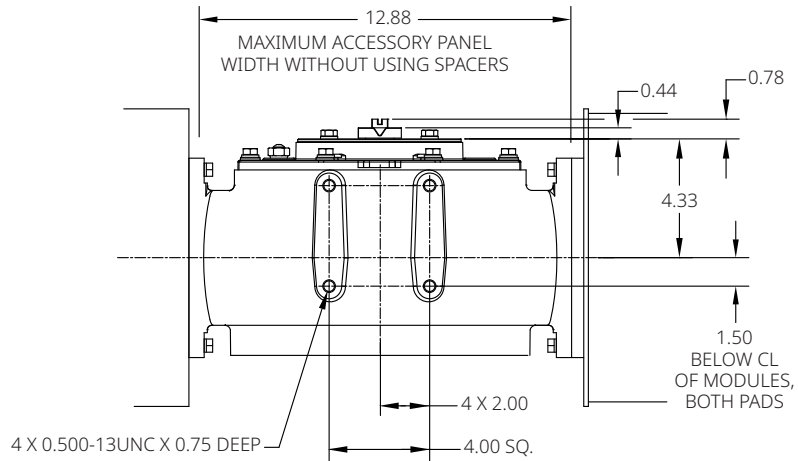
Spring-Return Actuators Accessory Details



TOPWORKS DETAIL YOKE COVER



ACCESSORY PAD NO. 1 DETAIL



Notes:

Not certified dimensional drawings. Such drawings are available on request.
Contact factory with correct model designation and serial number.
All dimensions are expressed in inches.

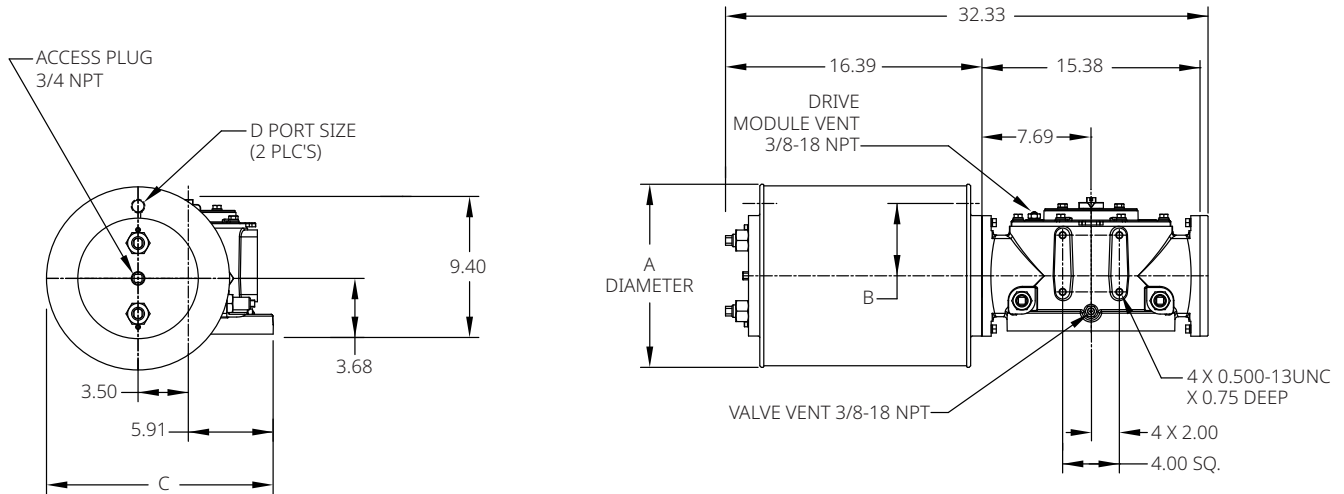


Data Sheet

VCPDS-17262-US Rev. 1
December 2024

FG/FGC-Series

Double-Acting Actuators FG30XX/FGC30XX (CW Model Shown)



Notes:

Not certified dimensional drawings. Such drawings are available on request.
Contact factory with correct model designation and serial number.
All dimensions are expressed in inches.

Table 11.

Actuator Model	A	B	C	D
FG3010/FGC3010	11.00	4.38	14.91	3/4 NPT
FG3012/FGC3012	13.00	5.19	15.91	3/4 NPT
FG3014/FGC3014	14.25	5.68	16.53	3/4 NPT
FG3016/FGC3016	16.25	6.25	17.53	3/4 NPT
FG3020/FGC3020	20.25	8.00	19.53	3/4 NPT

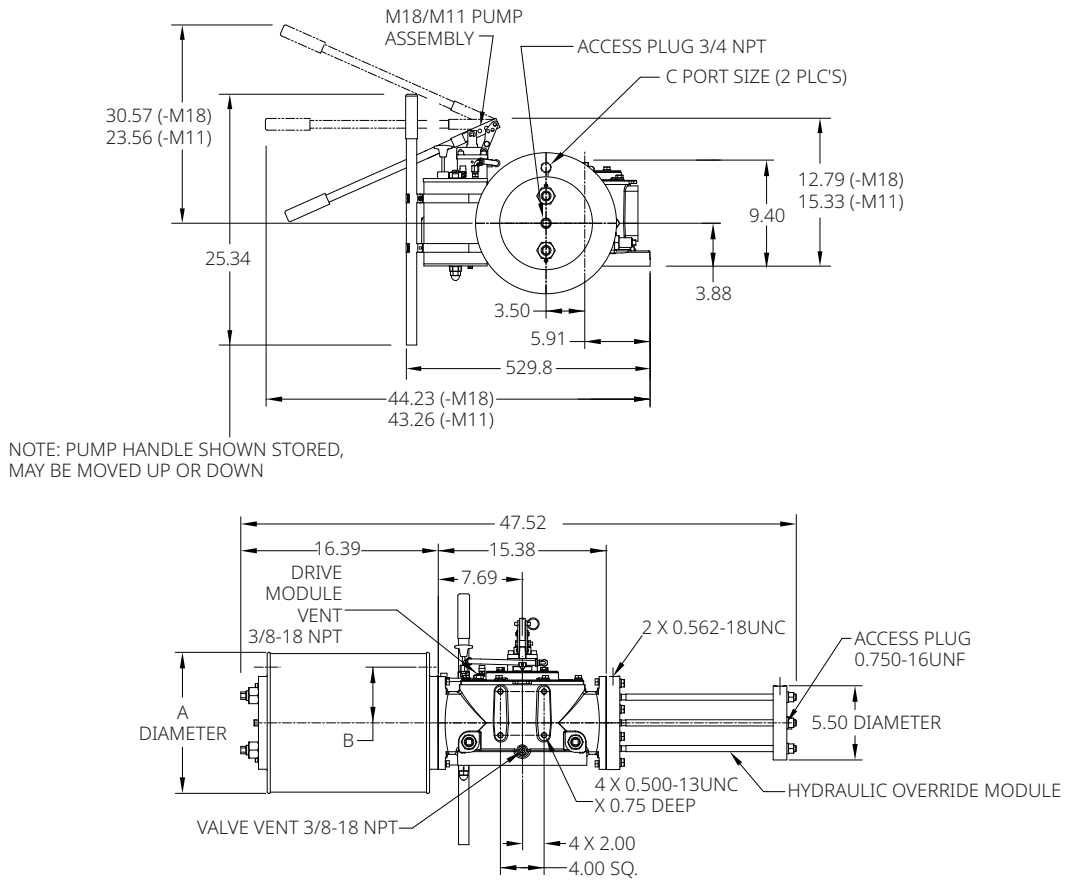


Data Sheet

VCPDS-17262-US Rev. 1
December 2024

FG/FGC-Series

FG30XX-M18/FGC30XX-M18 FG30XX-M11/FGC30XX-M11 (CW Model Shown)



Notes:
Not certified dimensional drawings. Such drawings are available on request.
Contact factory with correct model designation and serial number.
All dimensions are expressed in inches.

Table 12.

Actuator Model	A	B	C
FG3010-M18/FGC3010-M18	11.00	4.38	3/4 NPT
FG3012-M18/FGC3012-M18	13.00	5.19	3/4 NPT
FG3014-M18/FGC3014-M18	14.25	5.68	3/4 NPT
FG3016-M18/FGC3016-M18	16.25	6.25	3/4 NPT
FG3020-M18/FGC3020-M18	20.25	8.00	3/4 NPT

Note:
Dimensions A, B and C remain the same in case -M11 in actuator model.

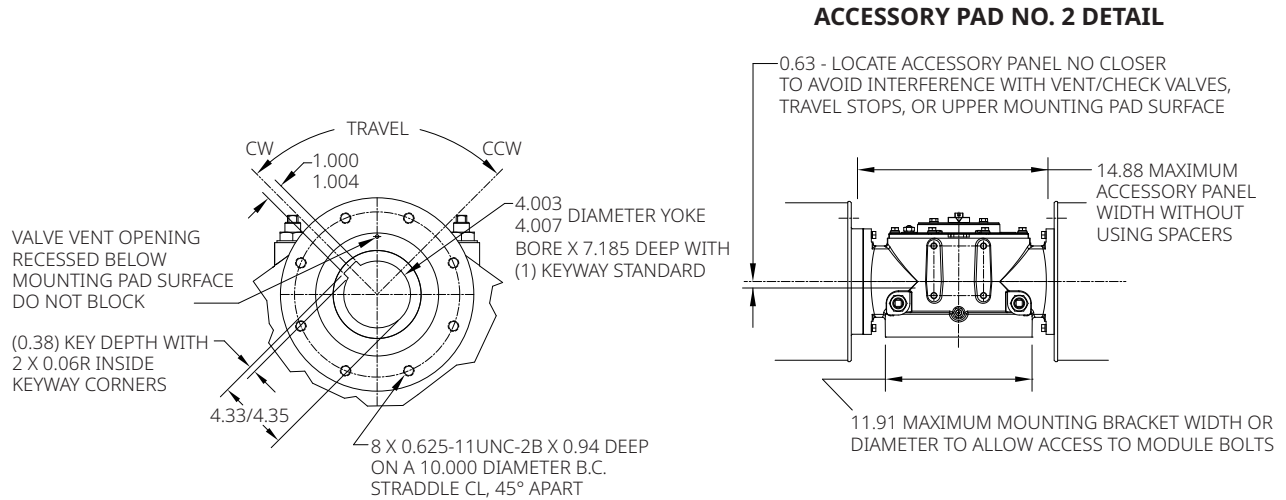


Data Sheet

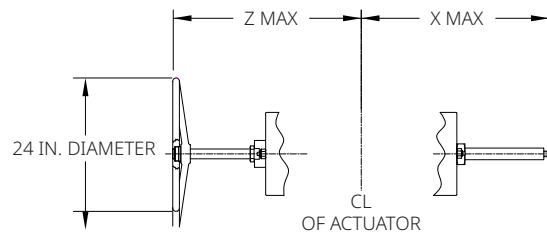
VCPDS-17262-US Rev. 1
December 2024

FG/FGC-Series

Double-Acting Actuators Valve/Accessory Mounting Details



ADJUSTABLE END STOPS AND JACKSCREWS



Notes:

Not certified dimensional drawings. Such drawings are available on request. Contact factory with correct model designation and serial number. All dimensions are expressed in inches.

Table 13.

	X (-ETS) Extended Travel Stop	X End Stop	Z (M3/M3HW) Jackscrew
Power Module	33.09	24.53	36.94
Blind End Cap Module	19.57	11.10	22.86
Spring Module	53.30	44.74	55.00

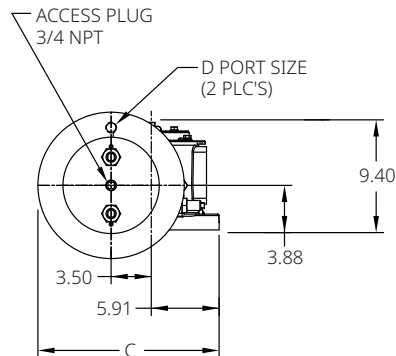


Data Sheet

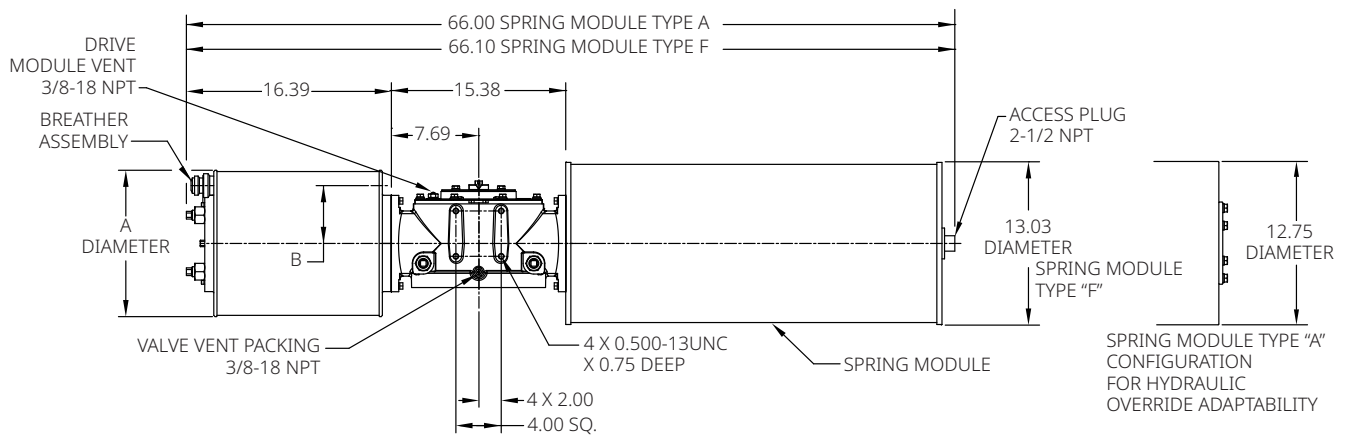
VCPDS-17262-US Rev. 1
December 2024

FG/FGC-Series

Spring-Return Actuators FG30XX-SR/FGC30XX-SR (CW Model Shown)



(DIMENSION REFLECTS LARGEST OF EITHER CYLINDER)



Notes:

Not certified dimensional drawings. Such drawings are available on request.
Contact factory with correct model designation and serial number.
All dimensions are expressed in inches.

Table 14.

Actuator Model	A	B	C	D
FG3010-SR/FGC3010-SR	11.00	4.38	14.91	3/4 NPT
FG3012-SR/FGC3012-SR	13.00	5.19	15.91	3/4 NPT
FG3014-SR/FGC3014-SR	14.25	5.68	16.53	3/4 NPT
FG3016-SR/FGC3016-SR	16.25	6.25	17.53	3/4 NPT
FG3020-SR/FGC3020-SR	20.25	8.00	19.53	3/4 NPT

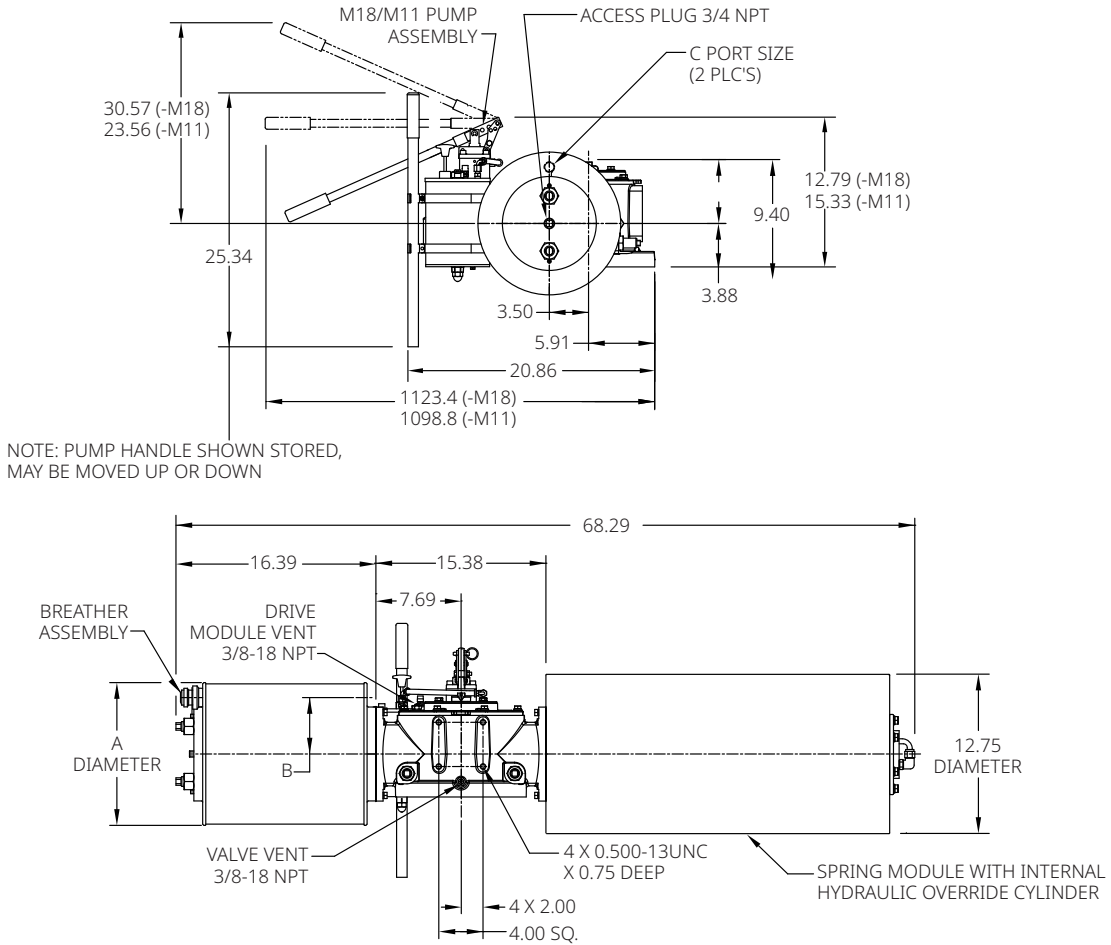


Data Sheet

VCPDS-17262-US Rev. 1
December 2024

FG/FGC-Series

FG30XX-SR-M18/FGC30XX-SR-M18 FG30XX-SR-M11/FGC30XX-SR-M11 (CW Model Shown)



Notes:
Not certified dimensional drawings. Such drawings are available on request.
Contact factory with correct model designation and serial number.
All dimensions are expressed in inches.

Table 15.

Actuator Model	A	B	C
FG3010-SR-M18/FGC3010-SR-M18	11.00	4.38	3/4 NPT
FG3012-SR-M18/FGC3012-SR-M18	13.00	5.19	3/4 NPT
FG3014-SR-M18/FGC3014-SR-M18	14.25	5.68	3/4 NPT
FG3016-SR-M18/FGC3016-SR-M18	16.25	6.25	3/4 NPT
FG3020-SR-M18/FGC3020-SR-M18	20.25	8.00	3/4 NPT

Note:
Dimensions A, B and C remain the same in case -M11 in actuator model.

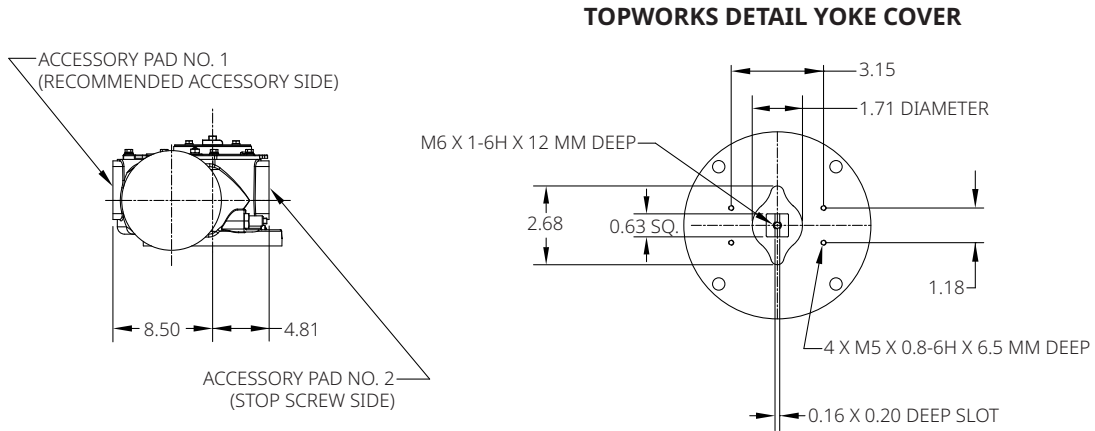


Data Sheet

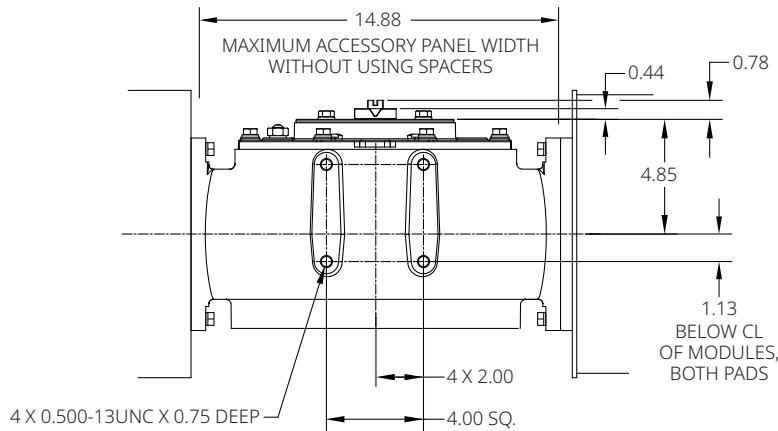
VCPDS-17262-US Rev. 1
December 2024

FG/FGC-Series

Spring-Return Actuators Accessory Details



ACCESSORY PAD NO. 1 DETAIL



Notes:

Not certified dimensional drawings. Such drawings are available on request.
Contact factory with correct model designation and serial number.
All dimensions are expressed in inches.

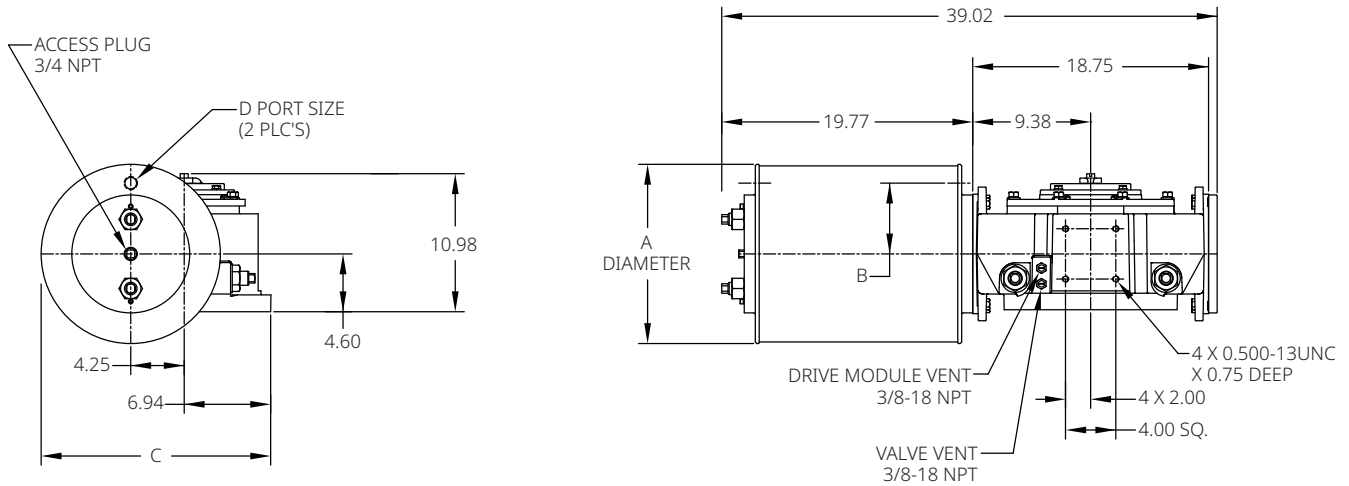


Data Sheet

VCPDS-17262-US Rev. 1
December 2024

FG/FGC-Series

Double-Acting Actuators FG40XX/FGC40XX (CW Model Shown)



Notes:

Not certified dimensional drawings. Such drawings are available on request.
Contact factory with correct model designation and serial number.
All dimensions are expressed in inches.

Table 16.

Actuator Model	A	B	C	D
FG4012/FGC4012	13.00	5.44	17.69	3/4 NPT
FG4014/FGC4014	14.25	5.63	18.32	3/4 NPT
FG4016/FGC4016	16.25	6.25	19.32	3/4 NPT
FG4020/FGC4020	20.25	8.13	21.32	3/4 NPT
FG4024/FGC4024	24.25	9.63	23.32	3/4 NPT
FG4028/FGC4028	29.00	11.50	25.69	1.0 NPT

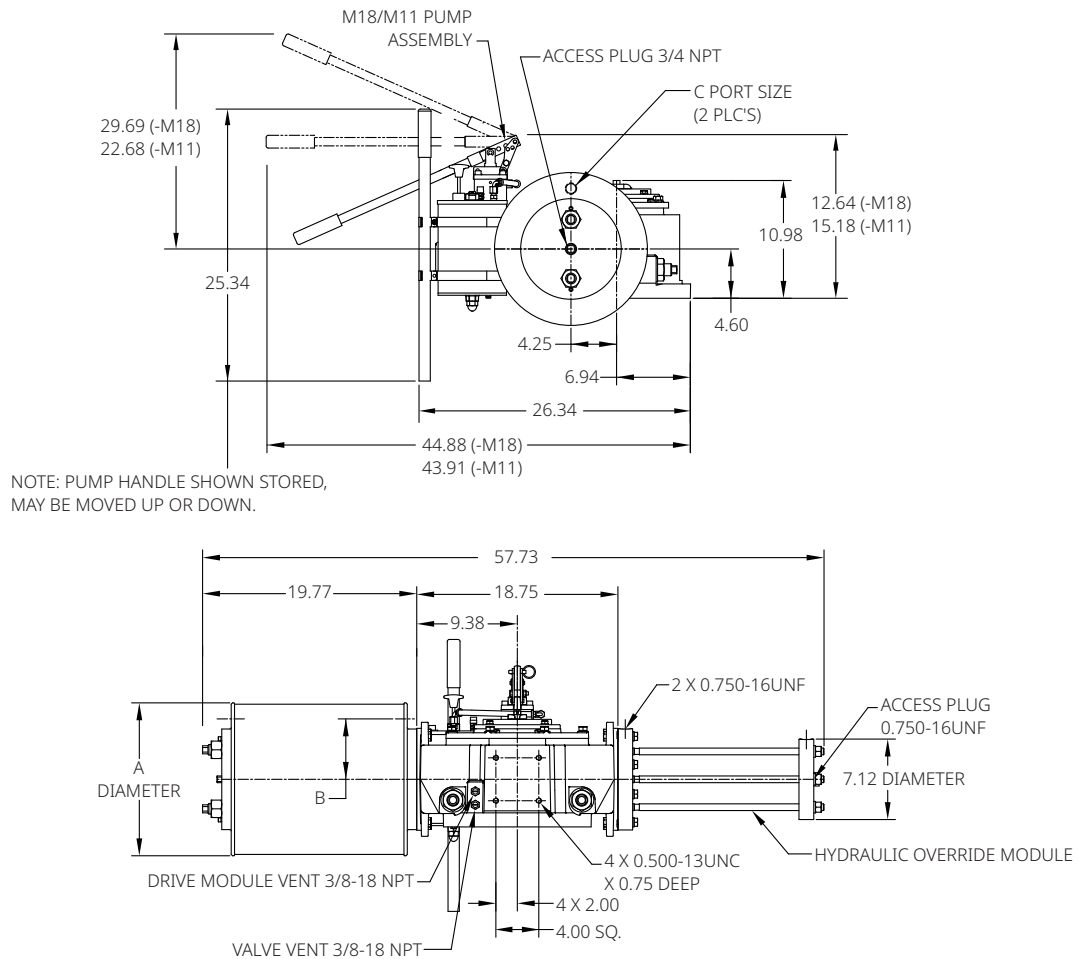


Data Sheet

VCPDS-17262-US Rev. 1
December 2024

FG/FGC-Series

FG40XX-M18/FGC40XX-M18 FG40XX-M11/FGC40XX-M11 (CW Model Shown)



Notes:

Not certified dimensional drawings. Such drawings are available on request.
Contact factory with correct model designation and serial number.
All dimensions are expressed in inches.

Table 17.

Actuator Model	A	B	C
FG4012-M18/FGC4012-M18	13.00	5.44	3/4 NPT
FG4014-M18/FGC4014-M18	14.25	5.63	3/4 NPT
FG4016-M18/FGC4016-M18	16.25	6.25	3/4 NPT
FG4020-M18/FGC4020-M18	20.25	8.13	3/4 NPT
FG4024-M18/FGC4024-M18	24.25	9.63	3/4 NPT
FG4028-M18/FGC4028-M18	29.00	11.50	1.0 NPT

Note:

Dimensions A, B and C remain the same in case -M11 in actuator model.

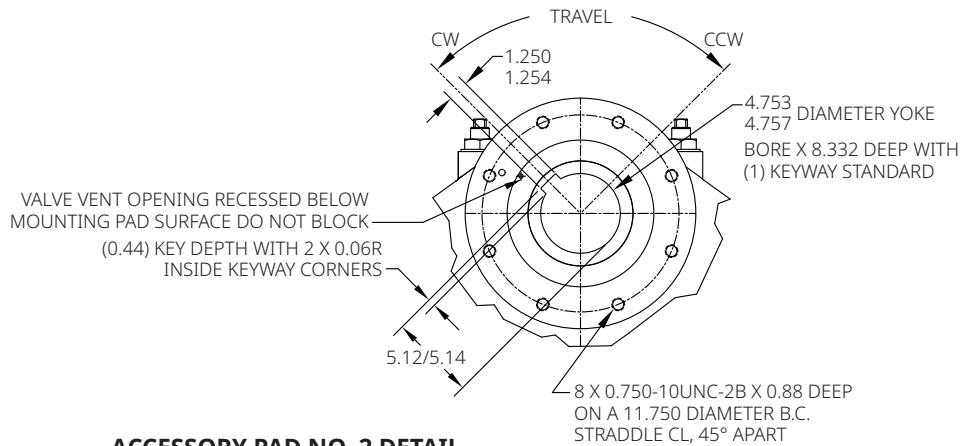


Data Sheet

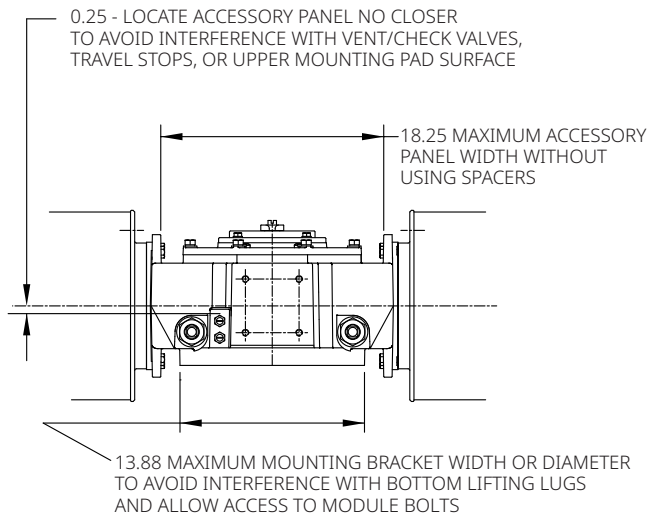
VCPDS-17262-US Rev. 1
December 2024

FG/FGC-Series

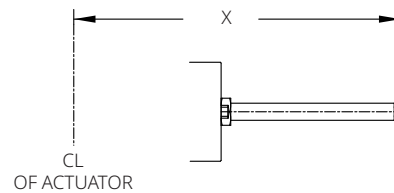
Double-Acting Actuators Valve/Accessory Mounting Details



ACCESSORY PAD NO. 2 DETAIL



ADJUSTABLE END STOPS



Notes:

Not certified dimensional drawings. Such drawings are available on request.
Contact factory with correct model designation and serial number.
All dimensions are expressed in inches.

Table 18.

	X Extended Travel Stop	X End Stop
Power Module	39.74	31.12
Blind End Cap Module	23.32	14.70
Spring Module	60.61	52.00

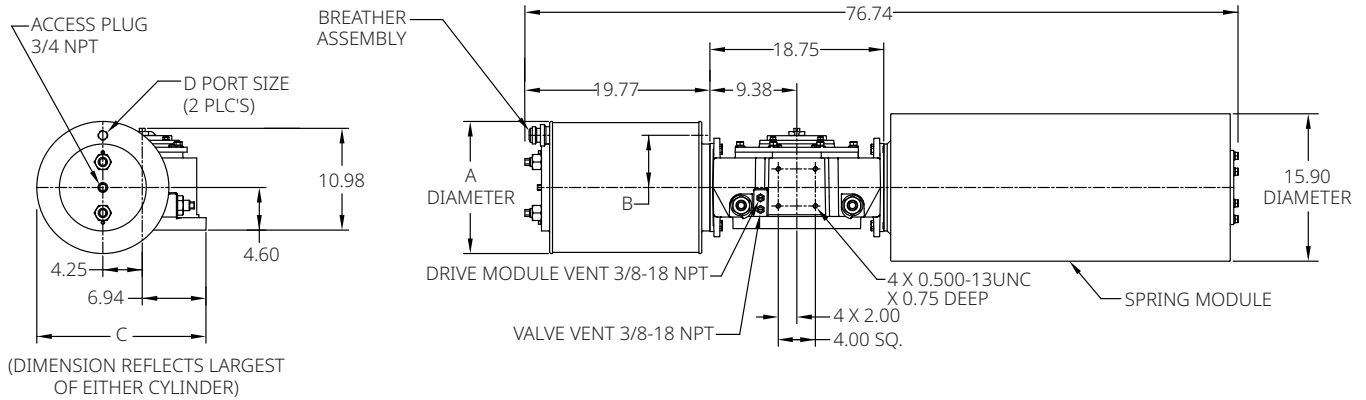


Data Sheet

VCPDS-17262-US Rev. 1
December 2024

FG/FGC-Series

Spring-Return Actuators FG40XX-SRX/FGC40XX-SRX (CW Model Shown)



Notes:

Not certified dimensional drawings. Such drawings are available on request.
Contact factory with correct model designation and serial number.
All dimensions are expressed in inches.

Table 19.

Actuator Model	A	B	C	D
FG4012-SR/FGC4012-SR	13.00	5.44	19.14	3/4 NPT
FG4014-SR/FGC4014-SR	14.25	5.63	19.14	3/4 NPT
FG4016-SR/FGC4016-SR	16.25	6.25	19.32	3/4 NPT
FG4020-SR/FGC4020-SR	20.25	8.13	21.32	3/4 NPT
FG4024-SR/FGC4024-SR	24.25	9.63	23.32	3/4 NPT
FG4028-SR/FGC4028-SR	29.00	11.50	25.69	1.0 NPT

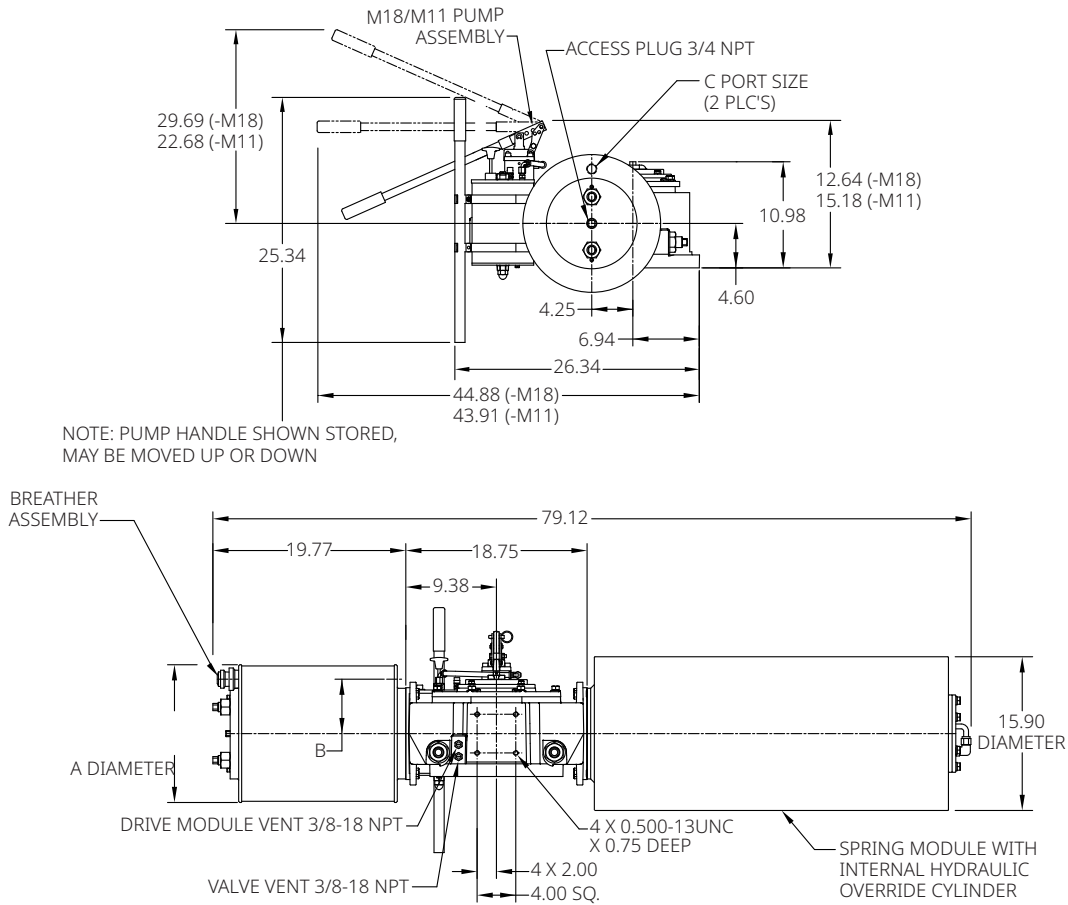


Data Sheet

VCPDS-17262-US Rev. 1
December 2024

FG/FGC-Series

FG40XX-SR-M18/FGC40XX-SR-M18 FG40XX-SR-M11/FGC40XX-SR-M11 (CW Model Shown)



Notes:
Not certified dimensional drawings. Such drawings are available on request.
Contact factory with correct model designation and serial number.
All dimensions are expressed in inches.

Table 20.

Actuator Model	A	B	C
FG4012-SR-M18/FGC4012-SR-M18	13.00	5.44	3/4 NPT
FG4014-SR-M18/FGC4014-SR-M18	14.25	5.63	3/4 NPT
FG4016-SR-M18/FGC4016-SR-M18	16.25	6.25	3/4 NPT
FG4020-SR-M18/FGC4020-SR-M18	20.25	8.13	3/4 NPT
FG4024-SR-M18/FGC4024-SR-M18	24.25	9.63	3/4 NPT
FG4028-SR-M18/FGC4028-SR-M18	29.00	11.50	1.0 NPT

Note:
Dimensions A, B and C remain the same in case -M11 in actuator model.

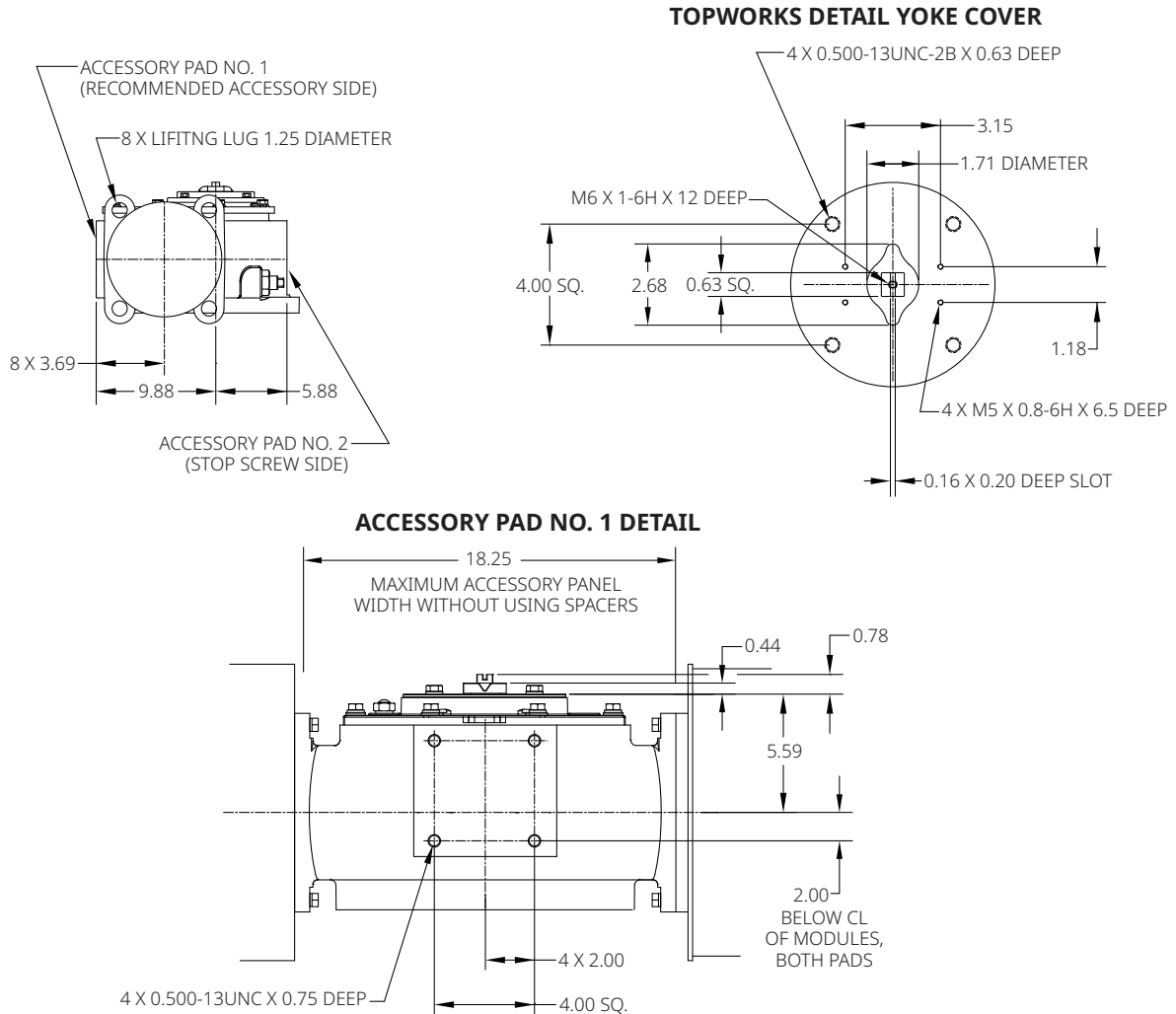


Data Sheet

VCPDS-17262-US Rev. 1
December 2024

FG/FGC-Series

Spring-Return Actuators Lug/Accessory Details



Notes:

Not certified dimensional drawings. Such drawings are available on request.
Contact factory with correct model designation and serial number.
All dimensions are expressed in inches.

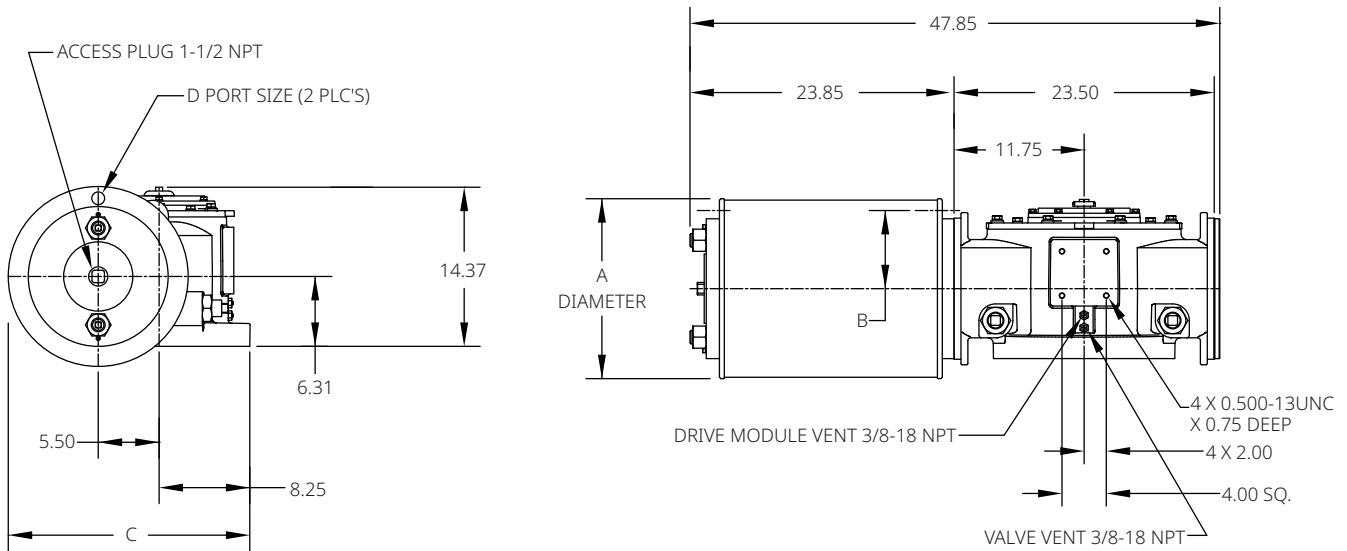


Data Sheet

VCPDS-17262-US Rev. 1
December 2024

FG/FGC-Series

Double-Acting Actuators FG50XX/FGC50XX (CW Model Shown)



Notes:

Not certified dimensional drawings. Such drawings are available on request.
Contact factory with correct model designation and serial number.
All dimensions are expressed in inches.

Table 21.

Actuator Model	A	B	C	D
FG5016/FGC5016	16.25	7.06	21.88	3/4 NPT
FG5020/FGC5020	20.25	8.00	23.88	3/4 NPT
FG5024/FGC5024	24.25	9.25	25.88	1 NPT
FG5028/FGC5028	29.00	12.06	28.25	1 NPT
FG5032/FGC5032	33.00	14.00	30.25	1-1/2 NPT
FG5036/FGC5036	37.25	16.00	32.38	1-1/2 NPT

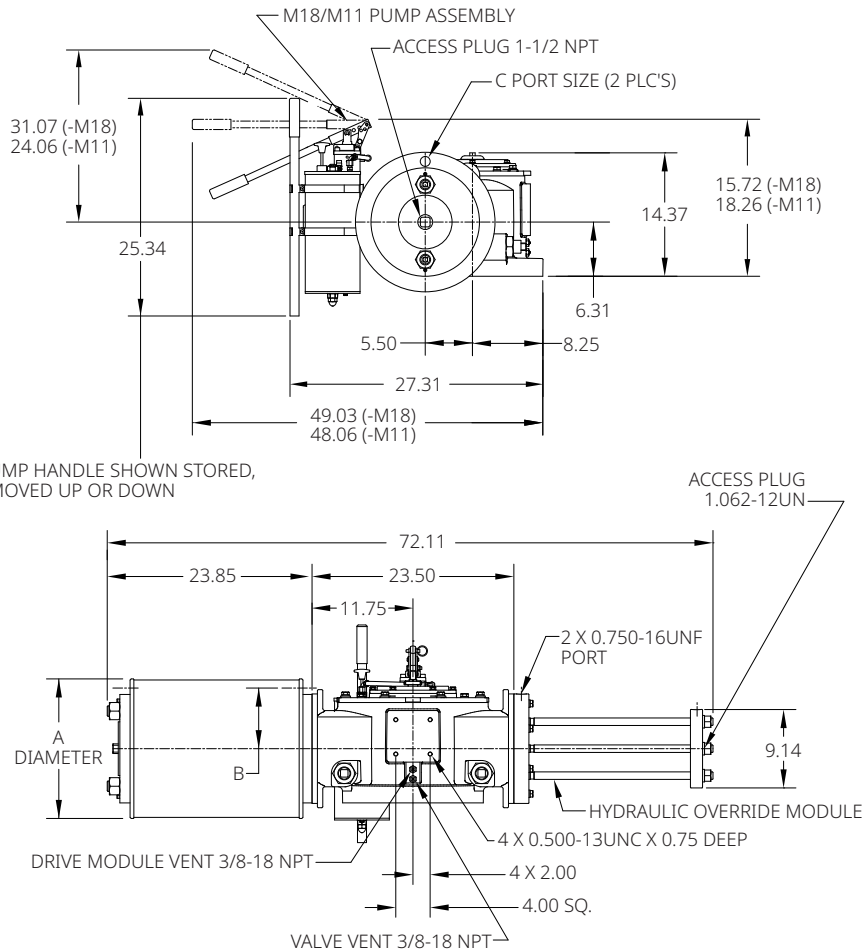


Data Sheet

VCPDS-17262-US Rev. 1
December 2024

FG/FGC-Series

FG50XX-M18/FGC50XX-M18 FG50XX-M11/FGC50XX-M11 (CW Model Shown)



Notes:
Not certified dimensional drawings. Such drawings are available on request.
Contact factory with correct model designation and serial number.
All dimensions are expressed in inches.

Table 22.

Actuator Model	A	B	C
FG5016-M18/FGC5016-M18	16.25	7.06	3/4 NPT
FG5020-M18/FGC5020-M18	20.25	8.00	3/4 NPT
FG5024-M18/FGC5024-M18	24.25	9.25	1 NPT
FG5028-M18/FGC5028-M18	29.00	12.06	1 NPT
FG5032-M18/FGC5032-M18	33.00	14.00	1-1/2 NPT
FG5036-M18/FGC5036-M18	37.25	16.00	1-1/2 NPT

Note:
Dimensions A, B and C remain the same in case -M11 in actuator model.

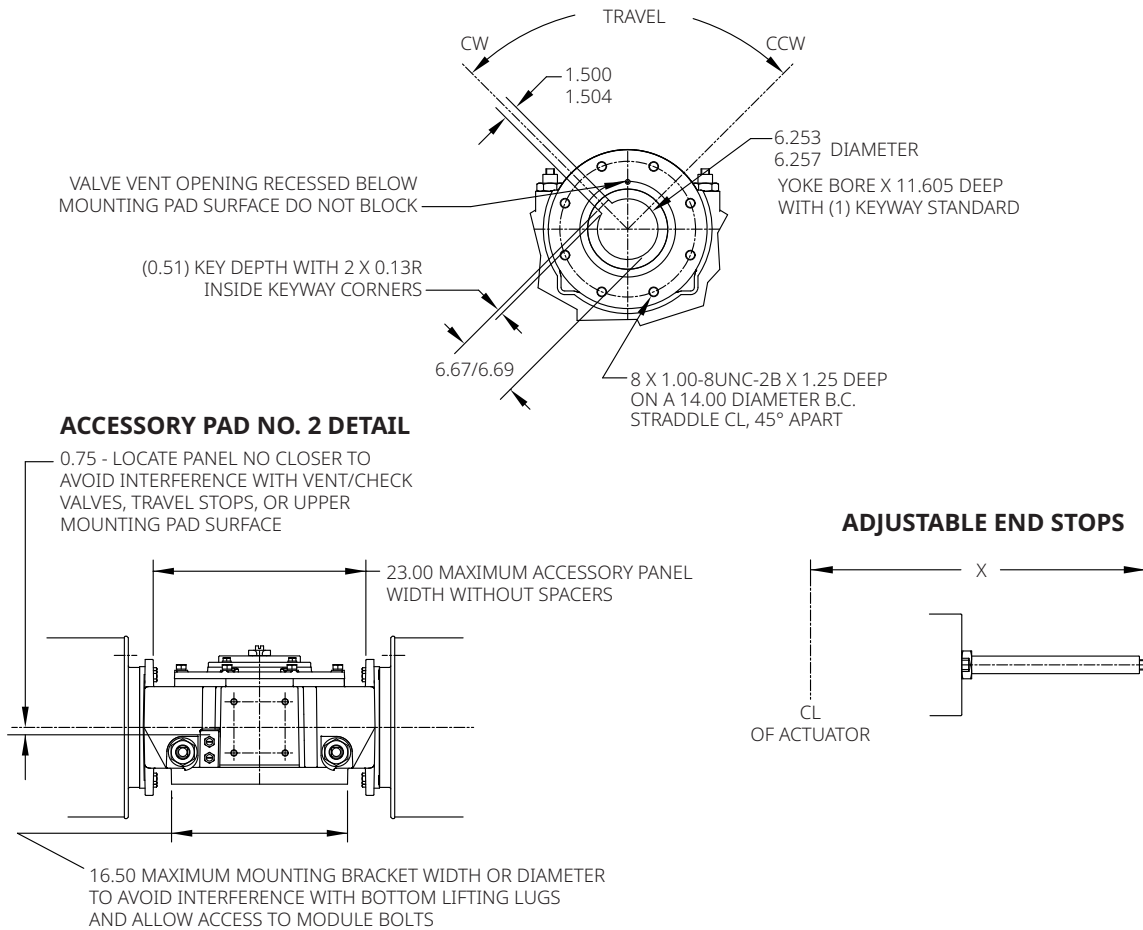


Data Sheet

VCPDS-17262-US Rev. 1
December 2024

FG/FGC-Series

Double-Acting Actuators Valve/Accessory Mounting Details



Notes:
Not certified dimensional drawings. Such drawings are available on request.
Contact factory with correct model designation and serial number.
All dimensions are expressed in inches.

Table 23.

	X Extended Travel Stop	X End Stop
Power Module	50.07	38.58
Blind End Cap Module	28.25	17.38
Spring Module	70.50	42.48

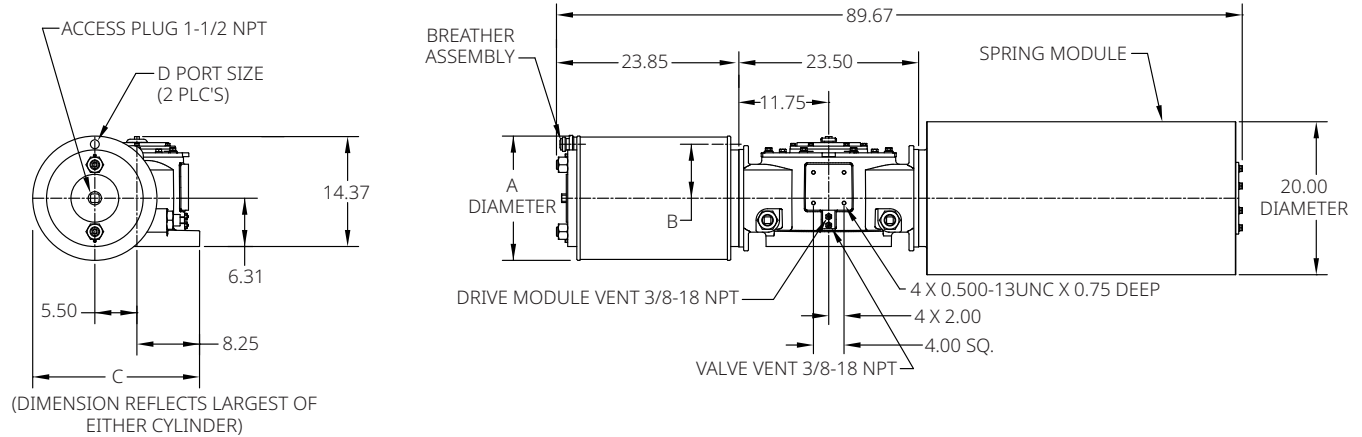


Data Sheet

VCPDS-17262-US Rev. 1
December 2024

FG/FGC-Series

Spring-Return Actuators FG50XX-SR/FGC50XX-SR (CW Model Shown)



Notes:

Not certified dimensional drawings. Such drawings are available on request.
Contact factory with correct model designation and serial number.
All dimensions are expressed in inches.

Table 24.

Actuator Model	A	B	C	D
FG5016-SR/FGC5016-SR	16.25	7.06	23.75	3/4 NPT
FG5020-SR/FGC5020-SR	20.25	8.00	23.88	3/4 NPT
FG5024-SR/FGC5024-SR	24.25	9.25	25.88	1 NPT
FG5028-SR/FGC5028-SR	29.00	12.06	28.25	1 NPT
FG5032-SR/FGC5032-SR	33.00	14.00	30.25	1-1/2 NPT
FG5036-SR/FGC5036-SR	37.25	16.00	32.38	1-1/2 NPT

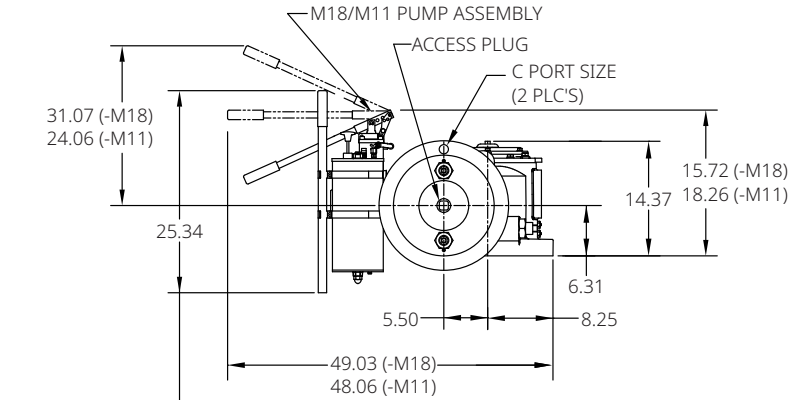


Data Sheet

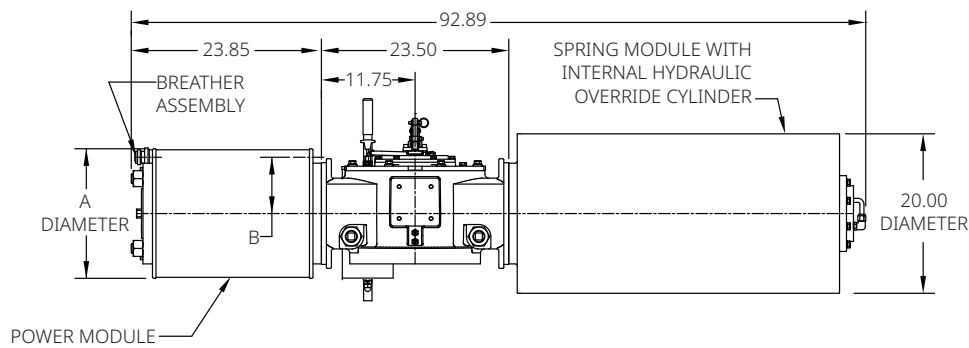
VCPDS-17262-US Rev. 1
December 2024

FG/FGC-Series

FG50XX-SR-M18/FGC50XX-SR-M18 FG50XX-SR-M11/FGC50XX-SR-M11 (CW Model Shown)



NOTE: PUMP HANDLE SHOWN STORED,
MAY BE MOVED UP OR DOWN



Notes:

Not certified dimensional drawings. Such drawings are available on request.
Contact factory with correct model designation and serial number.
All dimensions are expressed in inches.

Table 25.

Actuator Model	A	B	C
FG5016-SR-M18/FGC5016-SR-M18	16.25	7.06	3/4 NPT
FG5020-SR-M18/FGC5020-SR-M18	20.25	8.00	3/4 NPT
FG5024-SR-M18/FGC5024-SR-M18	24.25	9.25	1 NPT
FG5028-SR-M18/FGC5028-SR-M18	29.00	12.06	1 NPT
FG5032-SR-M18/FGC5032-SR-M18	33.00	14.00	1-1/2 NPT
FG5036-SR-M18/FGC5036-SR-M18	37.25	16.00	1-1/2 NPT

Note:

Dimensions A, B and C remain the same in case -M11 in actuator model.

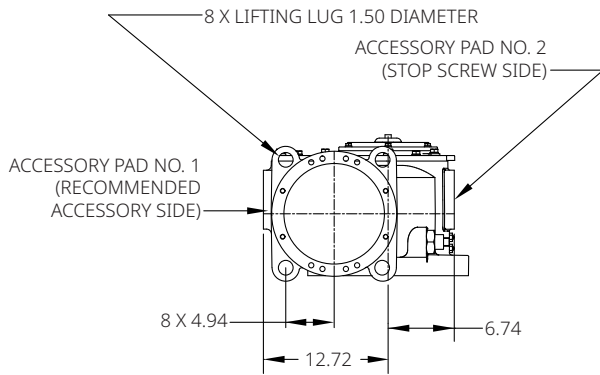


Data Sheet

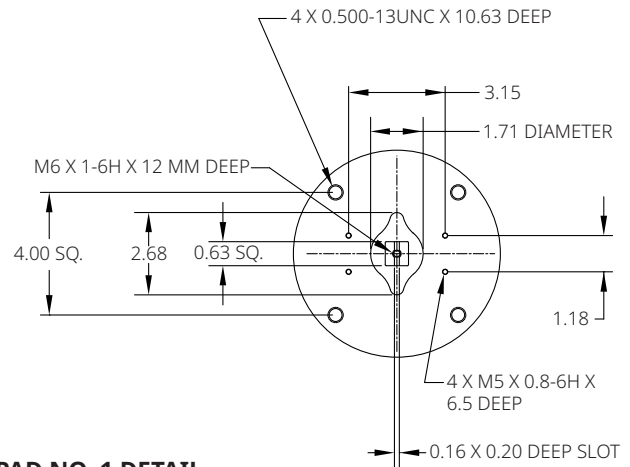
VCPDS-17262-US Rev. 1
December 2024

FG/FGC-Series

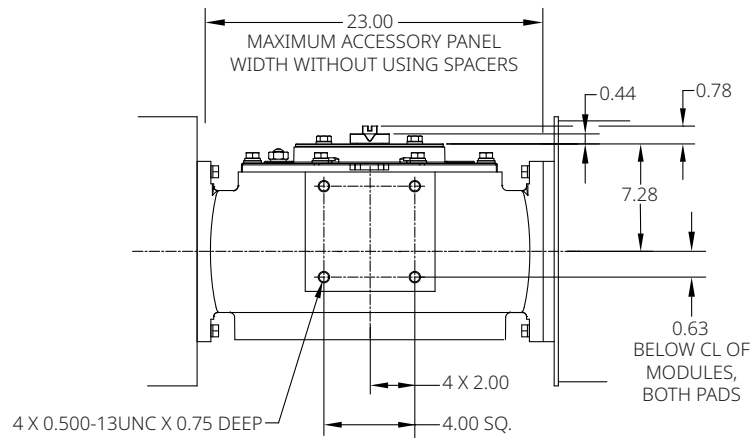
Spring-Return Actuators Lug/Accessory Details



TOPWORKS DETAIL YOKE COVER



ACCESSORY PAD NO. 1 DETAIL



Notes:

Not certified dimensional drawings. Such drawings are available on request.
Contact factory with correct model designation and serial number.
All dimensions are expressed in inches.

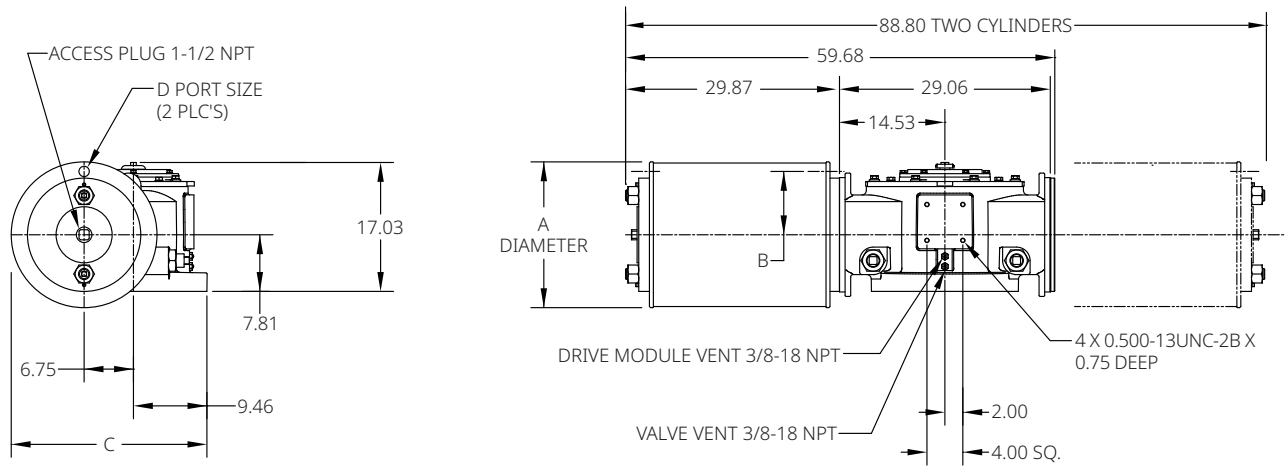


Data Sheet

VCPDS-17262-US Rev. 1
December 2024

FG/FGC-Series

Double-Acting Actuators FG70XX/FGC70XX or FG702XX/FGC702XX (CW Model Shown)



Notes:

Not certified dimensional drawings. Such drawings are available on request.
Contact factory with correct model designation and serial number.
All dimensions are expressed in inches.

Table 26.

Actuator Model	A	B	C	D
FG7020/FGC7020	20.25	8.75	26.34	3/4 NPT
FG7024/FGC7024	24.25	9.63	28.34	1 NPT
FG7028/FGC7028	29.00	11.25	30.71	1-1/2 NPT
FG7032/FGC7032	33.00	14.00	32.71	1-1/2 NPT
FG7036/FGC7036	37.25	16.00	34.84	1-1/2 NPT
FG70228/FGC70228	29.00	11.25	30.71	1-1/2 NPT

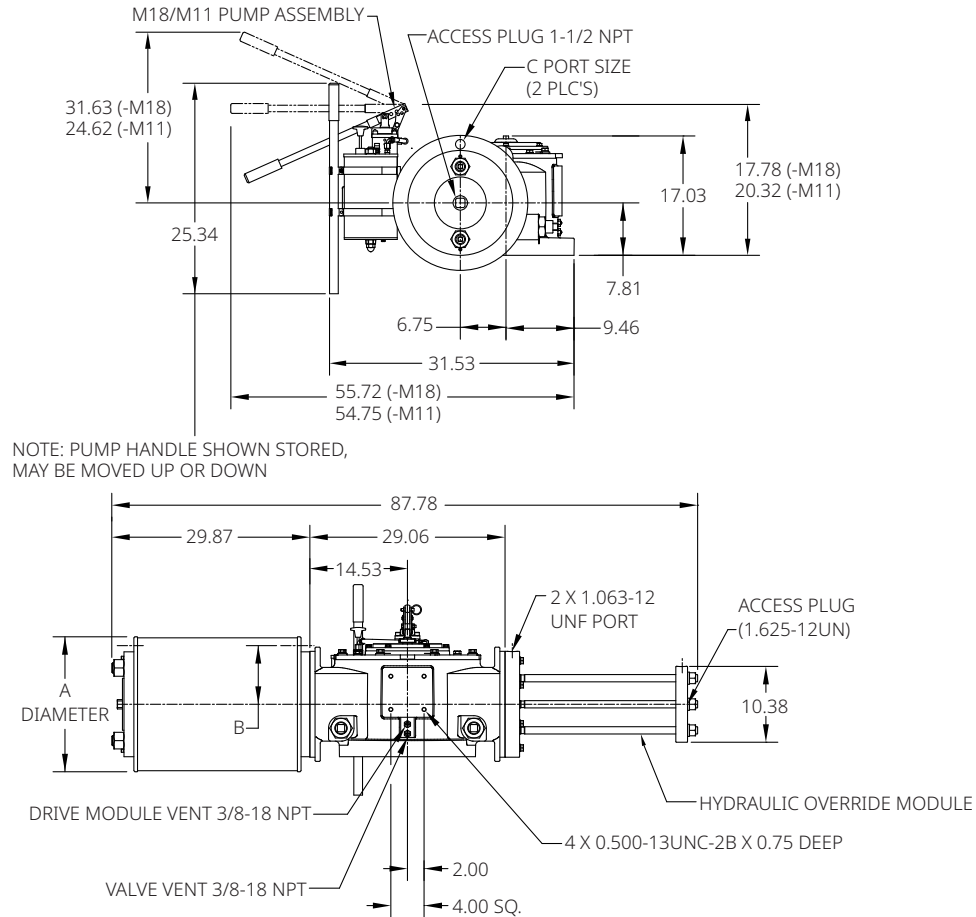


Data Sheet

VCPDS-17262-US Rev. 1
December 2024

FG/FGC-Series

FG70XX-M18/FGC70XX-M18 FG70XX-M11/FGC70XX-M11 (CW Model Shown)



Notes:

Not certified dimensional drawings. Such drawings are available on request.
Contact factory with correct model designation and serial number.
All dimensions are expressed in inches.

Table 27.

Actuator Model	A	B	C
FG7020-M18/FGC7020-M18	20.25	8.75	3/4 NPT
FG7024-M18/FGC7024-M18	24.25	9.63	1 NPT
FG7028-M18/FGC7028-M18	29.00	11.25	1-1/2 NPT
FG7032-M18/FGC7032-M18	33.00	14.00	1-1/2 NPT
FG7036-M18/FGC7036-M18	37.25	16.00	1-1/2 NPT

Note:

Dimensions A, B and C remain the same in case -M11 in actuator model.

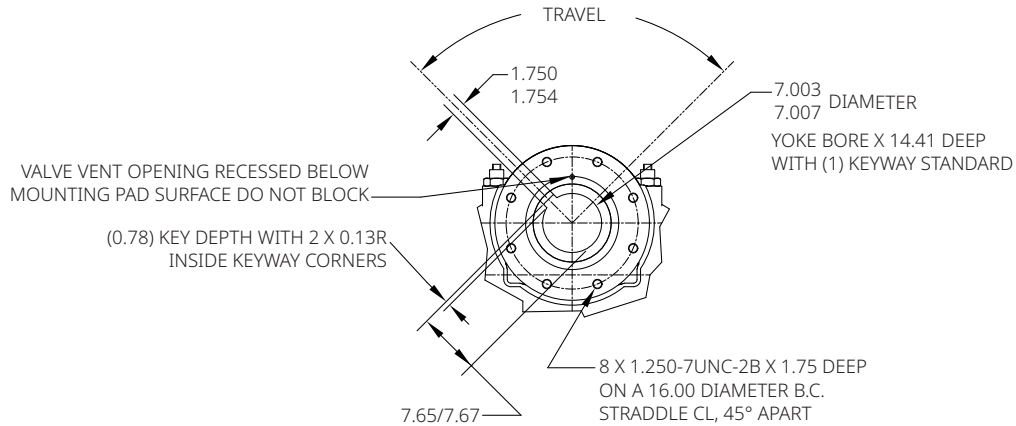


Data Sheet

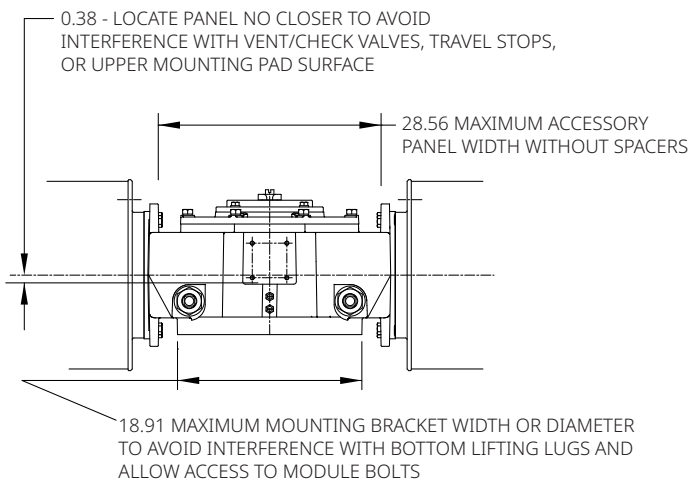
VCPDS-17262-US Rev. 1
December 2024

FG/FGC-Series

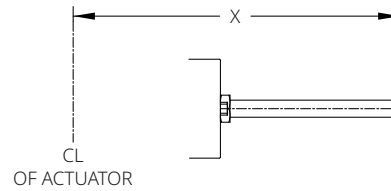
Double-Acting Actuators Valve/Accessory Mounting Details



ACCESSORY PAD NO. 2 DETAIL



ADJUSTABLE END STOPS



Notes:

Not certified dimensional drawings. Such drawings are available on request. Contact factory with correct model designation and serial number. All dimensions are expressed in inches.

Table 28.

	X Extended Travel Stop	X End Stop
Power Module	60.97	46.72
Blind End Cap Module	35.53	21.28
Spring Module	91.10	54.44

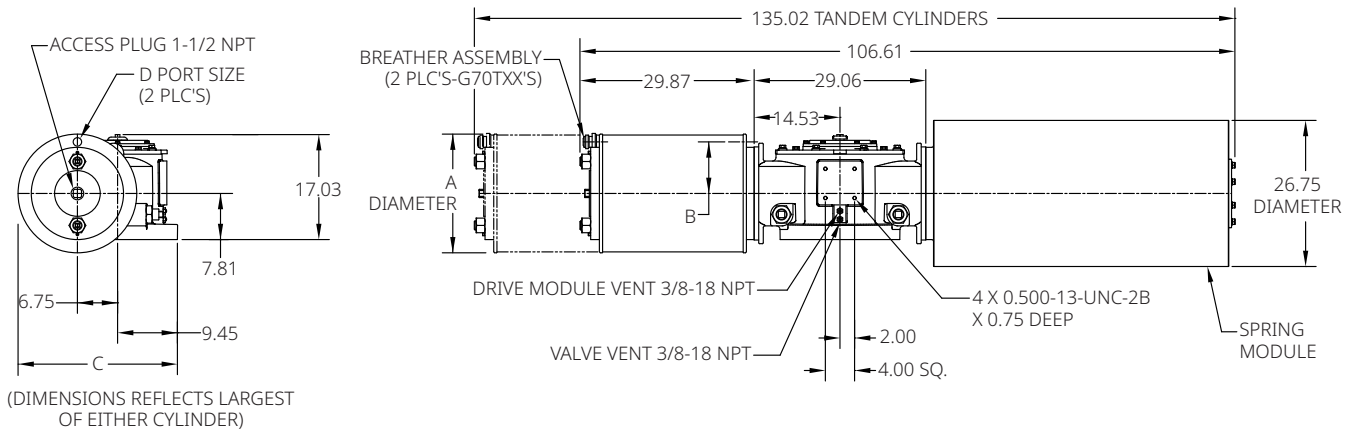


Data Sheet

VCPDS-17262-US Rev. 1
December 2024

FG/FGC-Series

Spring-Return Actuators FG70XX-SR/FGC70XX-SR or FG70TXX-SR/FGC70TXX-SR (CW Model Shown)



Notes:

Not certified dimensional drawings. Such drawings are available on request. Contact factory with correct model designation and serial number. All dimensions are expressed in inches.

Table 29.

Actuator Model	A	B	C	D
FG7020-SR/FGC7020-SR	20.25	8.75	29.59	3/4 NPT
FG7024-SR/FGC7024-SR	24.25	9.63	29.59	1 NPT
FG7028-SR/FGC7028-SR	29.00	11.25	30.71	1-1/2 NPT
FG7032-SR/FGC7032-SR	33.00	14.00	32.71	1-1/2 NPT
FG7036-SR/FGC7036-SR	37.25	16.00	34.84	1-1/2 NPT
FG70T28-SR/FGC70T28-SR	29.00	11.25	30.71	1-1/2 NPT

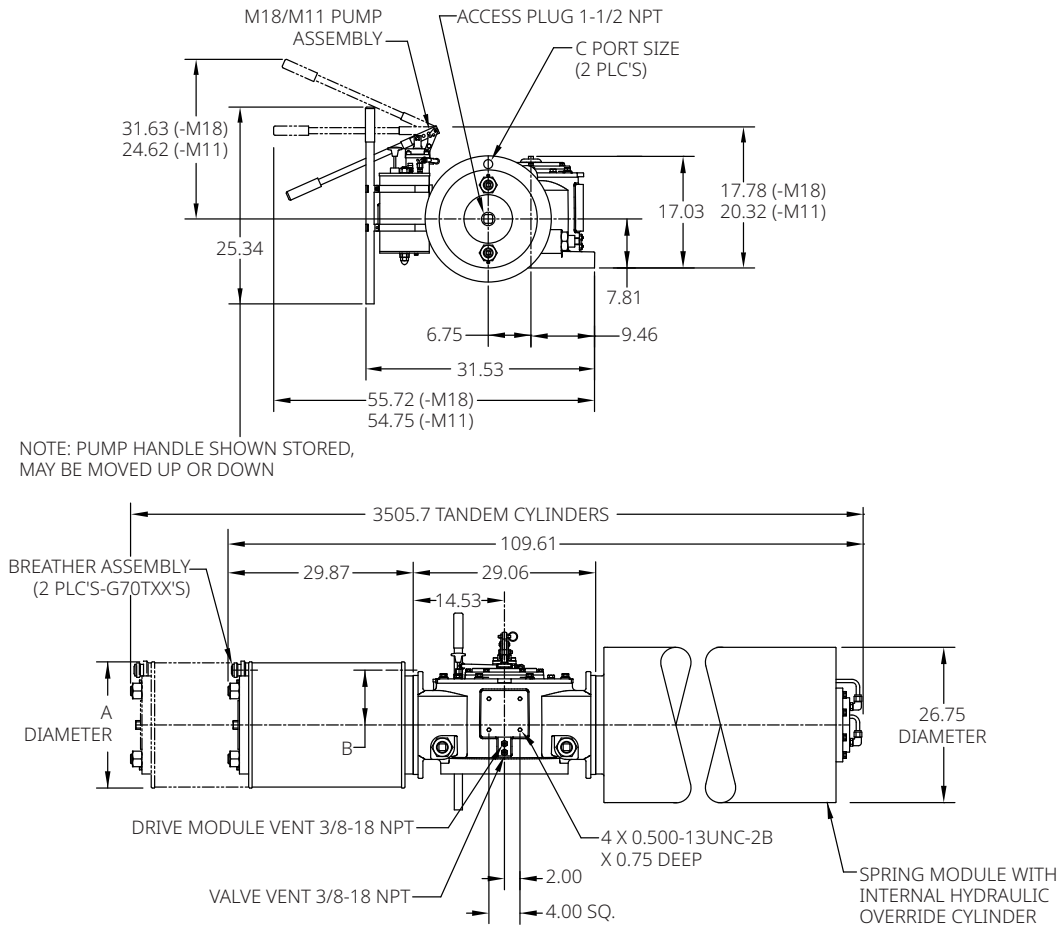


Data Sheet

VCPDS-17262-US Rev. 1
December 2024

FG/FGC-Series

FG70XX-SR-M18/FGC70XX-SR-M18 or FG70TXX-SR-M18/FGC70TXX-SR-M18 FG70XX-SR-M11/FGC70XX-SR-M11 or FG70TXX-SR-M11/FGC70TXX-SR-M11 (CW Model Shown)



Notes:
Not certified dimensional drawings. Such drawings are available on request.
Contact factory with correct model designation and serial number.
All dimensions are expressed in inches.

Table 30.

Actuator Model	A	B	C
FG7020-SR-M18/FGC7020-SR-M18	20.25	8.75	3/4 NPT
FG7024-SR-M18/FGC7024-SR-M18	24.25	9.63	1 NPT
FG7028-SR-M18/FGC7028-SR-M18	29.00	11.25	1-1/2 NPT
FG7032-SR-M18/FGC7032-SR-M18	33.00	14.00	1-1/2 NPT
FG7036-SR-M18/FGC7036-SR-M18	37.25	16.00	1-1/2 NPT
FG70T28-SR-M18/FGC70T28-SR-M18	29.00	11.25	1-1/2 NPT

Note:
Dimensions A, B and C remain the same in case -M11 in actuator model.

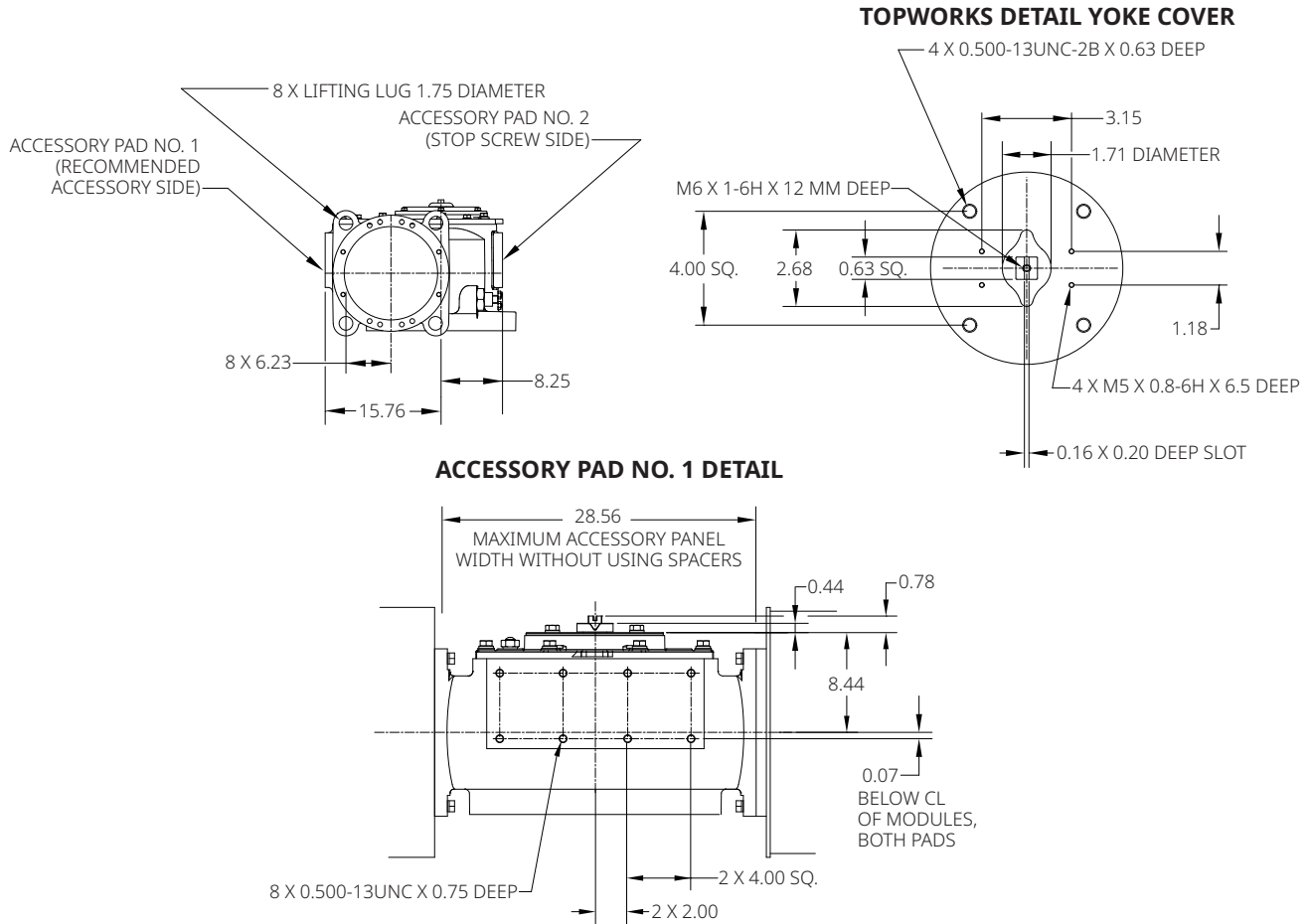


Data Sheet

VCPDS-17262-US Rev. 1
December 2024

FG/FGC-Series

Spring-Return Actuators Lug/Accessory Details



Notes:

Not certified dimensional drawings. Such drawings are available on request.
Contact factory with correct model designation and serial number.
All dimensions are expressed in inches.

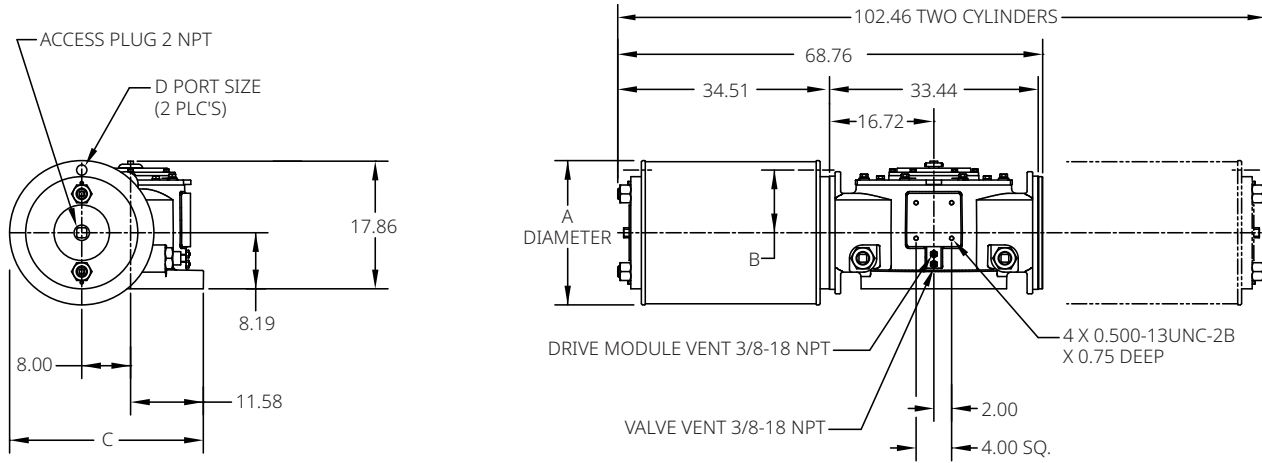


Data Sheet

VCPDS-17262-US Rev. 1
December 2024

FG/FGC-Series

Double-Acting Actuators FG80XX/FGC80XX or FG802XX/FGC802XX (CW Model Shown)



Notes:

Not certified dimensional drawings. Such drawings are available on request.
Contact factory with correct model designation and serial number.
All dimensions are expressed in inches.

Table 31.

Actuator Model	A	B	C	D
FG8024/FGC8024	24.25	9.63	31.71	1 NPT
FG8028/FGC8028	29.00	12.38	34.08	1-1/2 NPT
FG8032/FGC8032	33.00	13.38	36.08	1-1/2 NPT
FG8036/FGC8036	37.25	16.00	38.21	1-1/2 NPT
FG8040/FGC8040	41.25	18.00	40.21	2 NPT
FG80232/FGC80232	33.00	13.38	36.08	1-1/2 NPT
FG80236/FGC80236	37.25	16.00	38.21	1-1/2 NPT

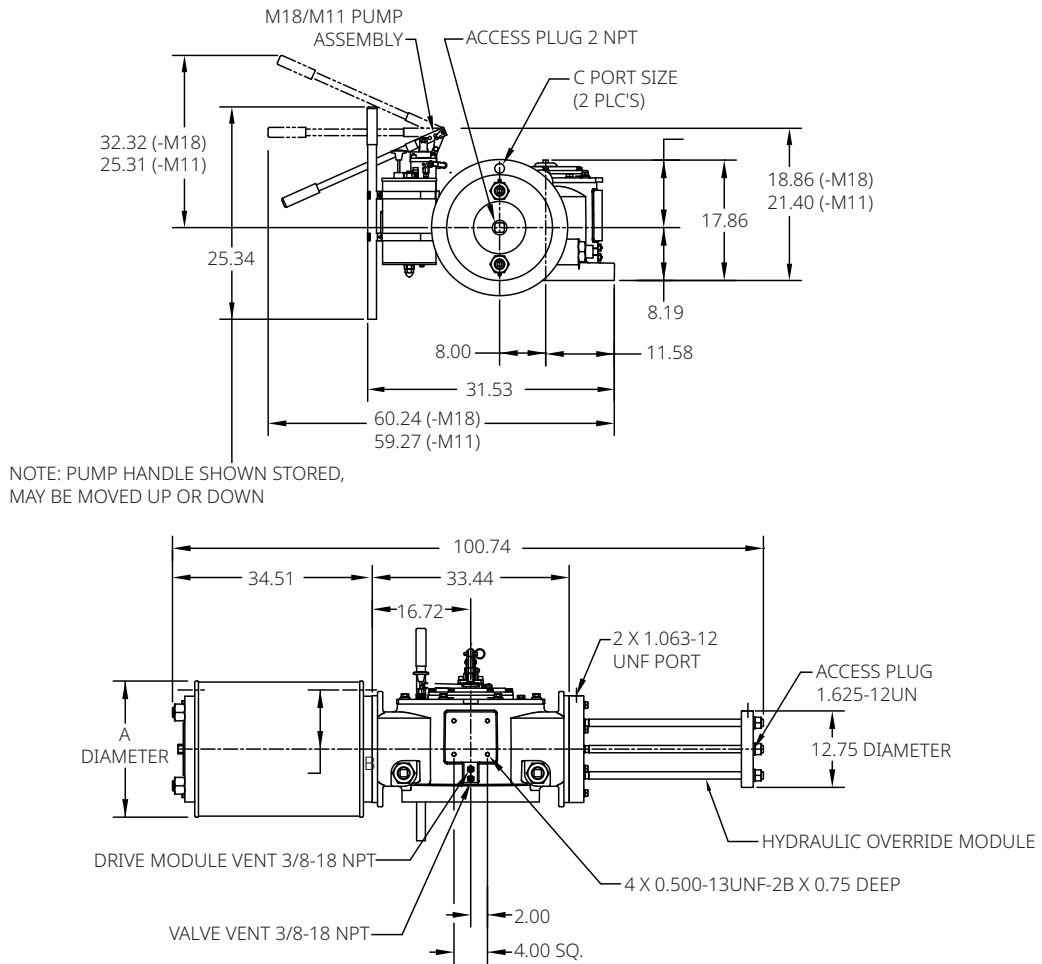


Data Sheet

VCPDS-17262-US Rev. 1
December 2024

FG/FGC-Series

FG80XX-M18/FGC80XX-M18 FG80XX-M11/FGC80XX-M11 (CW Model Shown)



Notes:
Not certified dimensional drawings. Such drawings are available on request.
Contact factory with correct model designation and serial number.
All dimensions are expressed in inches.

Table 32.

Actuator Model	A	B	C
FG8024-M18/FGC8024-M18	24.25	9.63	1 NPT
FG8028-M18/FGC8028-M18	29.00	12.38	1-1/2 NPT
FG8032-M18/FGC8032-M18	33.00	13.38	1-1/2 NPT
FG8036-M18/FGC8036-M18	37.25	16.00	1-1/2 NPT
FG8040-M18/FGC8040-M18	41.25	18.00	2 NPT

Note:
Dimensions A, B and C remain the same in case -M11 in actuator model.

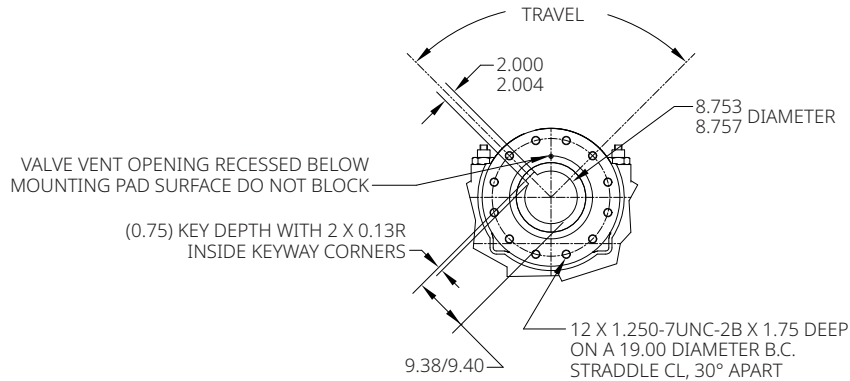


Data Sheet

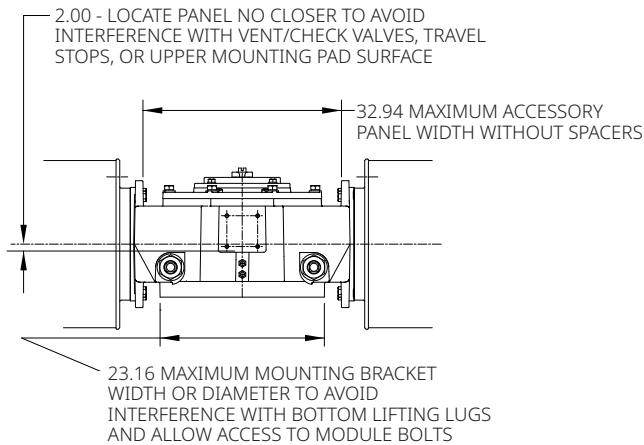
VCPDS-17262-US Rev. 1
December 2024

FG/FGC-Series

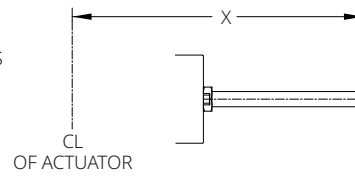
Double-Acting Actuators Valve/Accessory Mounting Details



ACCESSORY PAD NO. 2 DETAIL



ADJUSTABLE END STOPS



Notes:

Not certified dimensional drawings. Such drawings are available on request.
Contact factory with correct model designation and serial number.
All dimensions are expressed in inches.

Table 33.

	X Extended Travel Stop	X End Stop
Power Module	70.94	54.39
Blind End Cap Module	40.66	24.92
Spring Module	112.04	71.00

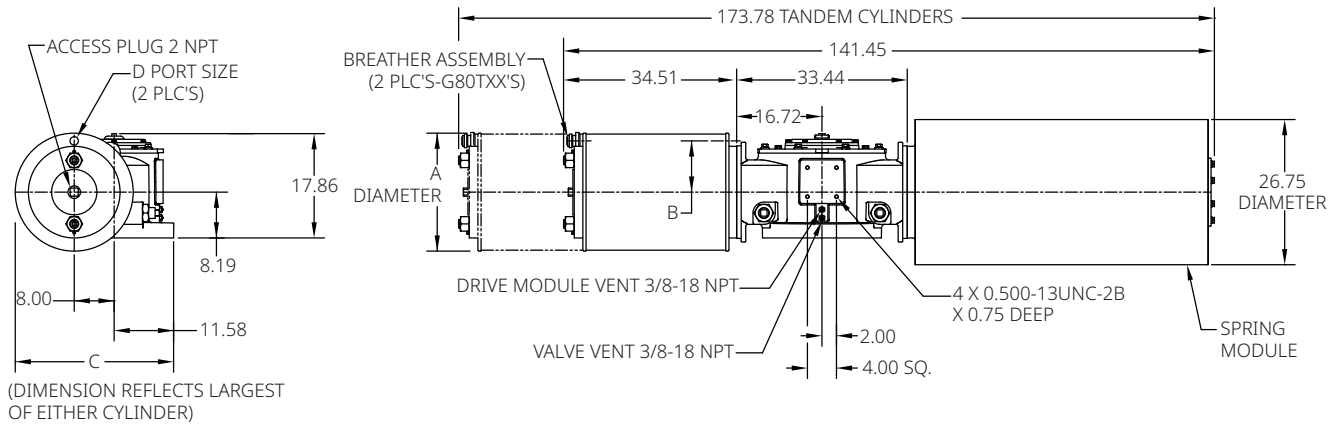


Data Sheet

VCPDS-17262-US Rev. 1
December 2024

FG/FGC-Series

Spring-Return Actuators FG80XX-SR/FGC80XX-SR or FG80TXX-SR/FGC80TXX-SR (CW Model Shown)



Notes:

Not certified dimensional drawings. Such drawings are available on request.
Contact factory with correct model designation and serial number.
All dimensions are expressed in inches.

Table 34.

Actuator Model	A	B	C	D
FG8024-SR/FGC8024-SR	24.25	9.63	32.96	1 NPT
FG8028-SR/FGC8028-SR	29.00	12.38	34.08	1-1/2 NPT
FG8032-SR/FGC8032-SR	33.00	13.38	36.08	1-1/2 NPT
FG8036-SR/FGC8036-SR	37.25	16.00	38.21	1-1/2 NPT
FG8040-SR/FGC8040-SR	41.25	18.00	40.21	2 NPT
FG80T32-SR/FGC80T32-SR	33.00	13.38	36.08	1-1/2 NPT
FG80T36-SR/FGC80T36-SR	37.25	16.00	38.21	1-1/2 NPT

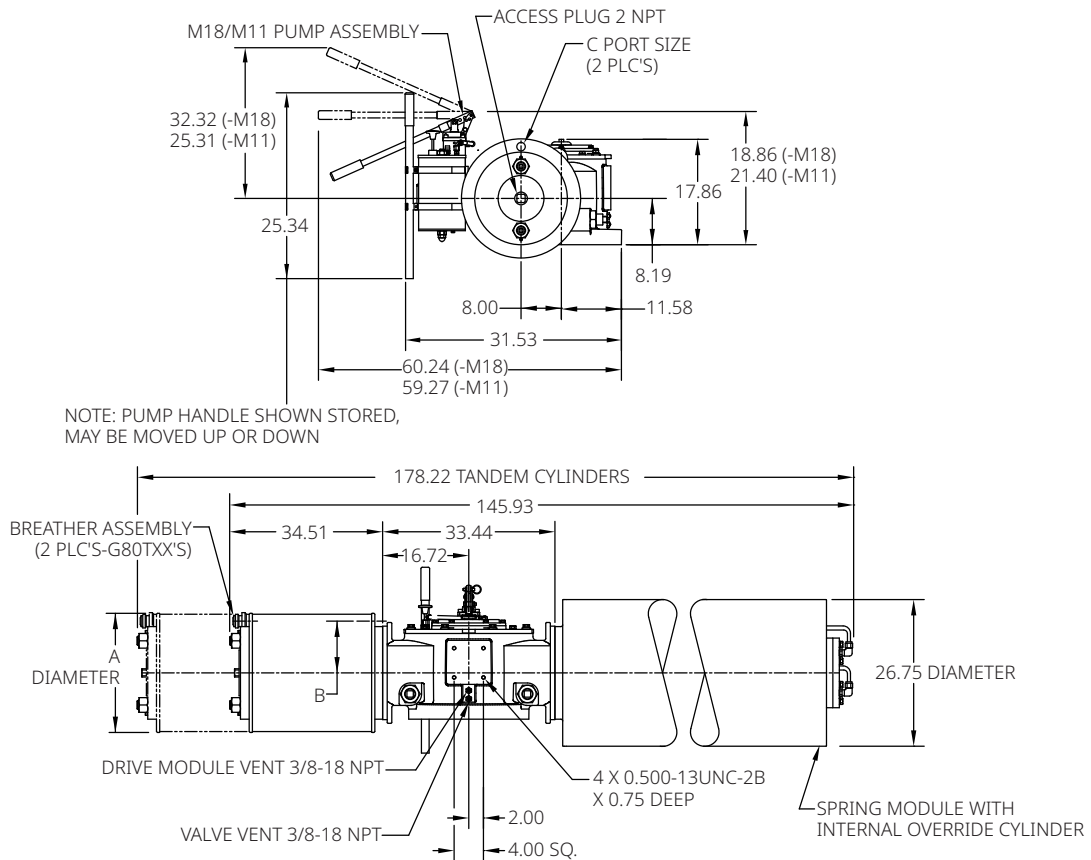


Data Sheet

VCPDS-17262-US Rev. 1
December 2024

FG/FGC-Series

FG80XX-SR-M18/FGC80XX-SR-M18 or FG80TXX-SR-M18/FGC80TXX-SR-M18 FG80XX-SR-M11/FGC80XX-SR-M11 or FG80TXX-SR-M11/FGC80TXX-SR-M11 (CW Model Shown)



Notes:

Not certified dimensional drawings. Such drawings are available on request.
Contact factory with correct model designation and serial number.
All dimensions are expressed in inches.

Table 35.

Actuator Model	A	B	C
FG8024-SR-M18/FGC8024-SR-M18	24.25	9.63	1 NPT
FG8028-SR-M18/FGC8028-SR-M18	29.00	12.38	1-1/2 NPT
FG8032-SR-M18/FGC8032-SR-M18	33.00	13.38	1-1/2 NPT
FG8036-SR-M18/FGC8036-SR-M18	37.25	16.00	1-1/2 NPT
FG8040-SR-M18/FGC8040-SR-M18	41.25	18.00	2 NPT
FG80T32-SR-M18/FGC80T32-SR-M18	33.00	13.38	1-1/2 NPT
FG80T36-SR-M18/FGC80T36-SR-M18	37.25	16.00	1-1/2 NPT

Note:

Dimensions A, B and C remain the same in case -M11 in actuator model.

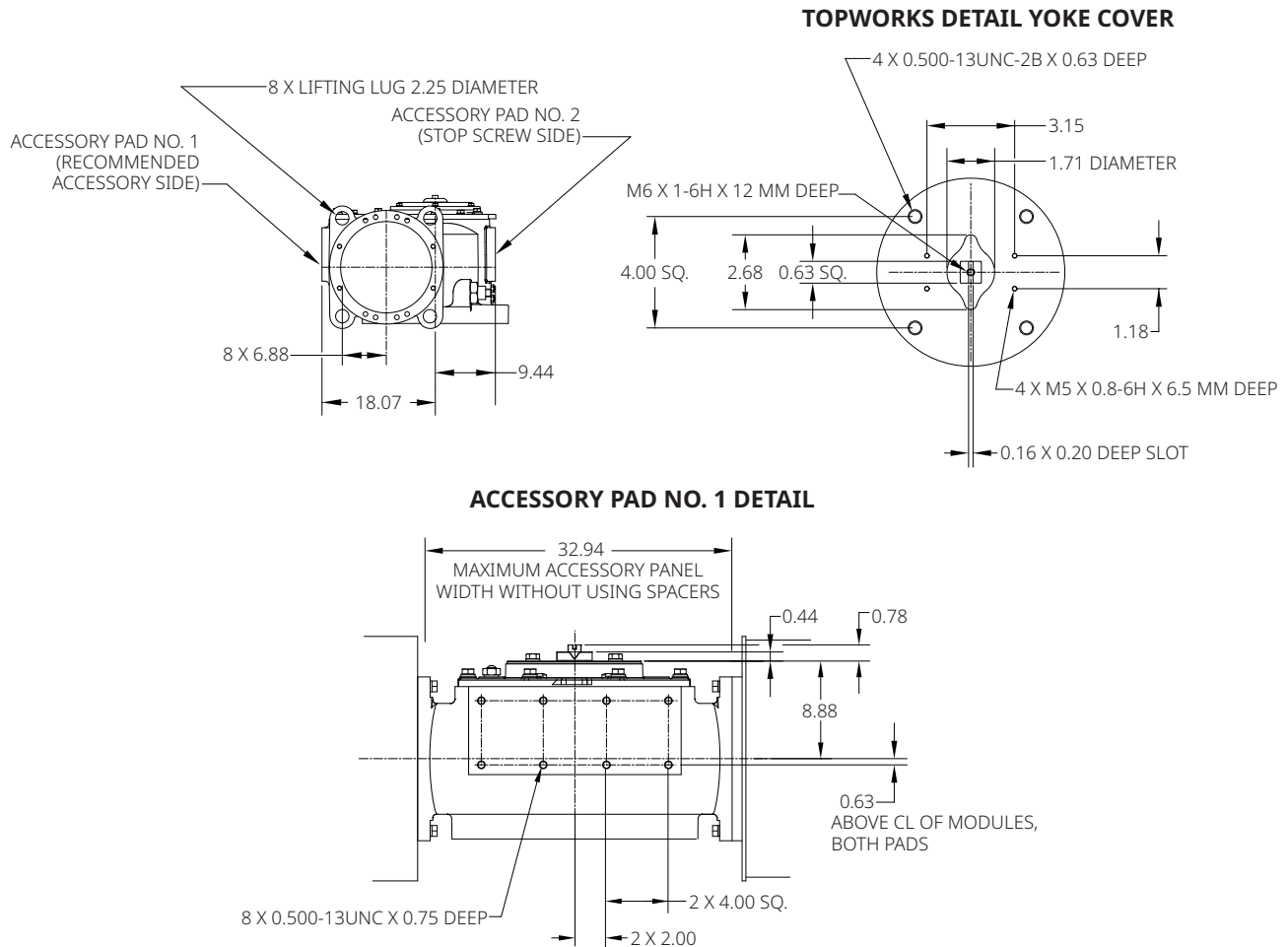


Data Sheet

VCPDS-17262-US Rev. 1
December 2024

FG/FGC-Series

Spring-Return Actuators Lug/Accessory Details



Notes:

Not certified dimensional drawings. Such drawings are available on request.
Contact factory with correct model designation and serial number.
All dimensions are expressed in inches.

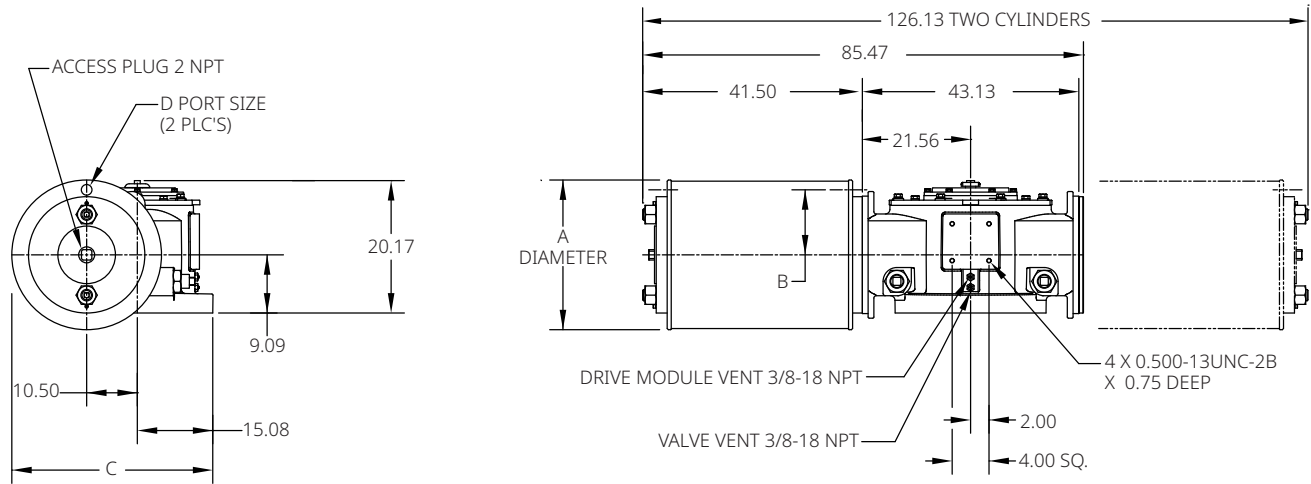


Data Sheet

VCPDS-17262-US Rev. 1
December 2024

FG/FGC-Series

Double-Acting Actuators FG100XX/FGC100XX or FG1002XX/FGC1002XX (CW Model Shown)



Notes:

Not certified dimensional drawings. Such drawings are available on request.
Contact factory with correct model designation and serial number.
All dimensions are expressed in inches.

Table 36.

Actuator Model	A	B	C	D
FG10028/FGC10028	29.00	12.38	40.08	1-1/2 NPT
FG10032/FGC10032	33.00	13.38	42.08	1-1/2 NPT
FG10036/FGC10036	37.25	16.00	44.21	2 NPT
FG10040/FGC10040	41.25	18.00	46.21	2 NPT
FG100232/FGC100232	33.00	13.38	42.08	1-1/2 NPT
FG100236/FGC100236	37.25	16.00	44.21	2 NPT
FG100240/FGC100240	41.25	18.00	46.21	2 NPT

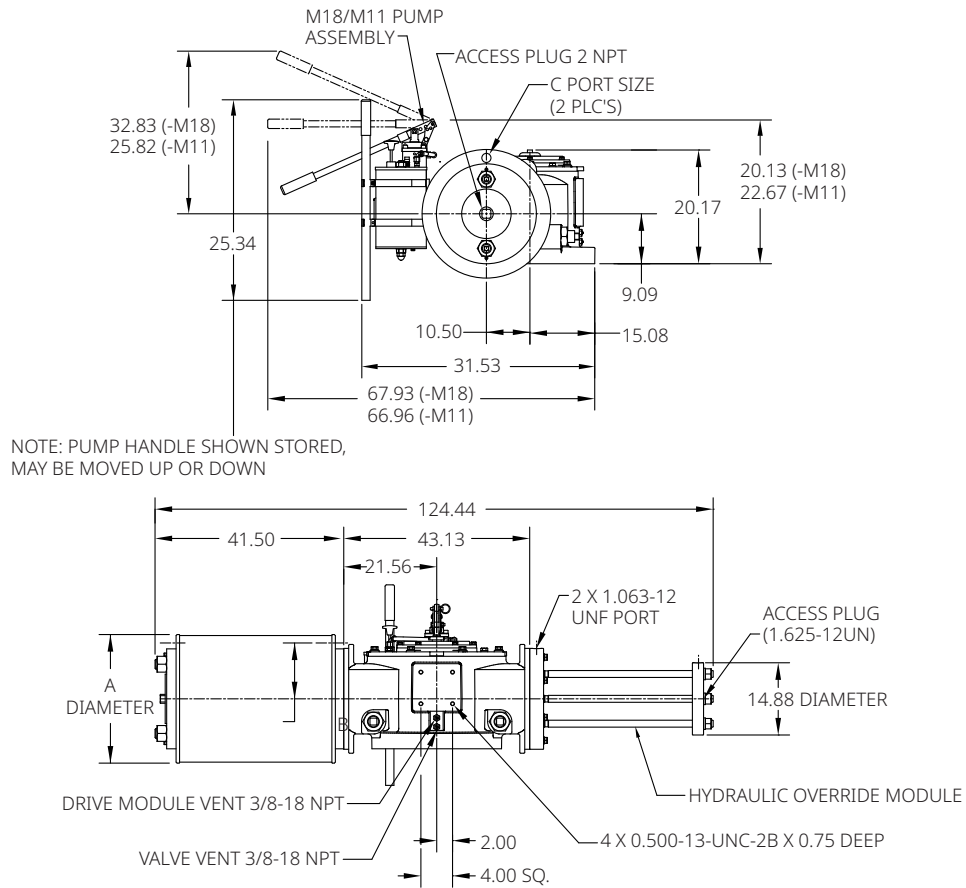


Data Sheet

VCPDS-17262-US Rev. 1
December 2024

FG/FGC-Series

FG100XX-M18/FGC100XX-M18 FG100XX-M11/FGC100XX-M11 (CW Model Shown)



Notes:
Not certified dimensional drawings. Such drawings are available on request.
Contact factory with correct model designation and serial number.
All dimensions are expressed in inches.

Table 37.

Actuator Model	A	B	C
FG10028-M18/FGC10028-M18	29.00	12.38	1-1/2 NPT
FG10032-M18/FGC10032-M18	33.00	13.38	1-1/2 NPT
FG10036-M18/FGC10036-M18	37.25	16.00	2 NPT
FG10040-M18/FGC10040-M18	41.25	18.00	2 NPT

Note:
Dimensions A, B and C remain the same in case -M11 in actuator model.

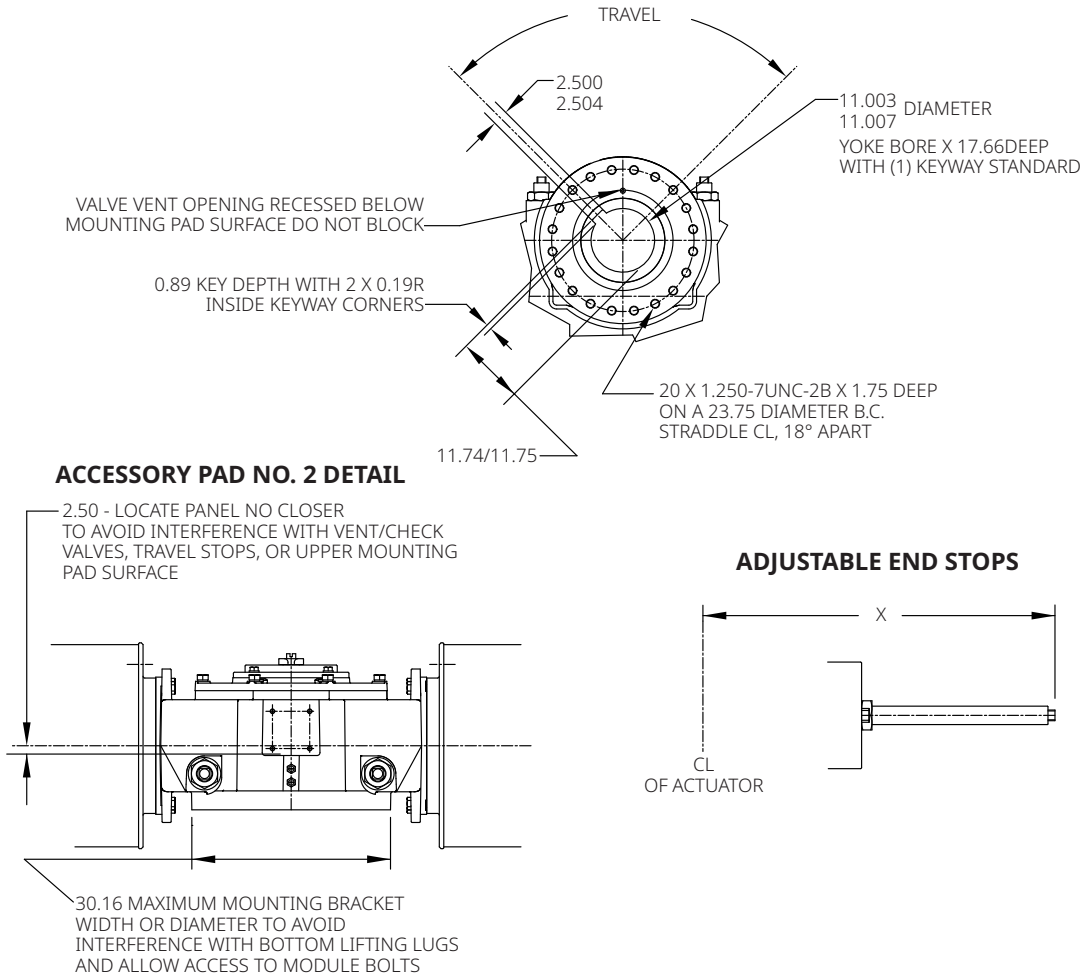


Data Sheet

VCPDS-17262-US Rev. 1
December 2024

FG/FGC-Series

Double-Acting Actuators Valve/Accessory Mounting Details



Notes:

Not certified dimensional drawings. Such drawings are available on request.
Contact factory with correct model designation and serial number.
All dimensions are expressed in inches.

Table 38.

	X Extended Travel Stop	X End Stop
Power Module	89.08	80.08
Blind End Cap Module	Consult Factory	Consult Factory
Spring Module	Consult Factory	Consult Factory

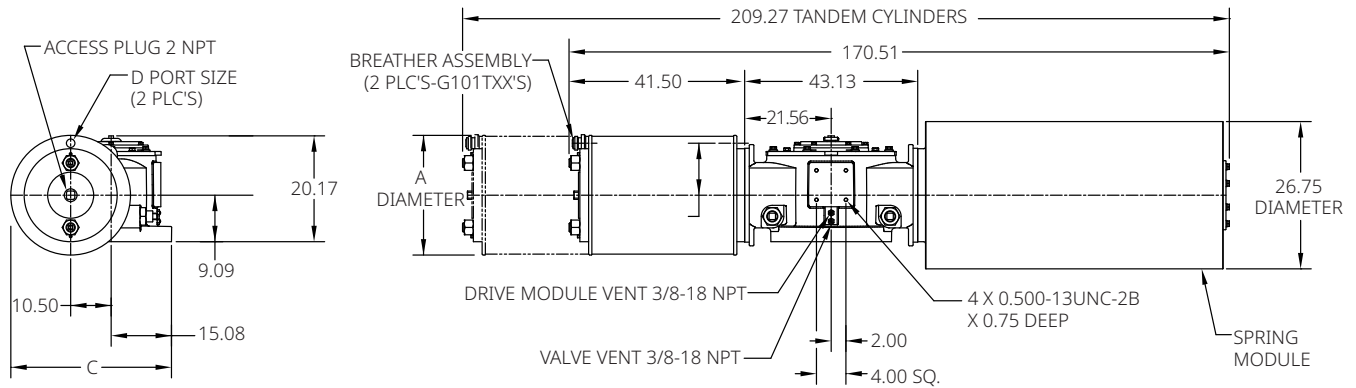


Data Sheet

VCPDS-17262-US Rev. 1
December 2024

FG/FGC-Series

Spring-Return Actuators FG100XX-SR/FGC100XX-SR or FG100TXX-SR/FGC100TXX-SR (CW Model Shown)



Notes:

Not certified dimensional drawings. Such drawings are available on request.
Contact factory with correct model designation and serial number.
All dimensions are expressed in inches.

Table 39.

Actuator Model	A	B	C	D
FG10028-SR/FGC10028-SR	29.00	12.38	40.08	1-1/2 NPT
FG10032-SR/FGC10032-SR	33.00	13.38	42.08	1-1/2 NPT
FG10036-SR/FGC10036-SR	37.25	16.00	44.21	2 NPT
FG10040-SR/FGC10040-SR	41.25	18.00	46.21	2 NPT
FG100T32-SR/FGC100T32-SR	33.00	13.38	42.08	1-1/2 NPT
FG100T36-SR/FGC100T36-SR	37.25	16.00	44.21	2 NPT
FG100T40-SR/FGC100T40-SR	41.25	18.00	46.21	2 NPT

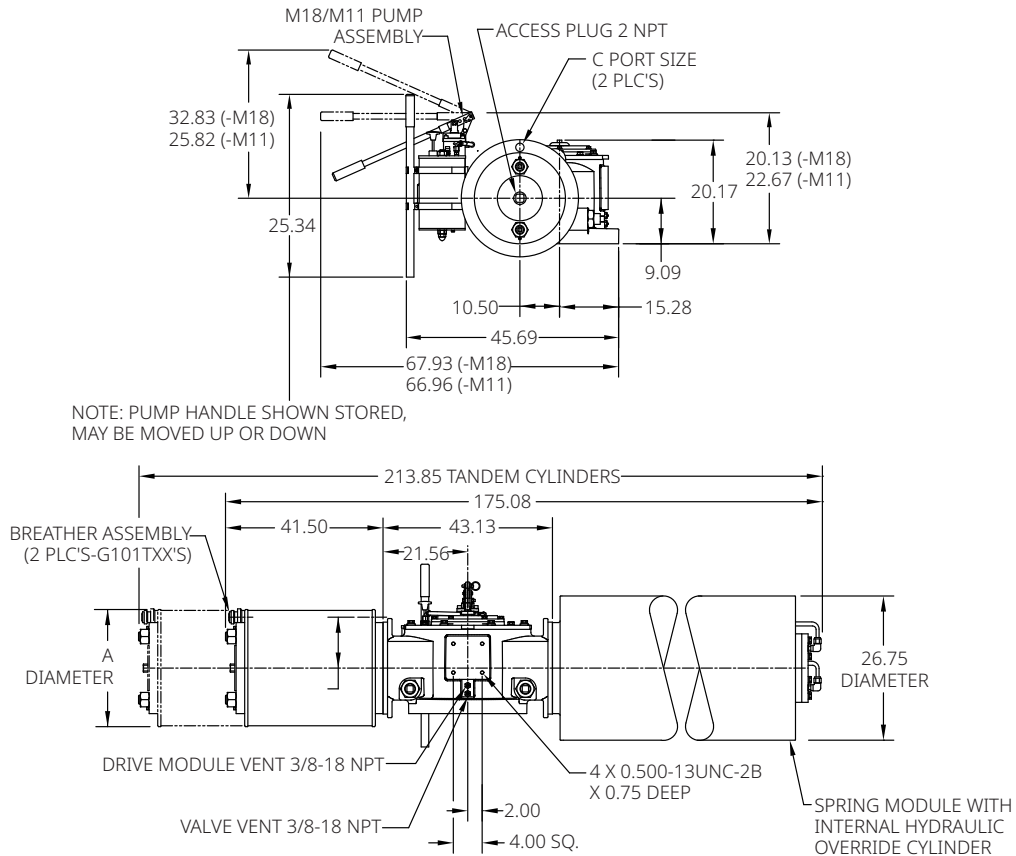


Data Sheet

VCPDS-17262-US Rev. 1
December 2024

FG/FGC-Series

FG100XX-SR-M18/FGC100XX-SR-M18 or FG100TXX-SR-M18/FGC100TXX-SR-M18 FG100XX-SR-M11/FGC100XX-SR-M11 or FG100TXX-SR-M11/FGC100TXX-SR-M11 (CW Model Shown)



Notes:
Not certified dimensional drawings. Such drawings are available on request.
Contact factory with correct model designation and serial number.
All dimensions are expressed in inches.

Table 40.

Actuator Model	A	B	C
FG10028-SR-M18/FGC10028-SR-M18	29.00	12.38	1-1/2 NPT
FG10032-SR-M18/FGC10032-SR-M18	33.00	13.38	1-1/2 NPT
FG10036-SR-M18/FGC10036-SR-M18	37.25	16.00	2 NPT
FG10040-SR-M18/FGC10040-SR-M18	41.25	18.00	2 NPT
FG100T32-SR-M18/FGC100T32-SR-M18	33.00	13.38	1-1/2 NPT
FG100T36-SR-M18/FGC100T36-SR-M18	37.25	16.00	2 NPT
FG100T40-SR-M18/FGC100T40-SR-M18	41.25	18.00	2 NPT

Note:
Dimensions A, B and C remain the same in case -M11 in actuator model.

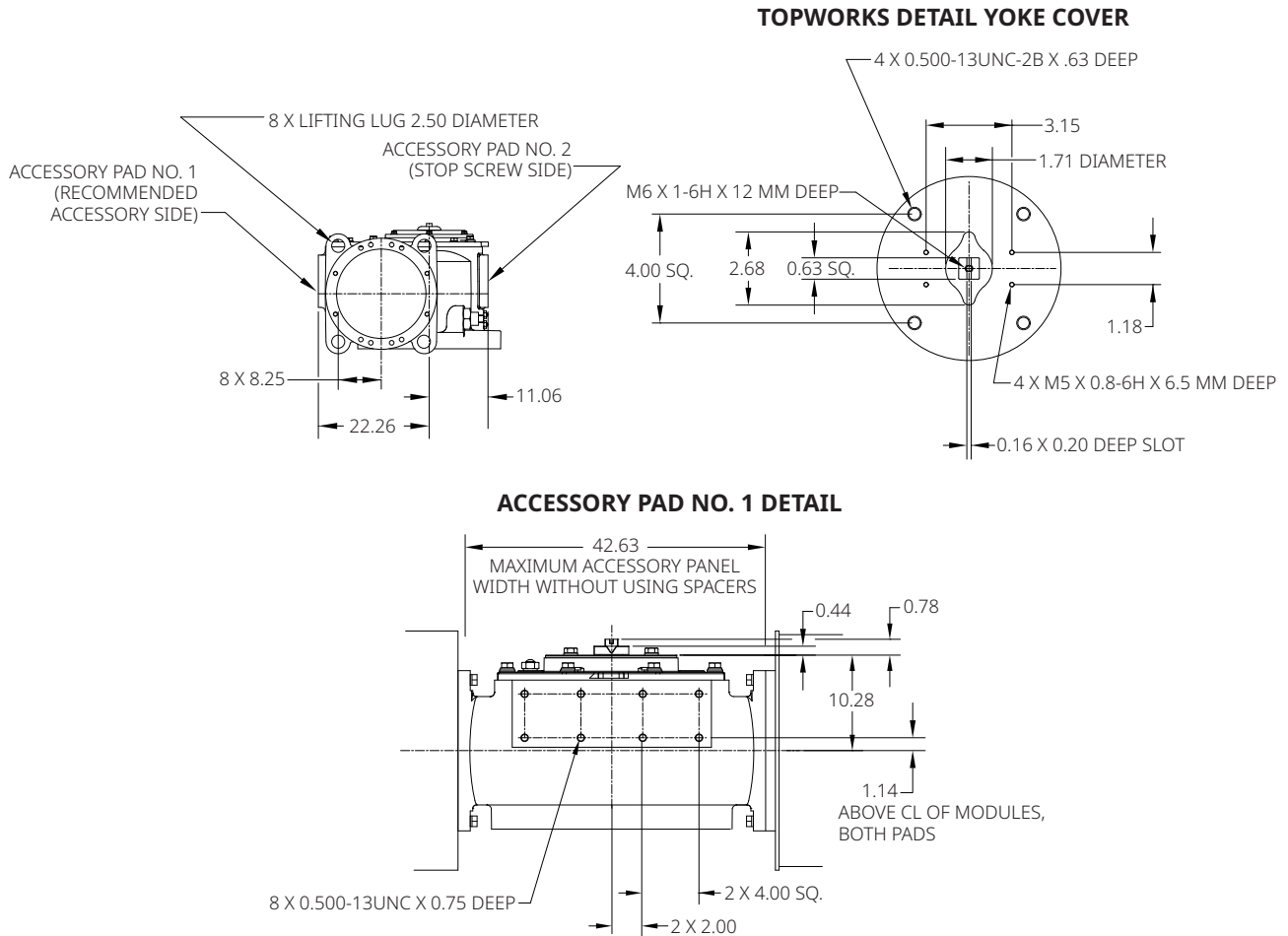


Data Sheet

VCPDS-17262-US Rev. 1
December 2024

FG/FGC-Series

Spring-Return Actuators Lug/Accessory Details



Notes:

Not certified dimensional drawings. Such drawings are available on request.
Contact factory with correct model designation and serial number.
All dimensions are expressed in inches.



Biffi Italia s.r.l.
Strada Biffi 165
29017 Fiorenzuola d'Arda (PC)
Italy
T +39 0523 944 411

For complete list of sales and manufacturing sites, please visit
www.biffi.it or contact us at biffi_italia@biffi.it

VCPDS-17262-US (CP-13967-US) © 2022, 2024 Biffi. All rights reserved.

The contents of this publication are presented for informational purposes only, and while every effort has been made to ensure their accuracy, they are not to be construed as warranties or guarantees, express or implied, regarding the products or services described herein or their use or applicability. All sales are governed by our terms and conditions, which are available upon request. We reserve the right to modify or improve the designs or specifications of such products at any time without notice.

