

Data Sheet

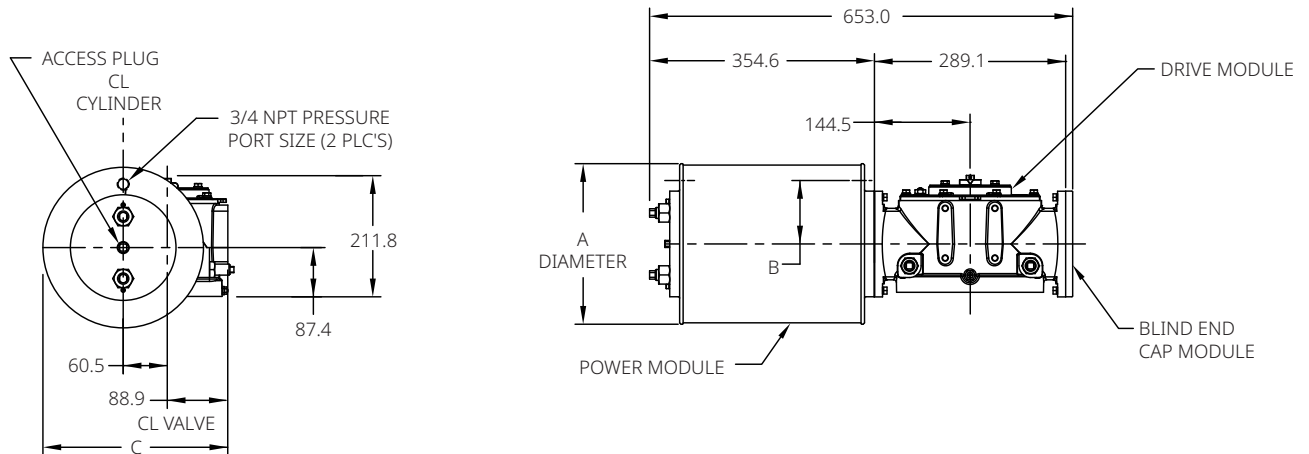
VCPDS-17262-EN Rev. 1

December 2024

FG/FGC-Series

Dimensions – (Pneumatic) mm. FG/FGC-Series

Double-Acting Actuators FG011XX/FGC011XX (CW Model Shown)



Notes:

Not Certified dimensional drawings. Such drawings are available on request.
Contact factory with correct model designation and serial number.
All dimensions are expressed in millimeters.

Table 1.

Actuator Model	A	B	C
FG01108/FGC01108	222.3	81.0	260.4
FG01109/FGC01109	251.0	96.0	274.8
FG01110/FGC01110	279.4	111.3	289.1
FG01112/FGC01112	330.2	127.0	314.5
FG01114/FGC01114	362.0	139.7	330.2



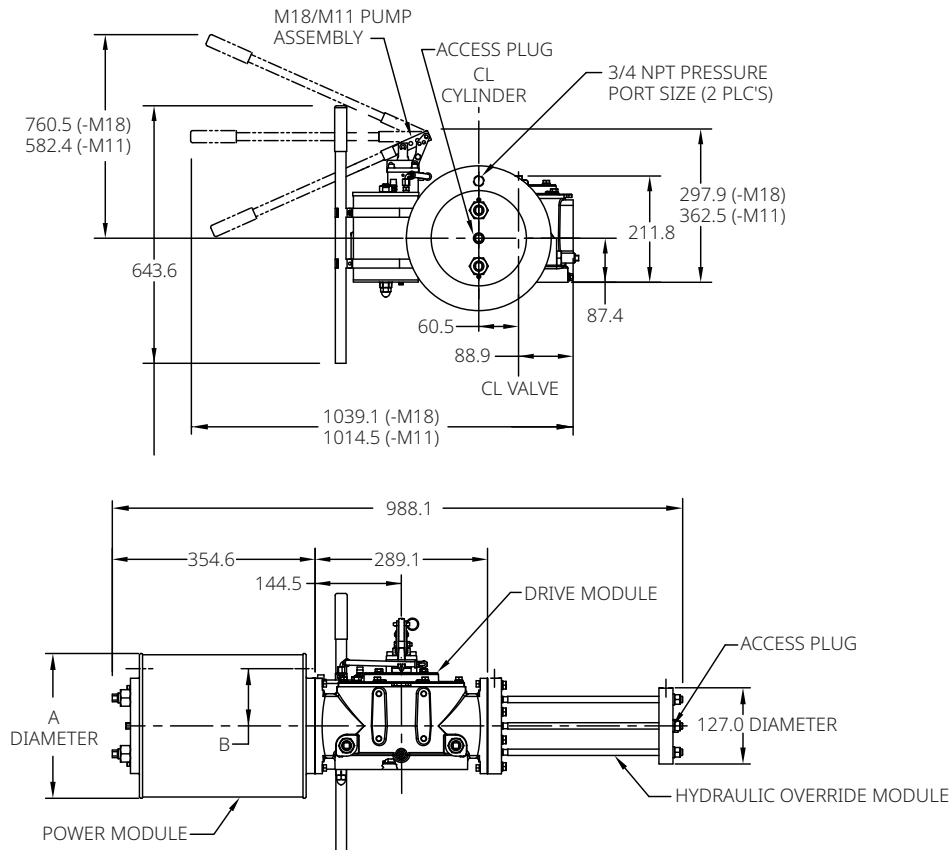
Data Sheet

VCPDS-17262-EN Rev. 1

December 2024

FG/FGC-Series

FG011XX-M18/FGC011XX-M18 FG011XX-M11/FGC011XX-M11 (CW Model Shown)



Notes:

Not Certified dimensional drawings. Such drawings are available on request.
Contact factory with correct model designation and serial number.
All dimensions are expressed in millimeters.

Table 2.

Actuator Model	A	B
FG01108-M18/FGC01108-M18	222.3	81.0
FG01109-M18/FGC01109-M18	251.0	96.0
FG01110-M18/FGC01110-M18	279.4	111.3
FG01112-M18/FGC01112-M18	330.2	127.0
FG01114-M18/FGC01114-M18	362.0	139.7

Note:

Dimensions A and B remain the same in case -M11 in actuator model.



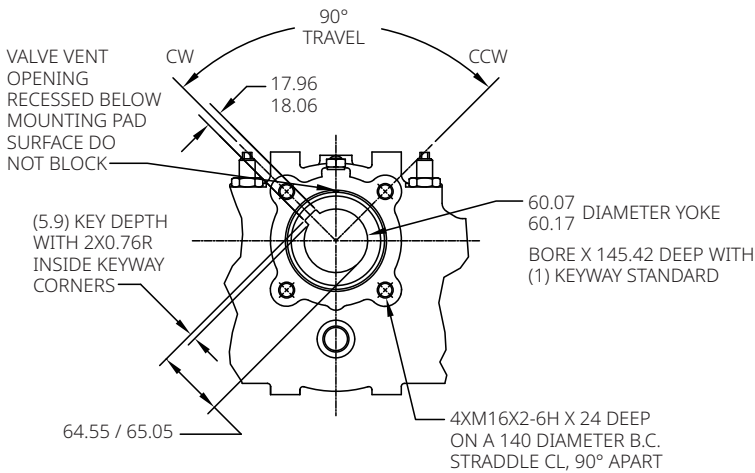
Data Sheet

VCPDS-17262-EN Rev. 1

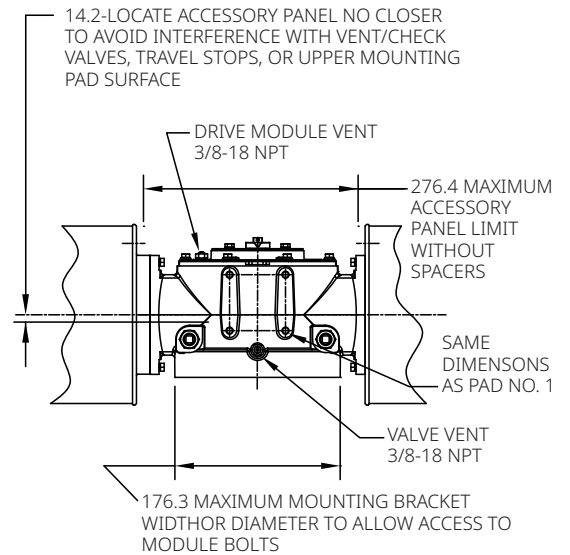
December 2024

FG/FGC-Series

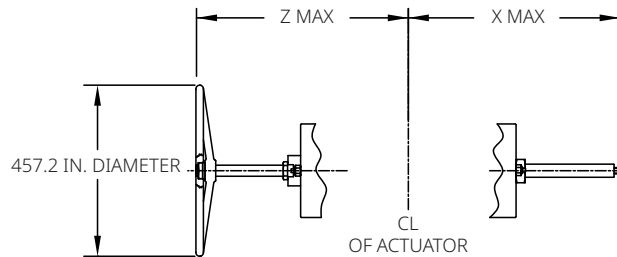
Double-Acting Actuators Mounting Pad Detail



ACCESSORY PAD NO. 2 DETAIL



ADJUSTABLE END STOPS AND JACKSCREWS



Notes:

Not Certified dimensional drawings. Such drawings are available on request.
Contact factory with correct model designation and serial number.
All dimensions are expressed in millimeters.

Table 3.

	Power Module	Blind End Cap Module	Spring Module
X (-ETS) Extended Travel Stop	693.9	402.1	1210.3
X (-33) End Stop	518.4	226.6	1023.9
Z (M3/M3HW) Jackscrew	750.3	442.7	1184.4



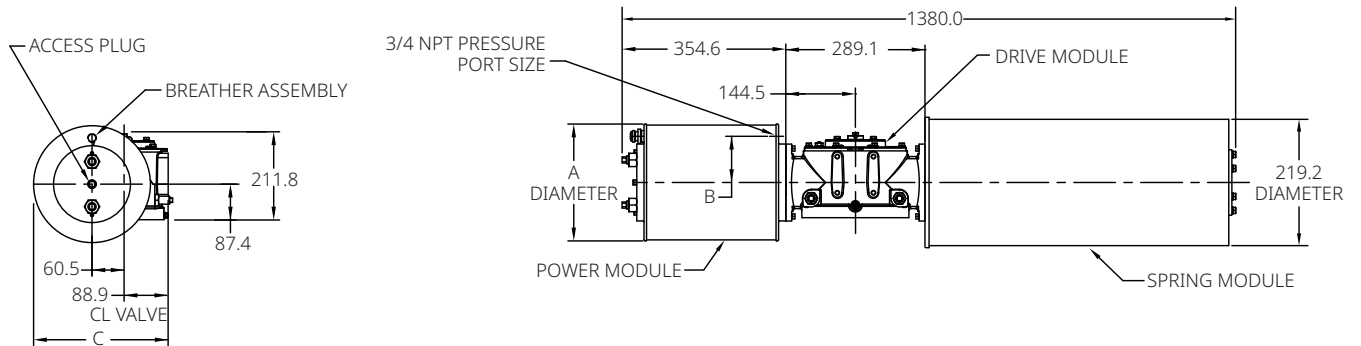
Data Sheet

VCPDS-17262-EN Rev. 1

December 2024

FG/FGC-Series

Spring-Return Actuators FG011XX-SR/FGC011XX-SR (CW Model Shown)



Notes:

Not Certified dimensional drawings. Such drawings are available on request.

Contact factory with correct model designation and serial number.

All dimensions are expressed in millimeters.

Table 4.

Actuator Model	A	B	C
FG01108-SR/FGC01108-SR	222.3	81.0	260.4
FG01109-SR/FGC01109-SR	251.0	96.0	274.8
FG01110-SR/FGC01110-SR	279.4	111.3	289.1
FG01112-SR/FGC01112-SR	330.2	127.0	314.5
FG01114-SR/FGC01114-SR	362.0	139.7	330.2



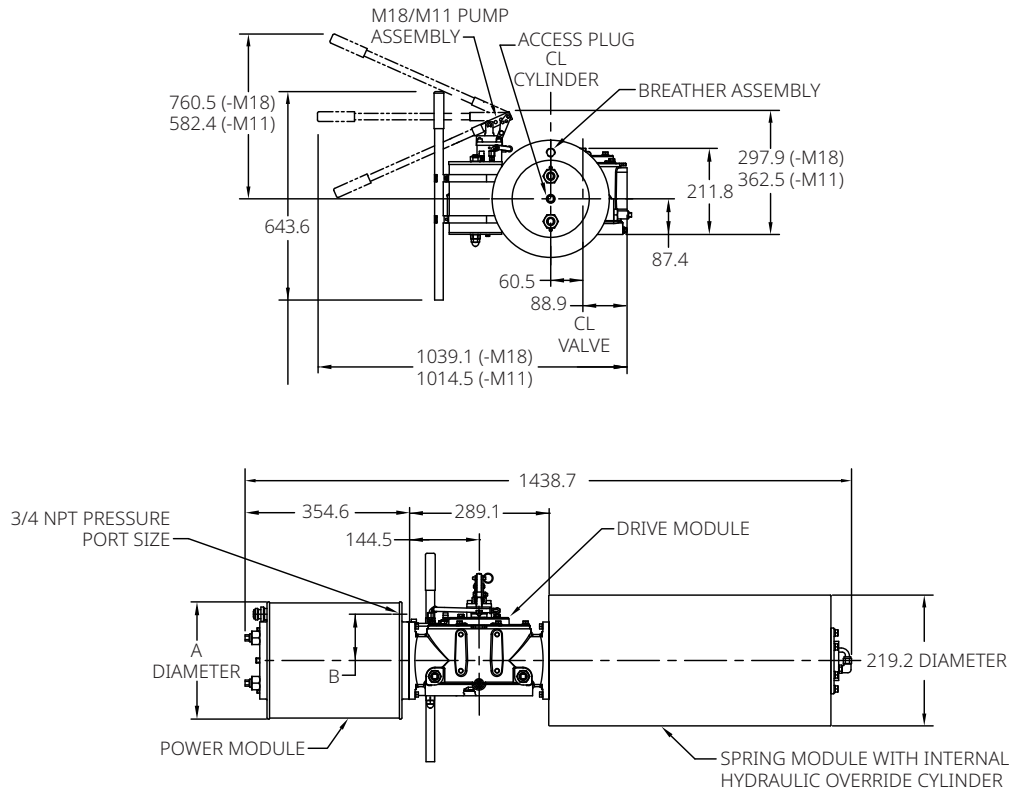
Data Sheet

VCPDS-17262-EN Rev. 1

December 2024

FG/FGC-Series

FG011XX-SR-M18/FGC011XX-SR-M18 FG011XX-SR-M11/FGC011XX-SR-M11 (CW Model Shown)



Notes:

Not Certified dimensional drawings. Such drawings are available on request.
Contact factory with correct model designation and serial number.
All dimensions are expressed in millimeters.

Table 5.

Actuator Model	A	B
FG01108-SR-M18/FGC01108-SR-M18	222.3	81.0
FG01109-SR-M18/FGC01109-SR-M18	251.0	96.0
FG01110-SR-M18/FGC01110-SR-M18	279.4	111.3
FG01112-SR-M18/FGC01112-SR-M18	330.2	127.0
FG01114-SR-M18/FGC01114-SR-M18	362.0	139.7

Note:

Dimensions A and B remain the same in case -M11 in actuator model.



Data Sheet

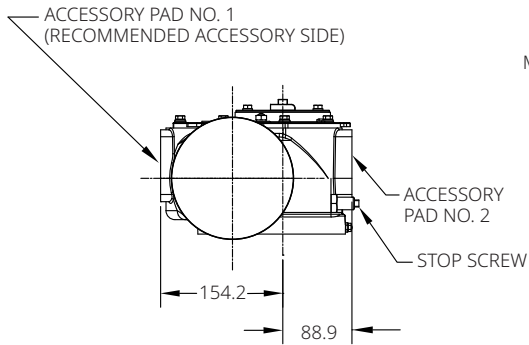
VCPDS-17262-EN Rev. 1

December 2024

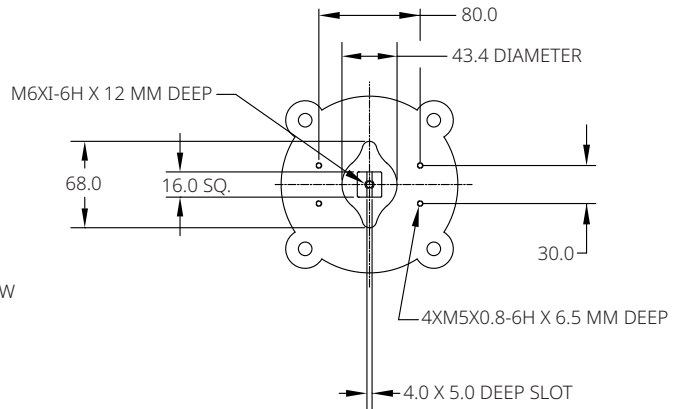
FG/FGC-Series

Spring-Return Actuators Accessory Details

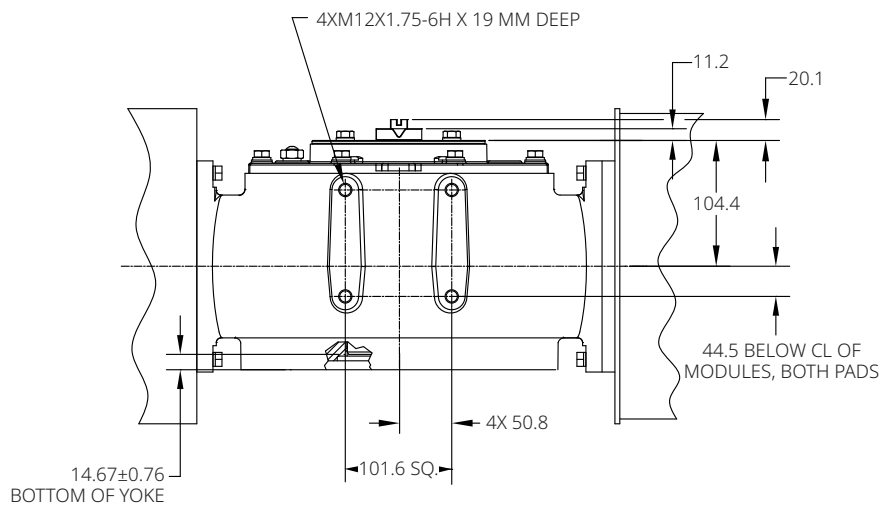
ACCESSORY PAD LOCATION



TOPWORKS DETAIL YOKE COVER



ACCESSORY PAD NO. 1 DETAIL



Notes:

Not Certified dimensional drawings. Such drawings are available on request.

Contact factory with correct model designation and serial number.

All dimensions are expressed in millimeters.



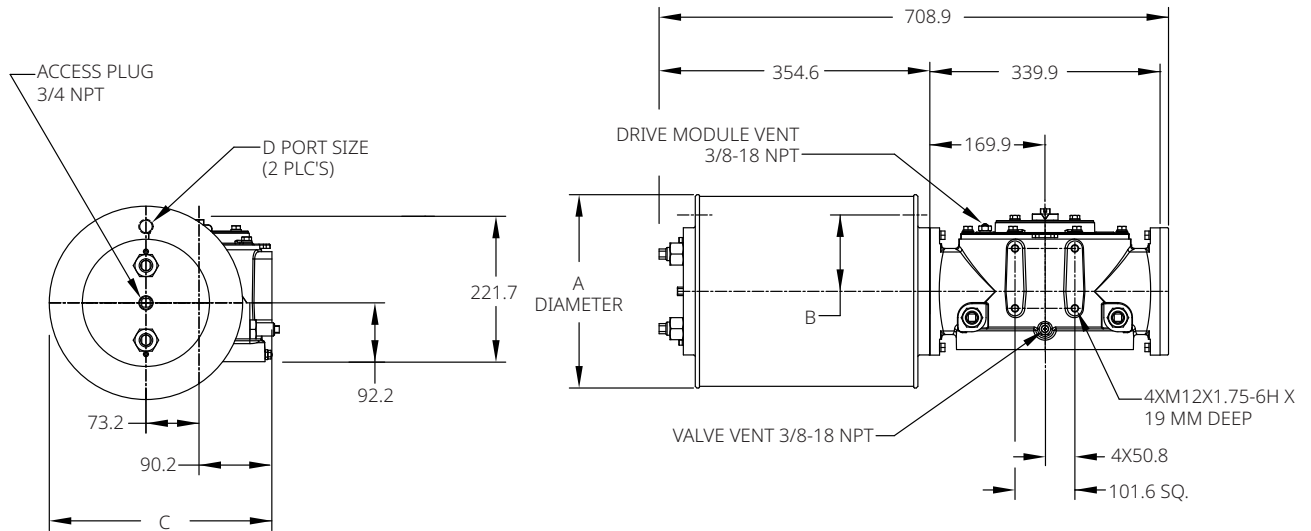
Data Sheet

VCPDS-17262-EN Rev. 1

December 2024

FG/FGC-Series

Double-Acting Actuators FG21XX/FGC21XX (CW Model Shown)



Notes:

Not Certified dimensional drawings. Such drawings are available on request.

Contact factory with correct model designation and serial number.

All dimensions are expressed in millimeters.

Table 6.

Actuator Model	A	B	C	D
FG2109/FGC2109	251.0	85.9	289.1	3/4 NPT
FG2110/FGC2110	279.4	111.3	303.0	3/4 NPT
FG2112/FGC2112	330.2	127.0	328.4	3/4 NPT
FG2114/FGC2114	362.0	139.7	344.4	3/4 NPT
FG2116/FGC2116	412.8	158.8	369.8	3/4 NPT

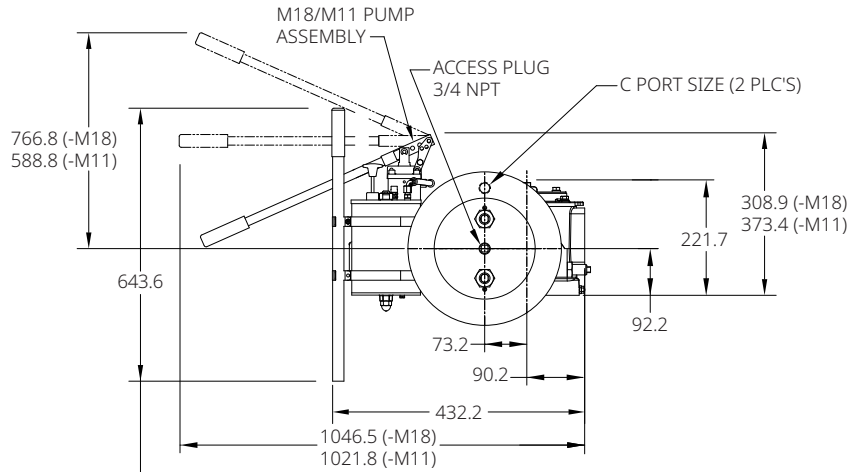


Data Sheet

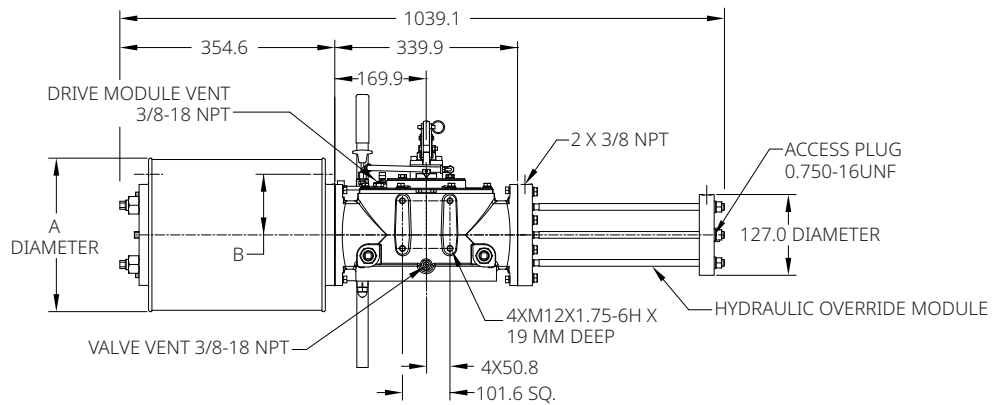
VCPDS-17262-EN Rev. 1
December 2024

FG/FGC-Series

FG21XX-M18/FGC21XX-M18 FG21XX-M11/FGC21XX-M11 (CW Model Shown)



NOTE: PUMP HANDLE SHOWN STORED,
MAY BE MOVED UP OR DOWN



Notes:

Not Certified dimensional drawings. Such drawings are available on request.
Contact factory with correct model designation and serial number.
All dimensions are expressed in millimeters.

Table 7.

Actuator Model	A	B	C
FG2109-M18/FGC2109-M18	251.0	85.9	3/4 NPT
FG2110-M18/FGC2110-M18	254.0	111.3	3/4 NPT
FG2112-M18/FGC2112-M18	330.2	127.0	3/4 NPT
FG2114-M18/FGC2114-M18	362.0	139.7	3/4 NPT
FG2116-M18/FGC2116-M18	412.8	158.8	3/4 NPT

Note:

Dimensions A, B and C remain the same in case -M11 in actuator model.



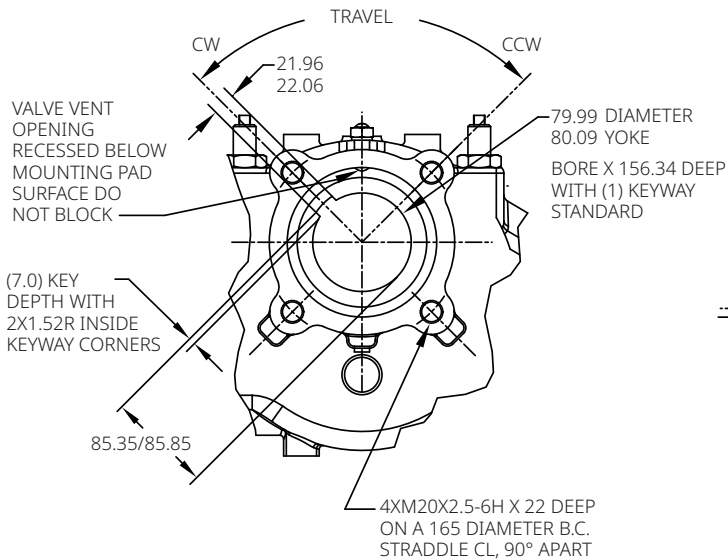
Data Sheet

VCPDS-17262-EN Rev. 1

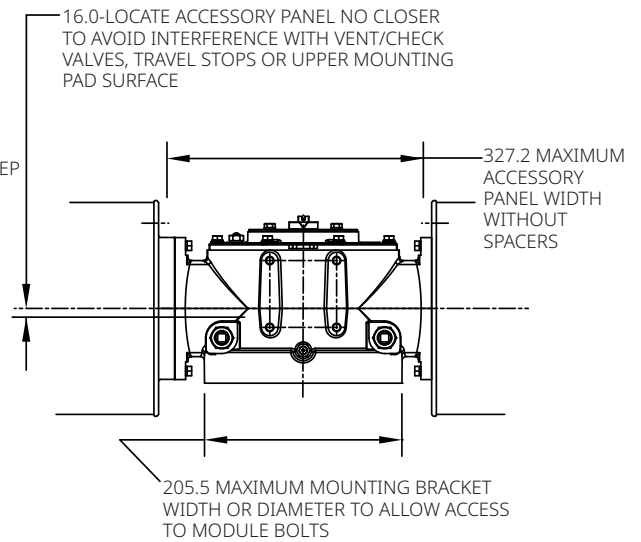
December 2024

FG/FGC-Series

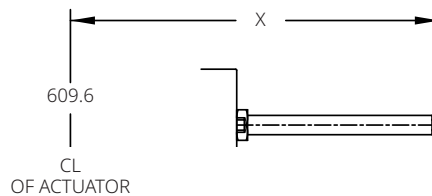
Double-Acting Actuators Valve/Accessory Mounting Details



ACCESSORY PAD NO. 2 DETAIL



ADJUSTABLE END STOPS



Notes:

Not Certified dimensional drawings. Such drawings are available on request. Contact factory with correct model designation and serial number. All dimensions are expressed in millimeters.

Table 8.

	X (-ETS) Extended Travel Stop	X End Stop	Z (M3/M3HW) Jackscrew
Power Module	719.3	543.8	890.8
Blind End Cap Module	427.5	252.0	572.8
Spring Module	1224.8	1049.3	1278.9



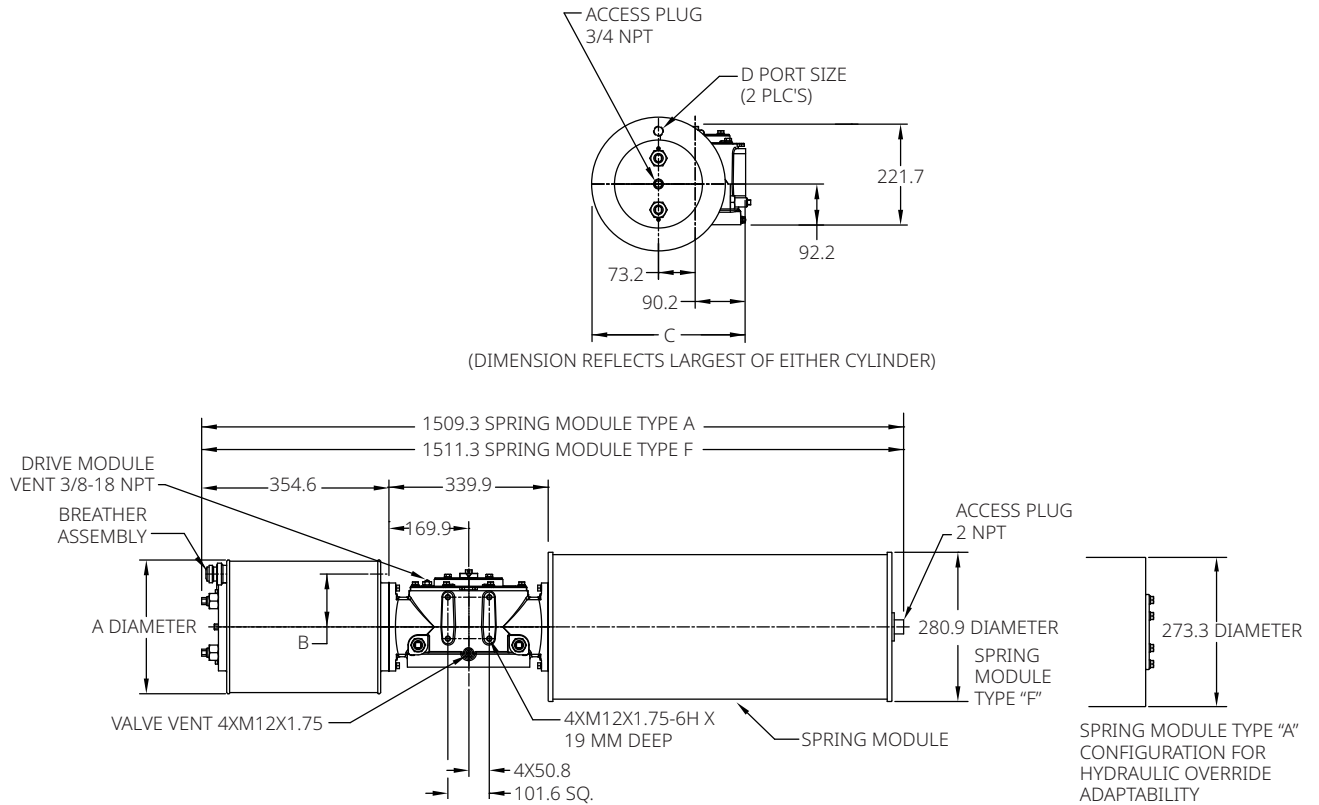
Data Sheet

VCPDS-17262-EN Rev. 1

December 2024

FG/FGC-Series

Spring-Return Actuators FG21XX-SR/FGC21XX-SR (CW Model Shown)



Notes:

Not Certified dimensional drawings. Such drawings are available on request.

Contact factory with correct model designation and serial number.

All dimensions are expressed in millimeters.

Table 9.

Actuator Model	A	B	C	D
FG2109-SR/FGC2109-SR	251.0	85.9	304.0	3/4 NPT
FG2110-SR/FGC2110-SR	279.4	111.3	304.0	3/4 NPT
FG2112-SR/FGC2112-SR	330.2	127.0	328.4	3/4 NPT
FG2114-SR/FGC2114-SR	362.0	139.7	344.4	3/4 NPT
FG2116-SR/FGC2116-SR	412.8	158.8	369.8	3/4 NPT

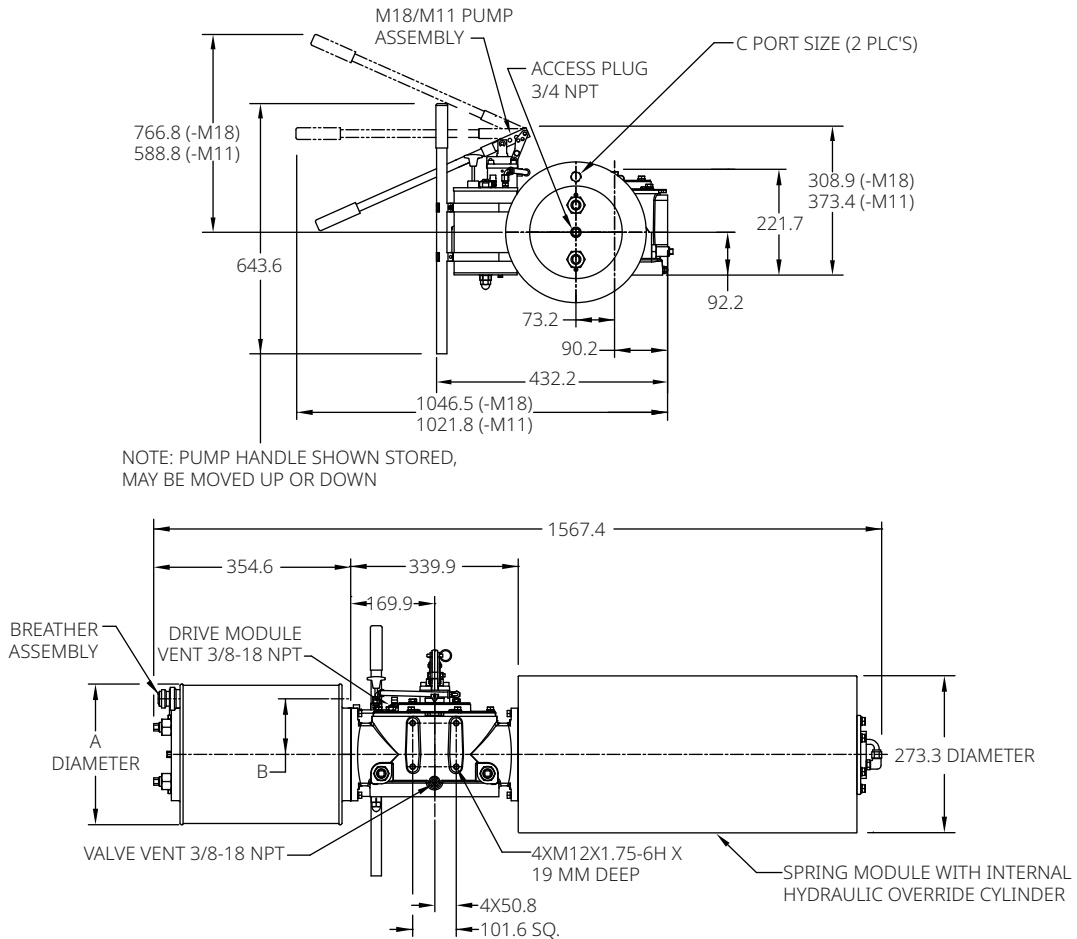


Data Sheet

VCPDS-17262-EN Rev. 1
December 2024

FG/FGC-Series

FG21XX-SR-M18/FGC21XX-SR-M18 FG21XX-SR-M11/FGC21XX-SR-M11 (CW Model Shown)



Notes:
Not Certified dimensional drawings. Such drawings are available on request.
Contact factory with correct model designation and serial number.
All dimensions are expressed in millimeters.

Table 10.

Actuator Model	A	B	C
FG2109-SR-M18/FGC2109-SR-M18	251.0	85.9	3/4 NPT
FG2110-SR-M18/FGC2110-SR-M18	254.0	111.3	3/4 NPT
FG2112-SR-M18/FGC2112-SR-M18	330.2	127.0	3/4 NPT
FG2114-SR-M18/FGC2114-SR-M18	362.0	139.7	3/4 NPT
FG2116-SR-M18/FGC2116-SR-M18	412.8	158.8	3/4 NPT

Note:
Dimensions A, B and C remain the same in case -M11 in actuator model.



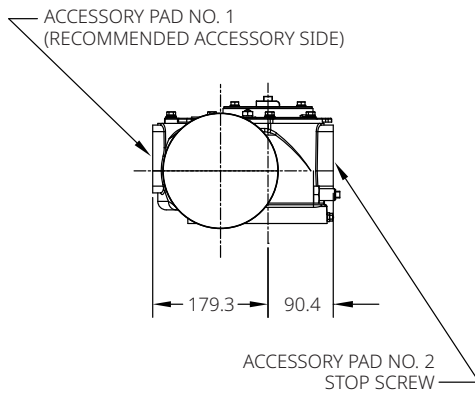
Data Sheet

VCPDS-17262-EN Rev. 1

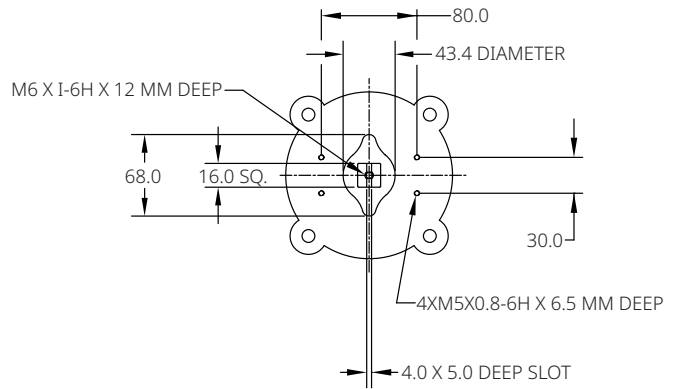
December 2024

FG/FGC-Series

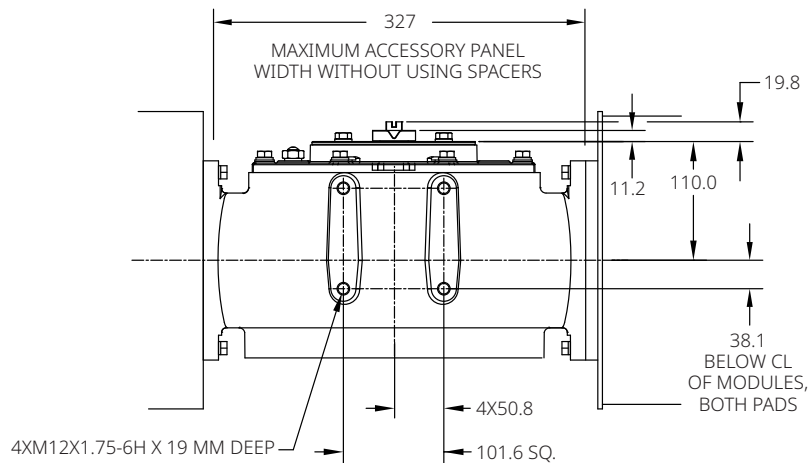
Spring-Return Actuators Accessory Details



TOPWORKS DETAIL YOKE COVER



ACCESSORY PAD NO. 1 DETAIL



Notes:

Not Certified dimensional drawings. Such drawings are available on request.

Contact factory with correct model designation and serial number.

All dimensions are expressed in millimeters.



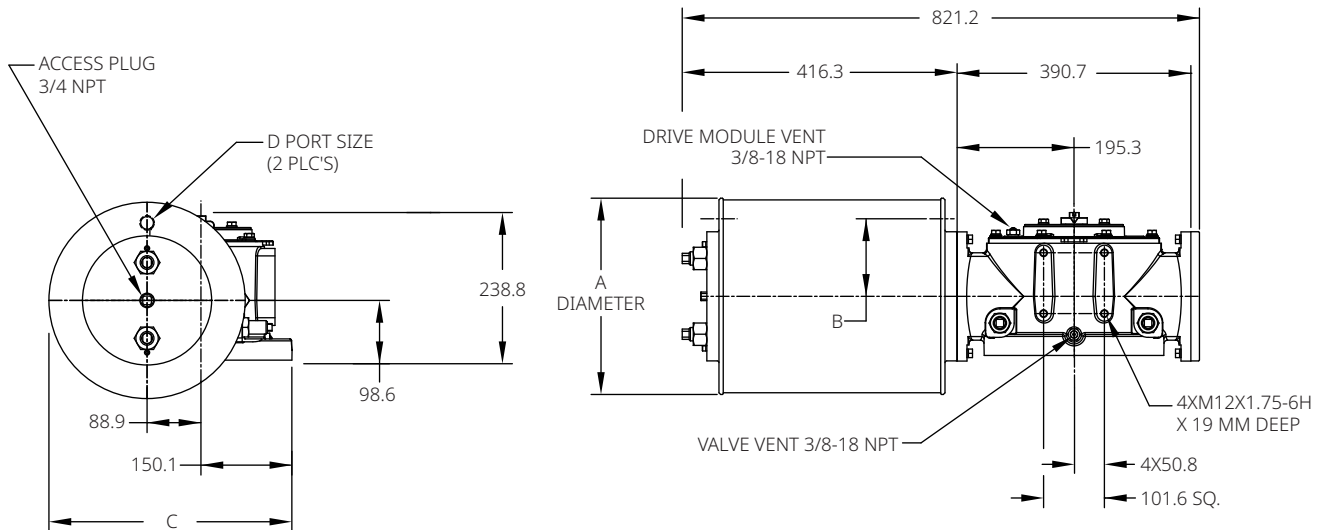
Data Sheet

VCPDS-17262-EN Rev. 1

December 2024

FG/FGC-Series

Double-Acting Actuators FG31XX/FGC31XX (CW Model Shown)



Notes:

Not Certified dimensional drawings. Such drawings are available on request.

Contact factory with correct model designation and serial number.

All dimensions are expressed in millimeters.

Table 11.

Actuator Model	A	B	C	D
FG3110/FGC3110	279.4	111.3	378.7	3/4 NPT
FG3112/FGC3112	330.2	131.8	404.1	3/4 NPT
FG3114/FGC3114	362.0	144.3	419.9	3/4 NPT
FG3116/FGC3116	412.8	158.8	445.3	3/4 NPT
FG3120/FGC3120	514.4	203.2	496.1	3/4 NPT

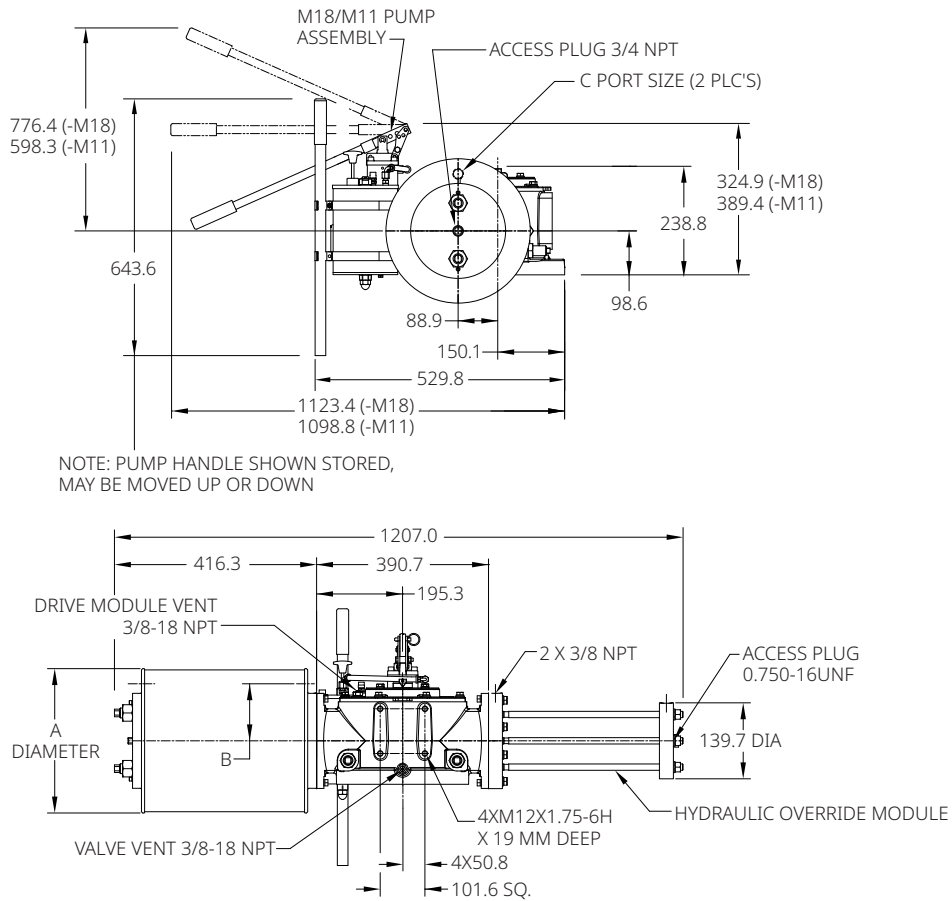


Data Sheet

VCPDS-17262-EN Rev. 1
December 2024

FG/FGC-Series

FG31XX-M18/FGC31XX-M18 FG31XX-M11/FGC31XX-M11 (CW Model Shown)



Notes:
Not Certified dimensional drawings. Such drawings are available on request.
Contact factory with correct model designation and serial number.
All dimensions are expressed in millimeters.

Table 12.

Actuator Model	A	B	C
FG3110-M18/FGC3110-M18	279.4	111.3	3/4 NPT
FG3112-M18/FGC3112-M18	330.2	131.8	3/4 NPT
FG3114-M18/FGC3114-M18	362.0	144.3	3/4 NPT
FG3116-M18/FGC3116-M18	412.8	158.8	3/4 NPT
FG3120-M18/FGC3120-M18	514.4	203.2	3/4 NPT

Note:
Dimensions A, B and C remain the same in case -M11 in actuator model.

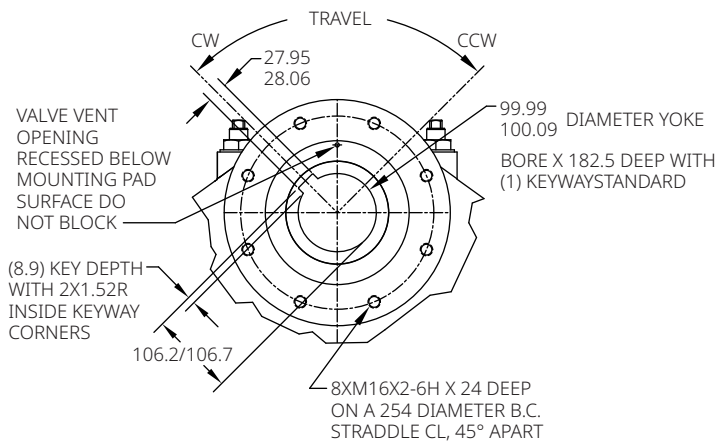


Data Sheet

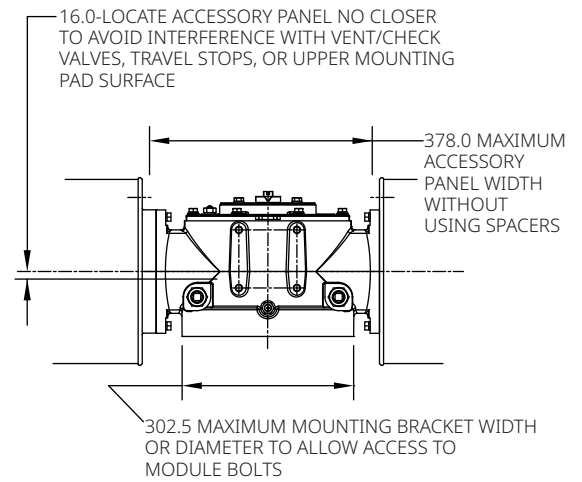
VCPDS-17262-EN Rev. 1
December 2024

FG/FGC-Series

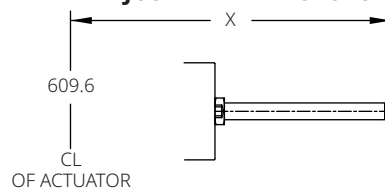
Double-Acting Actuators Valve/Accessory Mounting Details



ACCESSORY PAD NO. 2 DETAIL



ADJUSTABLE END STOPS



Notes:

Not Certified dimensional drawings. Such drawings are available on request. Contact factory with correct model designation and serial number. All dimensions are expressed in millimeters.

Table 13.

	X (-ETS) Extended Travel Stop	X End Stop	Z (M3/M3HW) Jackscrew
Power Module	840.5	623.1	938.3
Blind End Cap Module	497.1	281.9	580.6
Spring Module	1353.8	1136.4	1397.0

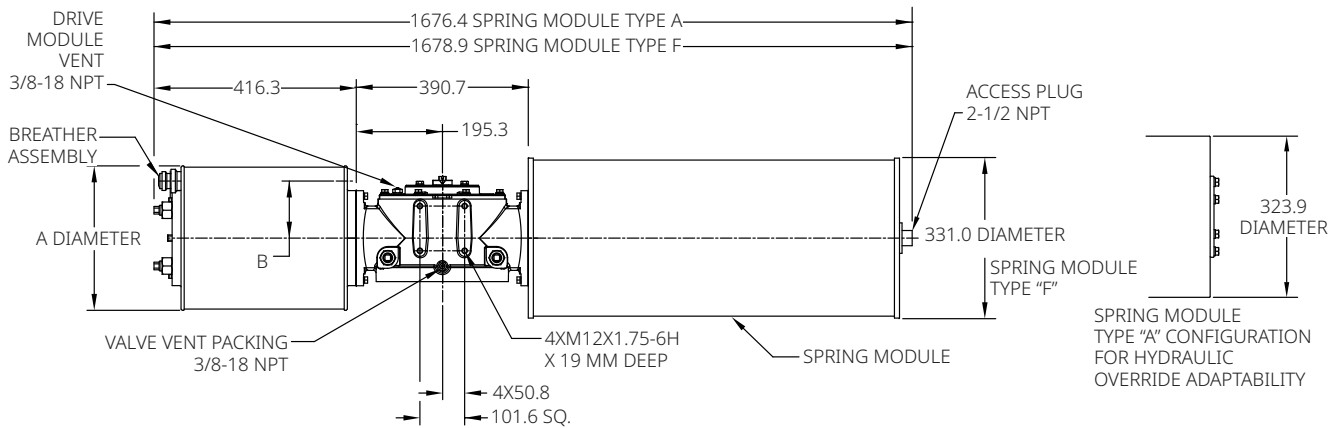
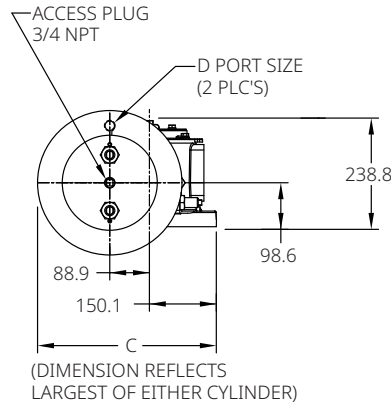


Data Sheet

VCPDS-17262-EN Rev. 1
December 2024

FG/FGC-Series

Spring-Return Actuators FG31XX-SR/FGC31XX-SR (CW Model Shown)



Notes:

Not Certified dimensional drawings. Such drawings are available on request.
Contact factory with correct model designation and serial number.
All dimensions are expressed in millimeters.

Table 14.

Actuator Model	A	B	C	D
FG3110-SR/FGC3110-SR	279.4	111.3	399.5	3/4 NPT
FG3112-SR/FGC3112-SR	330.2	131.8	404.1	3/4 NPT
FG3114-SR/FGC3114-SR	362.0	144.3	419.9	3/4 NPT
FG3116-SR/FGC3116-SR	412.8	158.8	445.3	3/4 NPT
FG3120-SR/FGC3120-SR	514.4	203.2	496.1	3/4 NPT

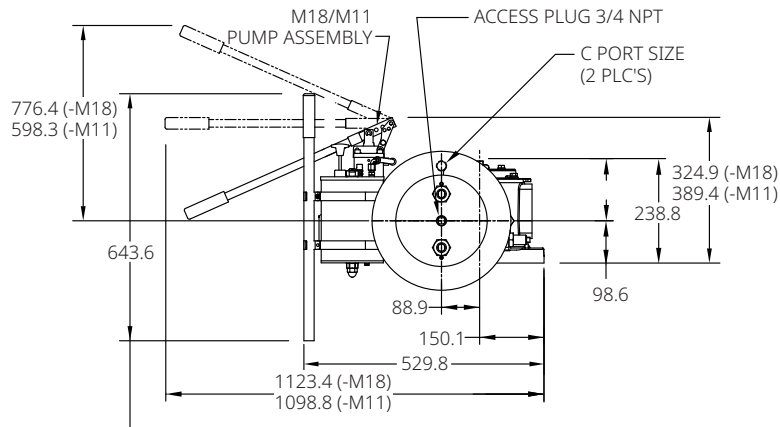


Data Sheet

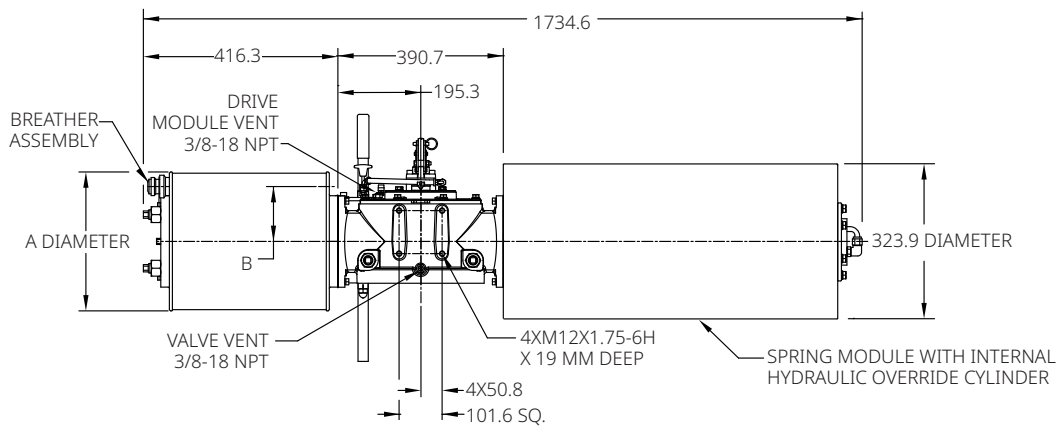
VCPDS-17262-EN Rev. 1
December 2024

FG/FGC-Series

FG31XX-SR-M18/FGC31XX-SR-M18 FG31XX-SR-M11/FGC31XX-SR-M11 (CW Model Shown)



NOTE: PUMP HANDLE SHOWN STORED, MAY BE MOVED UP OR DOWN



Notes:

Not Certified dimensional drawings. Such drawings are available on request. Contact factory with correct model designation and serial number. All dimensions are expressed in millimeters.

Table 15.

Actuator Model	A	B	C
FG3110-SR-M18/FGC3110-SR-M18	279.4	111.3	3/4 NPT
FG3112-SR-M18/FGC3112-SR-M18	330.2	131.8	3/4 NPT
FG3114-SR-M18/FGC3114-SR-M18	362.0	144.3	3/4 NPT
FG3116-SR-M18/FGC3116-SR-M18	412.8	158.8	3/4 NPT
FG3120-SR-M18/FGC3120-SR-M18	514.4	203.2	3/4 NPT

Note:

Dimensions A, B and C remain the same in case -M11 in actuator model.



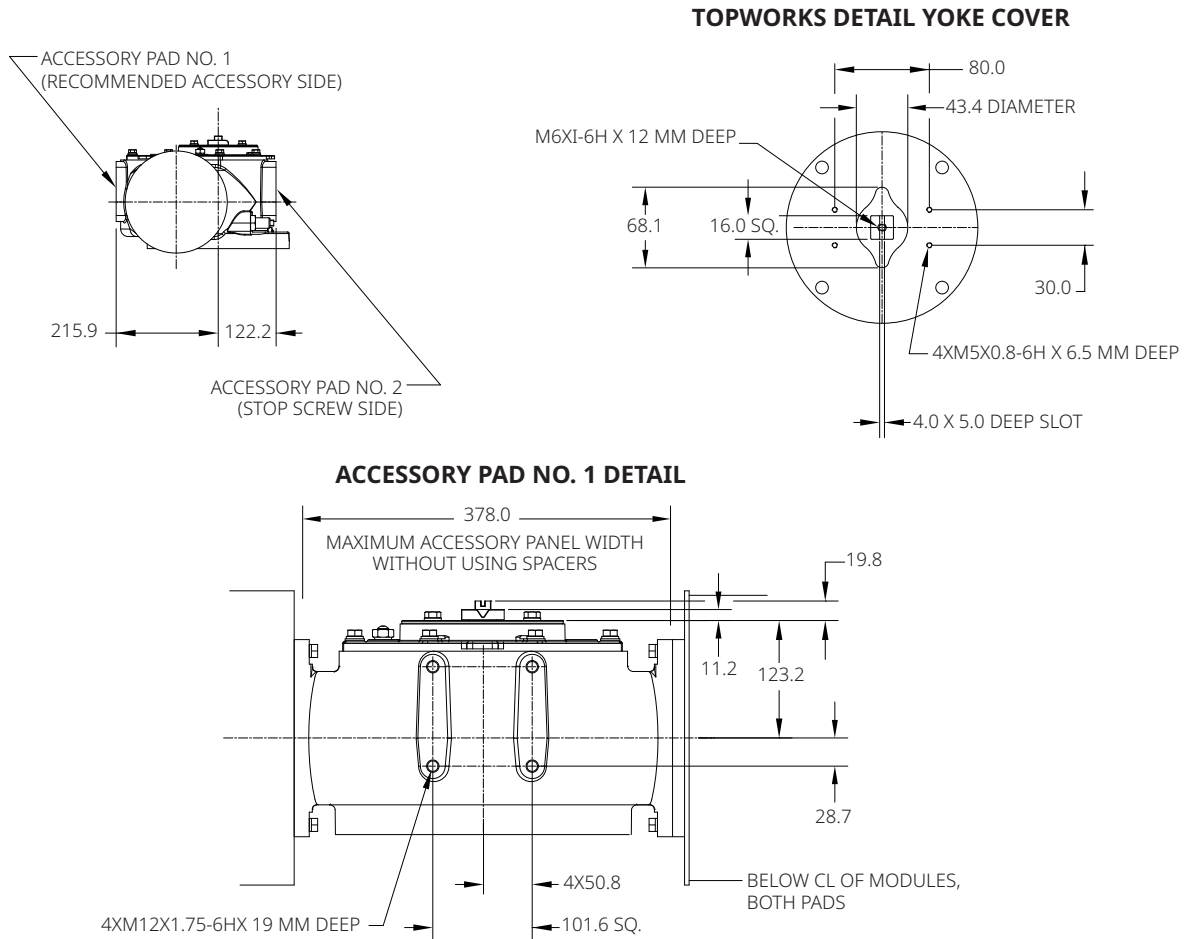
Data Sheet

VCPDS-17262-EN Rev. 1

December 2024

FG/FGC-Series

Spring-Return Actuators Accessory Details



Notes:

Not Certified dimensional drawings. Such drawings are available on request.

Contact factory with correct model designation and serial number.

All dimensions are expressed in millimeters.



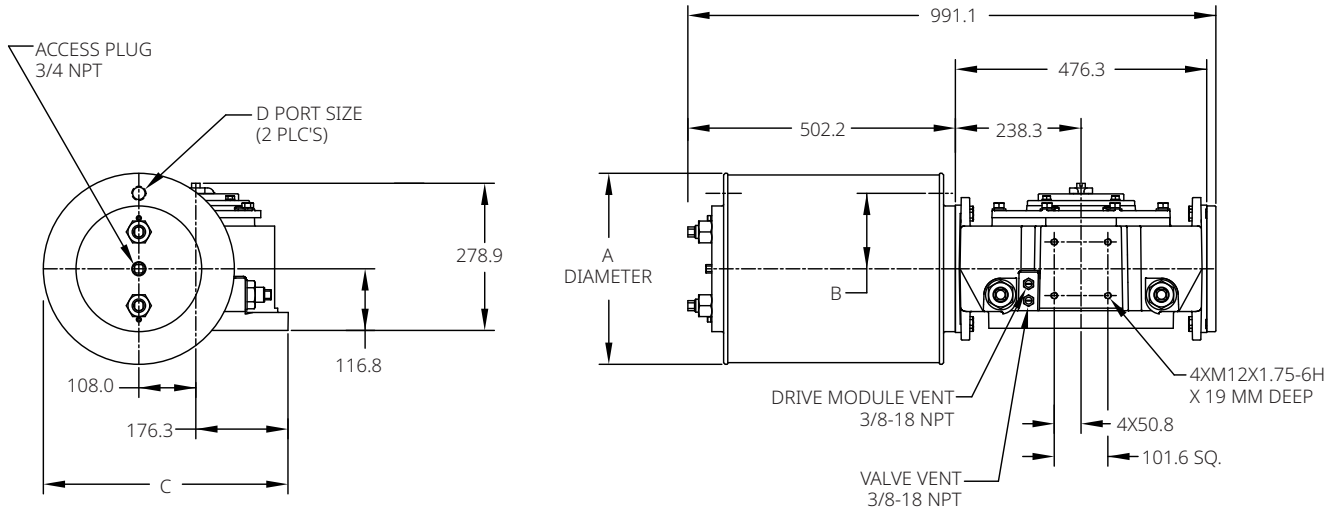
Data Sheet

VCPDS-17262-EN Rev. 1

December 2024

FG/FGC-Series

Double-Acting Actuators FG41XX/FGC41XX (CW Model Shown)



Notes:

Not Certified dimensional drawings. Such drawings are available on request.
Contact factory with correct model designation and serial number.
All dimensions are expressed in millimeters.

Table 16.

Actuator Model	A	B	C	D
FG4112/FGC4112	330.2	138.2	449.3	3/4 NPT
FG4114/FGC4114	362.0	143.0	465.3	3/4 NPT
FG4116/FGC4116	412.8	158.8	490.7	3/4 NPT
FG4120/FGC4120	514.4	206.5	541.5	3/4 NPT
FG4124/FGC4124	616.0	244.6	592.3	3/4 NPT
FG4128/FGC4128	736.6	292.1	652.5	1.0 NPT

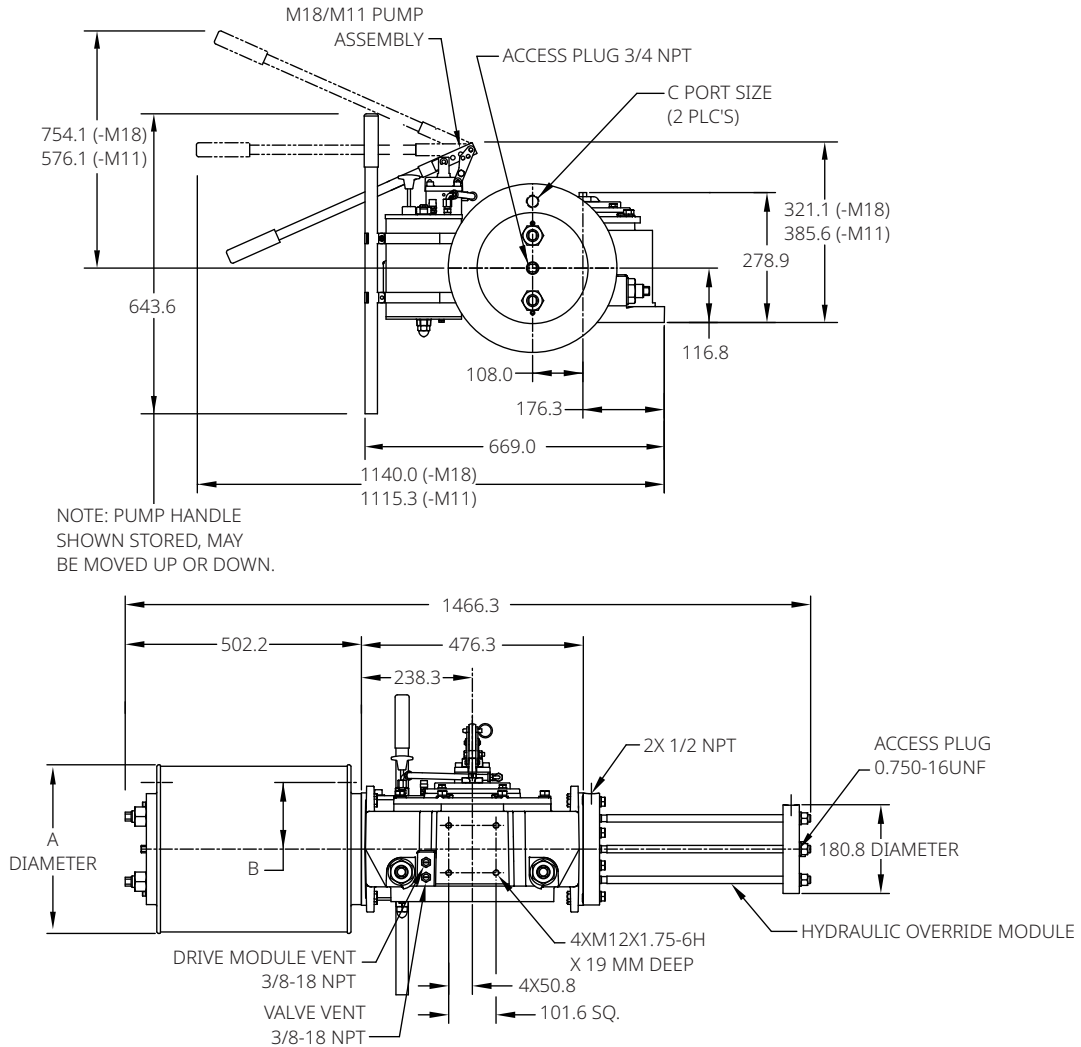


Data Sheet

VCPDS-17262-EN Rev. 1
December 2024

FG/FGC-Series

Double-Acting Actuators FG41XX/FGC41XX (CW Model Shown)



Notes:
Not Certified dimensional drawings. Such drawings are available on request.
Contact factory with correct model designation and serial number.
All dimensions are expressed in millimeters.

Table 17.

Actuator Model	A	B	C
FG4112-M18/FGC4112-M18	330.2	138.2	3/4 NPT
FG4114-M18/FGC4114-M18	362.0	143.0	3/4 NPT
FG4116-M18/FGC4116-M18	412.8	158.8	3/4 NPT
FG4120-M18/FGC4120-M18	514.4	206.5	3/4 NPT
FG4124-M18/FGC4124-M18	616.0	244.6	3/4 NPT
FG4128-M18/FGC4128-M18	736.6	292.1	1.0 NPT

Note:
Dimensions A, B and C remain the same in case -M11 in actuator model.



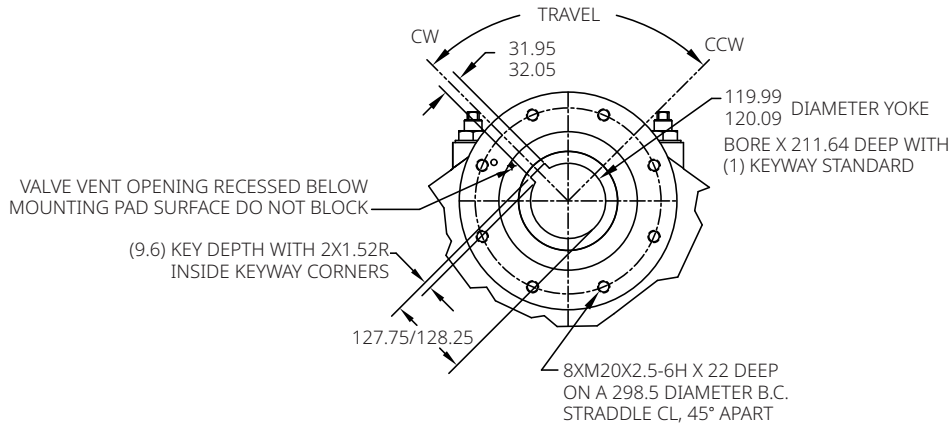
Data Sheet

VCPDS-17262-EN Rev. 1

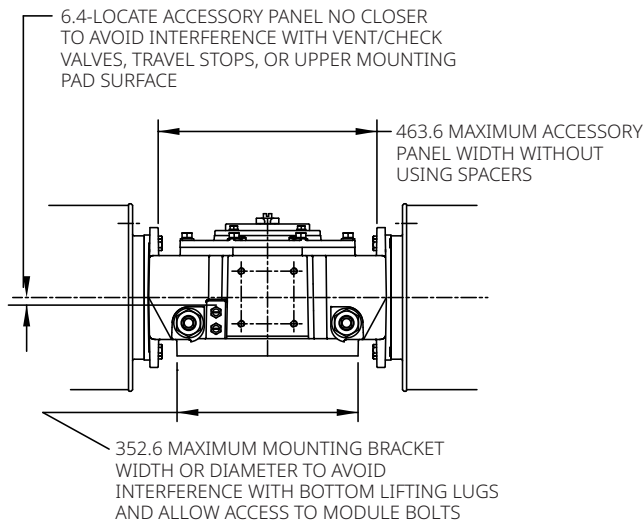
December 2024

FG/FGC-Series

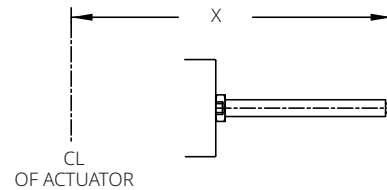
Double-Acting Actuators Valve/Accessory Mounting Details



ACCESSORY PAD NO. 2 DETAIL



ADJUSTABLE END STOPS



Notes:

Not Certified dimensional drawings. Such drawings are available on request.
Contact factory with correct model designation and serial number.
All dimensions are expressed in millimeters.

Table 18.

	X Extended Travel Stop	X End Stop
Power Module	1009.4	790.4
Blind End Cap Module	592.3	373.4
Spring Module	1539.5	1263.7



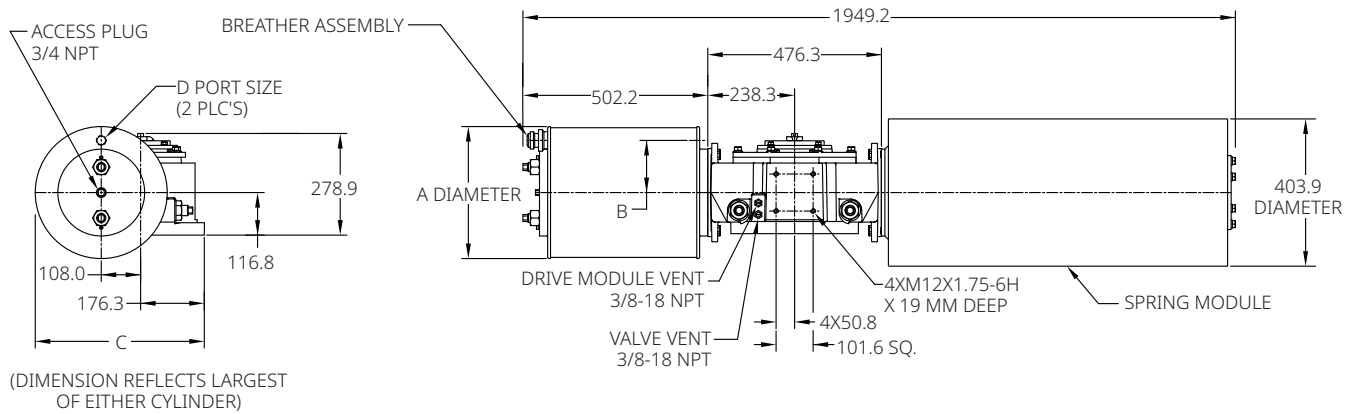
Data Sheet

VCPDS-17262-EN Rev. 1

December 2024

FG/FGC-Series

Spring-Return Actuators FG41XX-SR/FGC41XX-SR (CW Model Shown)



Notes:

Not Certified dimensional drawings. Such drawings are available on request.
Contact factory with correct model designation and serial number.
All dimensions are expressed in millimeters.

Table 19.

Actuator Model	A	B	C	D
FG4112-SR/FGC4112-SR	330.2	138.2	486.2	3/4 NPT
FG4114-SR/FGC4114-SR	362.0	143.0	486.2	3/4 NPT
FG4116-SR/FGC4116-SR	412.8	158.8	490.7	3/4 NPT
FG4120-SR/FGC4120-SR	514.4	206.5	541.5	3/4 NPT
FG4124-SR/FGC4124-SR	616.0	244.6	592.3	3/4 NPT
FG4128-SR/FGC4128-SR	736.6	292.1	652.5	1.0 NPT

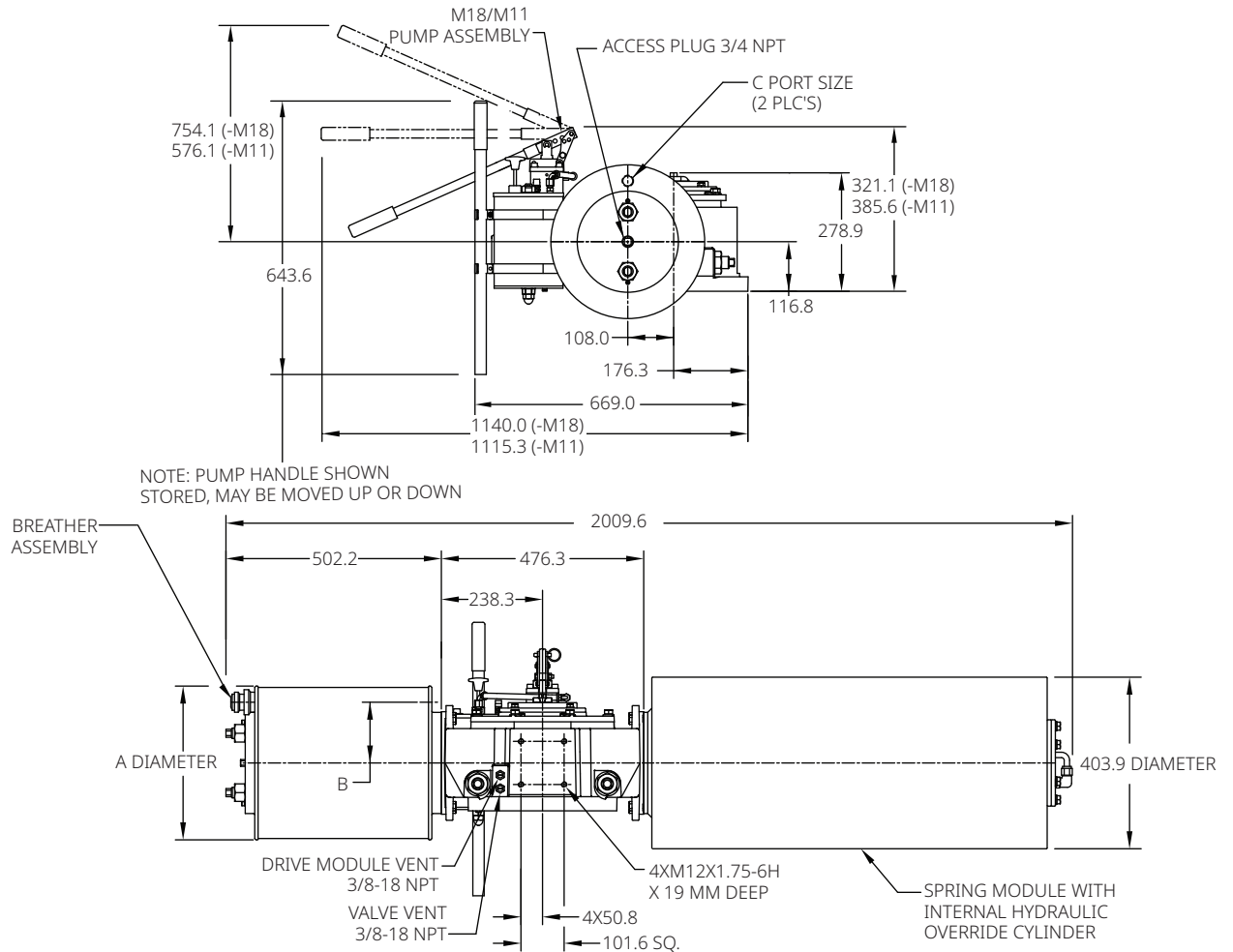


Data Sheet

VCPDS-17262-EN Rev. 1
December 2024

FG/FGC-Series

FG41XX-SR-M18/FGC41XX-SR-M18 FG41XX-SR-M11/FGC41XX-SR-M11 (CW Model Shown)



Notes:
 Not Certified dimensional drawings. Such drawings are available on request.
 Contact factory with correct model designation and serial number.
 All dimensions are expressed in millimeters.

Table 20.

Actuator Model	A	B	C
FG4112-SR-M18/FGC4112-SR-M18	330.2	138.2	3/4 NPT
FG4114-SR-M18/FGC4114-SR-M18	362.0	143.0	3/4 NPT
FG4116-SR-M18/FGC4116-SR-M18	412.8	158.8	3/4 NPT
FG4120-SR-M18/FGC4120-SR-M18	514.4	206.5	3/4 NPT
FG4124-SR-M18/FGC4124-SR-M18	616.0	244.6	3/4 NPT
FG4128-SR-M18/FGC4128-SR-M18	736.6	292.1	1.0 NPT

Note:
 Dimensions A, B and C remain the same in case -M11 in actuator model.



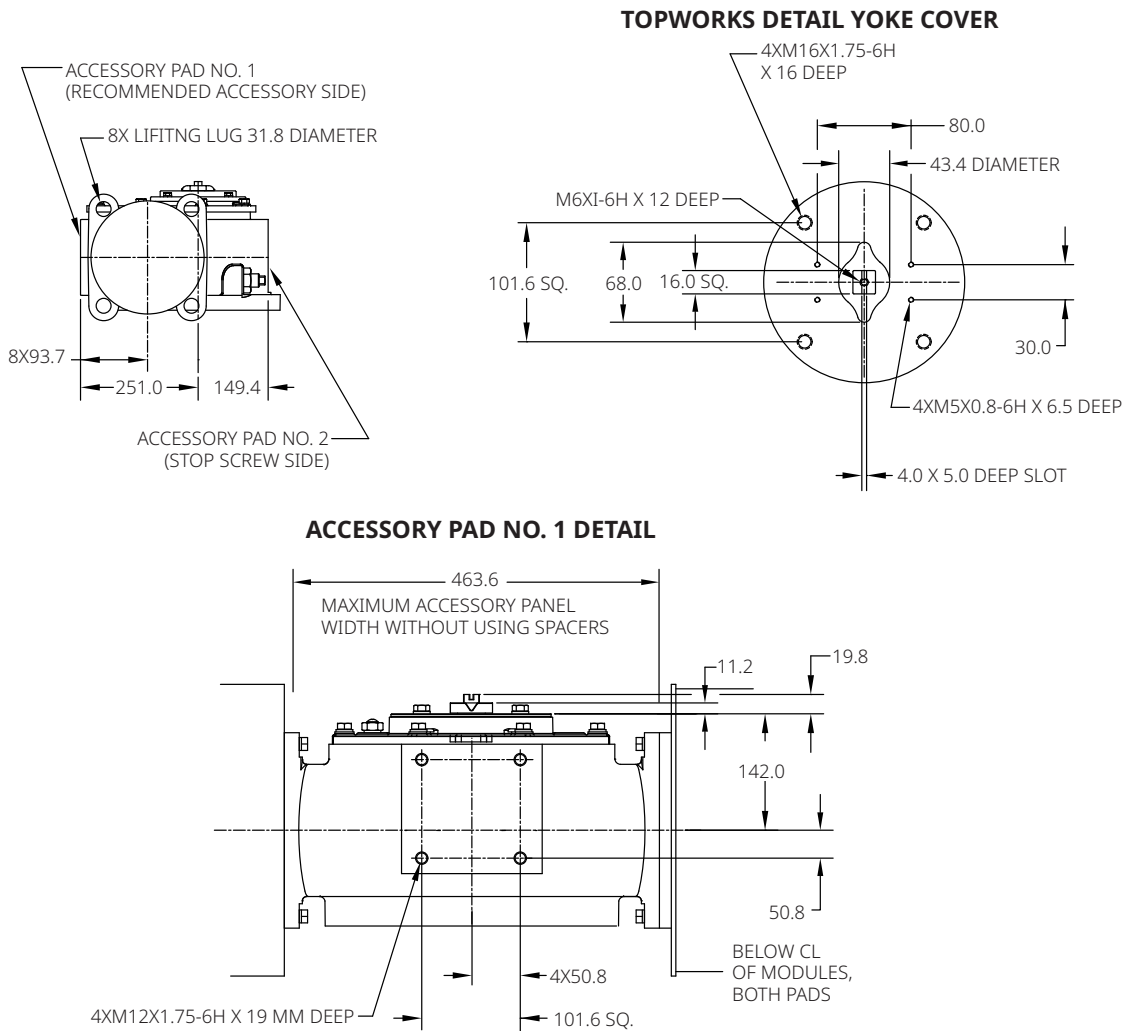
Data Sheet

VCPDS-17262-EN Rev. 1

December 2024

FG/FGC-Series

Spring-Return Actuators Lug/Accessory Details



Notes:

Not Certified dimensional drawings. Such drawings are available on request.
Contact factory with correct model designation and serial number.
All dimensions are expressed in millimeters.



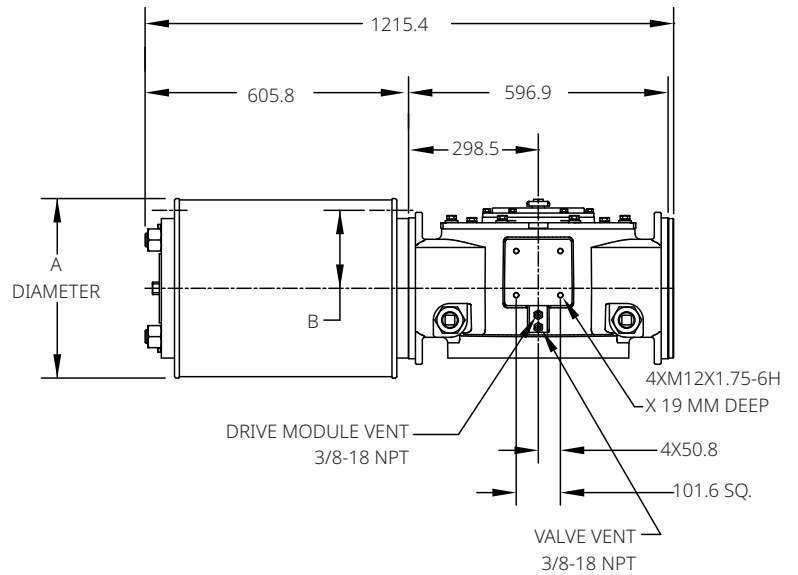
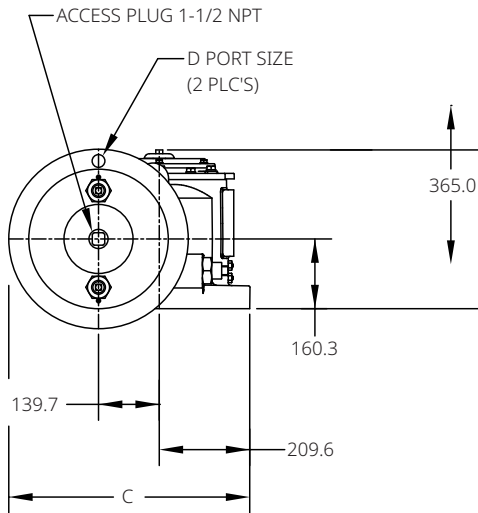
Data Sheet

VCPDS-17262-EN Rev. 1

December 2024

FG/FGC-Series

Double-Acting Actuators FG51XX/FGC51XX (CW Model Shown)



Notes:

Not Certified dimensional drawings. Such drawings are available on request.

Contact factory with correct model designation and serial number.

All dimensions are expressed in millimeters.

Table 21.

Actuator Model	A	B	C	D
FG5116/FGC5116	412.8	179.3	555.8	3/4 NPT
FG5120/FGC5120	514.4	203.2	606.6	3/4 NPT
FG5124/FGC5124	616.0	235.0	657.4	1 NPT
FG5128/FGC5128	736.6	306.3	717.6	1 NPT
FG5132/FGC5132	838.2	355.6	768.4	1-1/2 NPT
FG5136/FGC5136	946.2	406.4	822.5	1-1/2 NPT

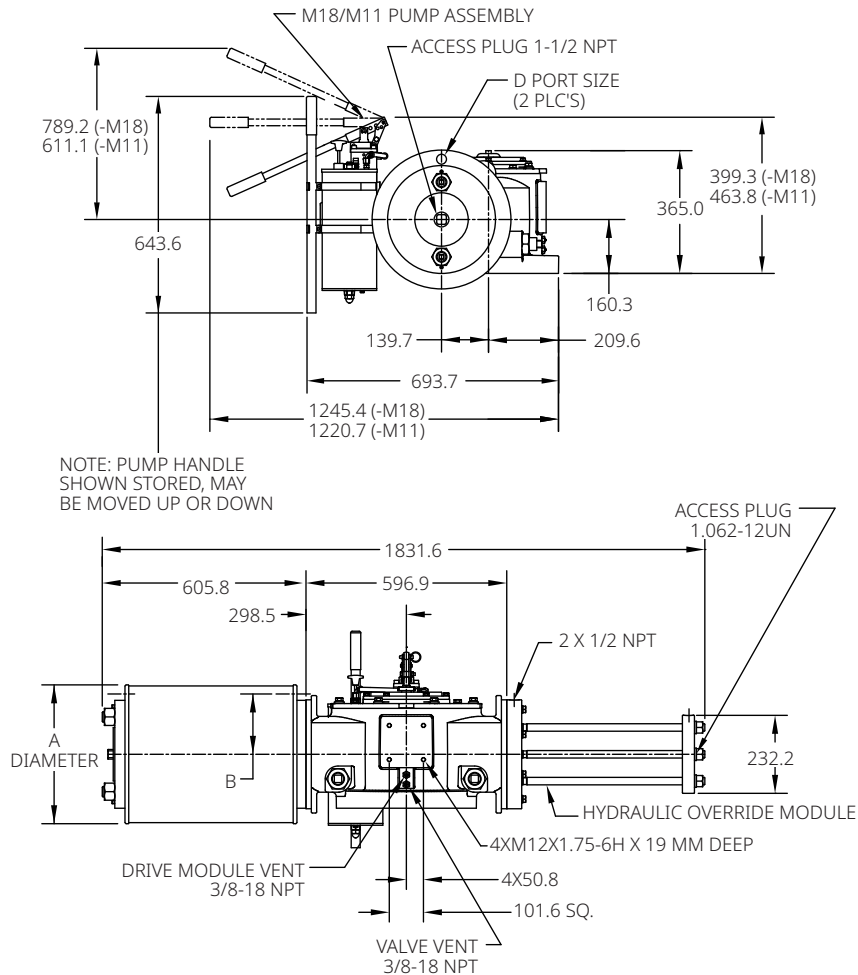


Data Sheet

VCPDS-17262-EN Rev. 1
December 2024

FG/FGC-Series

FG51XX-M18/FGC51XX-M18 FG51XX-M11/FGC51XX-M11 (CW Model Shown)



Notes:

Not Certified dimensional drawings. Such drawings are available on request.
Contact factory with correct model designation and serial number.
All dimensions are expressed in millimeters.

Table 22.

Actuator Model	A	B	C
FG5116-M18/FGC5116-M18	412.8	179.3	3/4 NPT
FG5120-M18/FGC5120-M18	514.4	203.2	3/4 NPT
FG5124-M18/FGC5124-M18	616.0	235.0	1 NPT
FG5128-M18/FGC5128-M18	736.6	306.3	1 NPT
FG5132-M18/FGC5132-M18	838.2	355.6	1-1/2 NPT
FG5136-M18/FGC5136-M18	946.2	406.4	1-1/2 NPT

Note:

Dimensions A, B and C remain the same in case -M11 in actuator model.

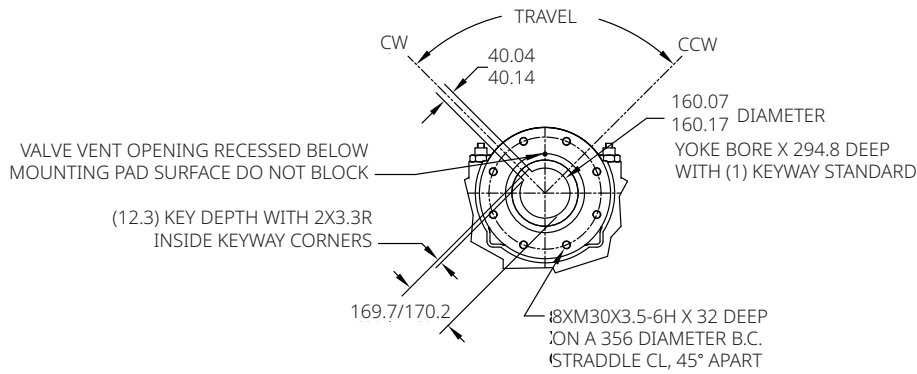


Data Sheet

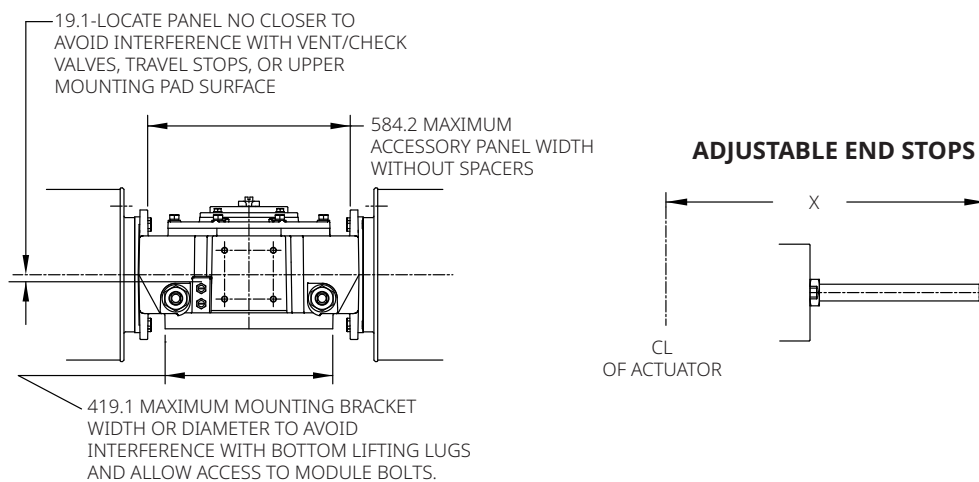
VCPDS-17262-EN Rev. 1
December 2024

FG/FGC-Series

Double-Acting Actuators Valve/Accessory Mounting Details



ACCESSORY PAD NO. 2 DETAIL



Notes:

Not Certified dimensional drawings. Such drawings are available on request.
Contact factory with correct model designation and serial number.
All dimensions are expressed in millimeters.

Table 23.

	X Extended Travel Stop	X End Stop
Power Module	1271.8	979.9
Blind End Cap Module	717.6	441.5
Spring Module	1790.7	1333.5

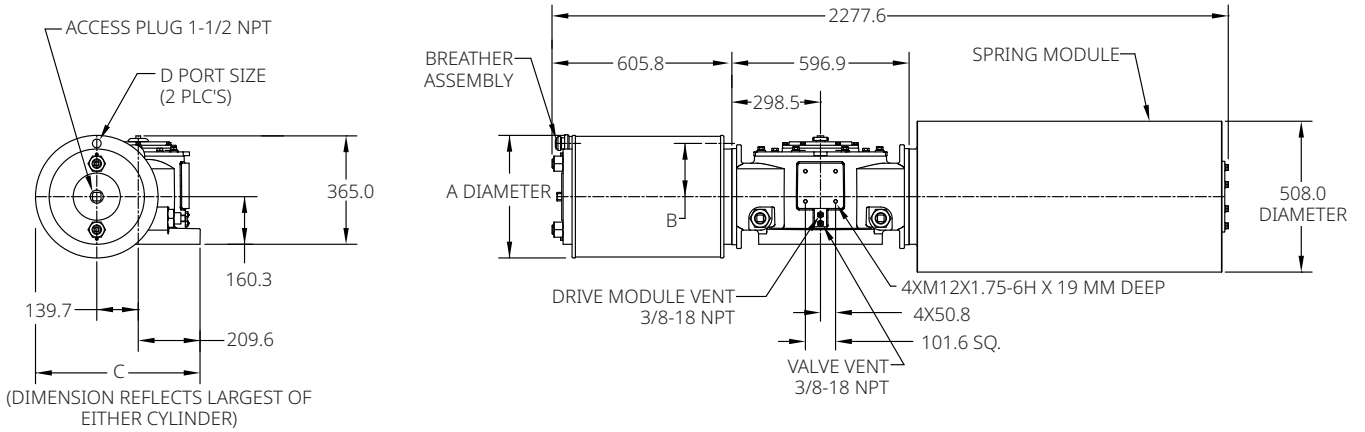


Data Sheet

VCPDS-17262-EN Rev. 1
December 2024

FG/FGC-Series

Spring-Return Actuators FG51XX-SR/FGC51XX-SR (CW Model Shown)



Notes:

Not Certified dimensional drawings. Such drawings are available on request.
Contact factory with correct model designation and serial number.
All dimensions are expressed in millimeters.

Table 24.

Actuator Model	A	B	C	D
FG5116-SR/FGC5116-SR	412.8	179.3	603.3	3/4 NPT
FG5120-SR/FGC5120-SR	514.4	203.2	606.6	3/4 NPT
FG5124-SR/FGC5124-SR	616.0	235.0	657.4	1 NPT
FG5128-SR/FGC5128-SR	736.6	306.3	717.6	1 NPT
FG5132-SR/FGC5132-SR	838.2	355.6	768.4	1-1/2 NPT
FG5136-SR/FGC5136-SR	946.2	406.4	822.5	1-1/2 NPT



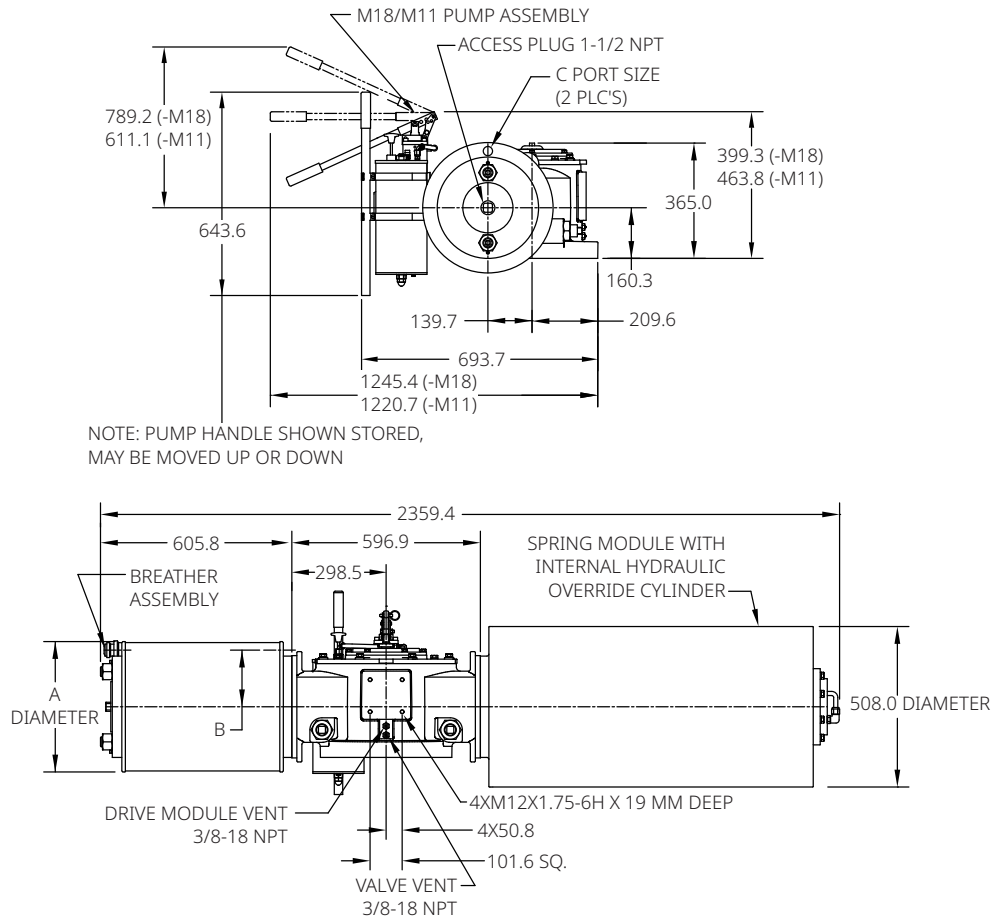
Data Sheet

VCPDS-17262-EN Rev. 1

December 2024

FG/FGC-Series

FG51XX-SR-M18/FGC51XX-SR-M18 FG51XX-SR-M11/FGC51XX-SR-M11 (CW Model Shown)



Notes:

Not Certified dimensional drawings. Such drawings are available on request.

Contact factory with correct model designation and serial number.

All dimensions are expressed in millimeters.

Table 25.

Actuator Model	A	B	C
FG5116-SR-M18/FGC5116-SR-M18	412.8	179.3	3/4 NPT
FG5120-SR-M18/FGC5120-SR-M18	514.4	203.2	3/4 NPT
FG5124-SR-M18/FGC5124-SR-M18	616.0	235.0	1 NPT
FG5128-SR-M18/FGC5128-SR-M18	736.6	306.3	1 NPT
FG5132-SR-M18/FGC5132-SR-M18	838.2	355.6	1-1/2 NPT
FG5136-SR-M18/FGC5136-SR-M18	946.2	406.4	1-1/2 NPT

Note:

Dimensions A, B and C remain the same in case -M11 in actuator model.



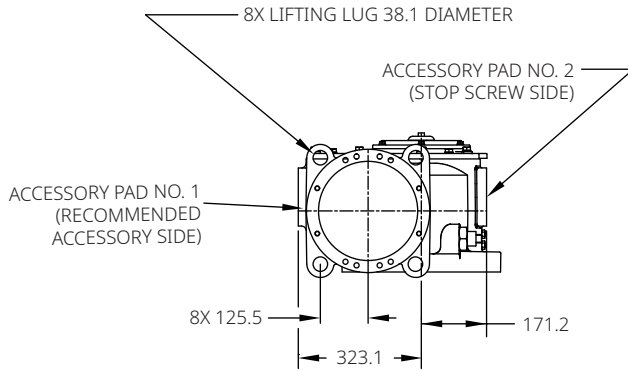
Data Sheet

VCPDS-17262-EN Rev. 1

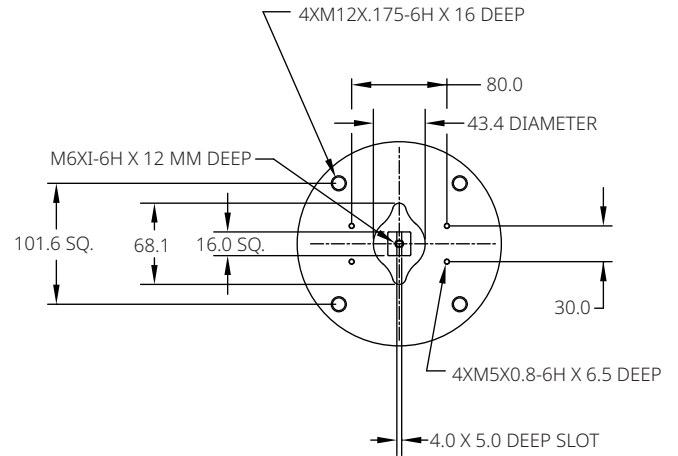
December 2024

FG/FGC-Series

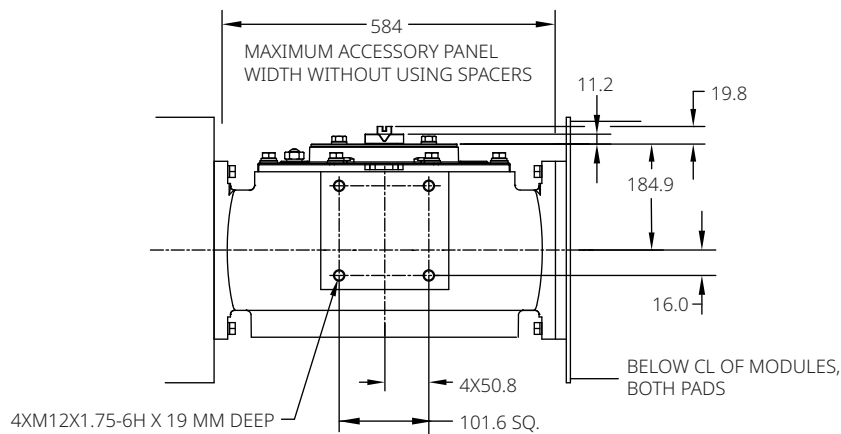
Spring-Return Actuators Lug/Accessory Details



TOPWORKS DETAIL YOKE COVER



ACCESSORY PAD NO. 1 DETAIL



Notes:

Not Certified dimensional drawings. Such drawings are available on request.

Contact factory with correct model designation and serial number.

All dimensions are expressed in millimeters.



Data Sheet

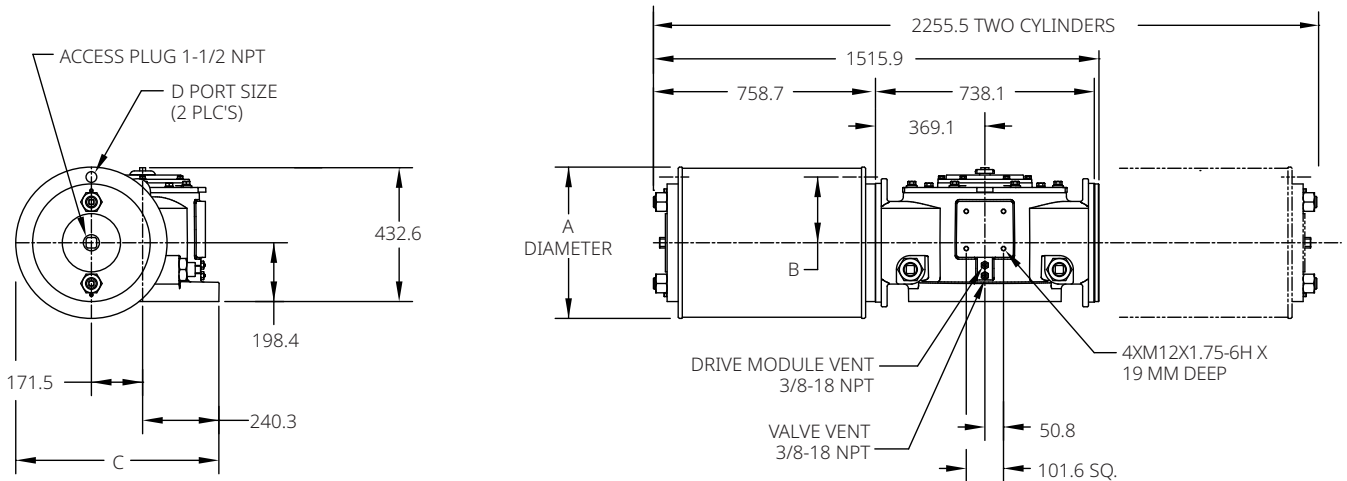
VCPDS-17262-EN Rev. 1

December 2024

FG/FGC-Series

Double-Acting Actuators

FG71XX/FGC71XX or FG712XX/FGC712XX (CW Model Shown)



Notes:

Not Certified dimensional drawings. Such drawings are available on request.

Contact factory with correct model designation and serial number.

All dimensions are expressed in millimeters.

Table 26.

Actuator Model	A	B	C	D
FG7120/FGC7120	514.4	222.3	669.0	3/4 NPT
FG7124/FGC7124	616.0	244.6	719.8	1 NPT
FG7128/FGC7128	736.6	285.8	780.0	1-1/2 NPT
FG7132/FGC7132	838.2	355.6	830.8	1-1/2 NPT
FG7136/FGC7136	946.2	406.4	884.9	1-1/2 NPT
FG71228/FGC71228	736.6	285.8	780.0	1-1/2 NPT

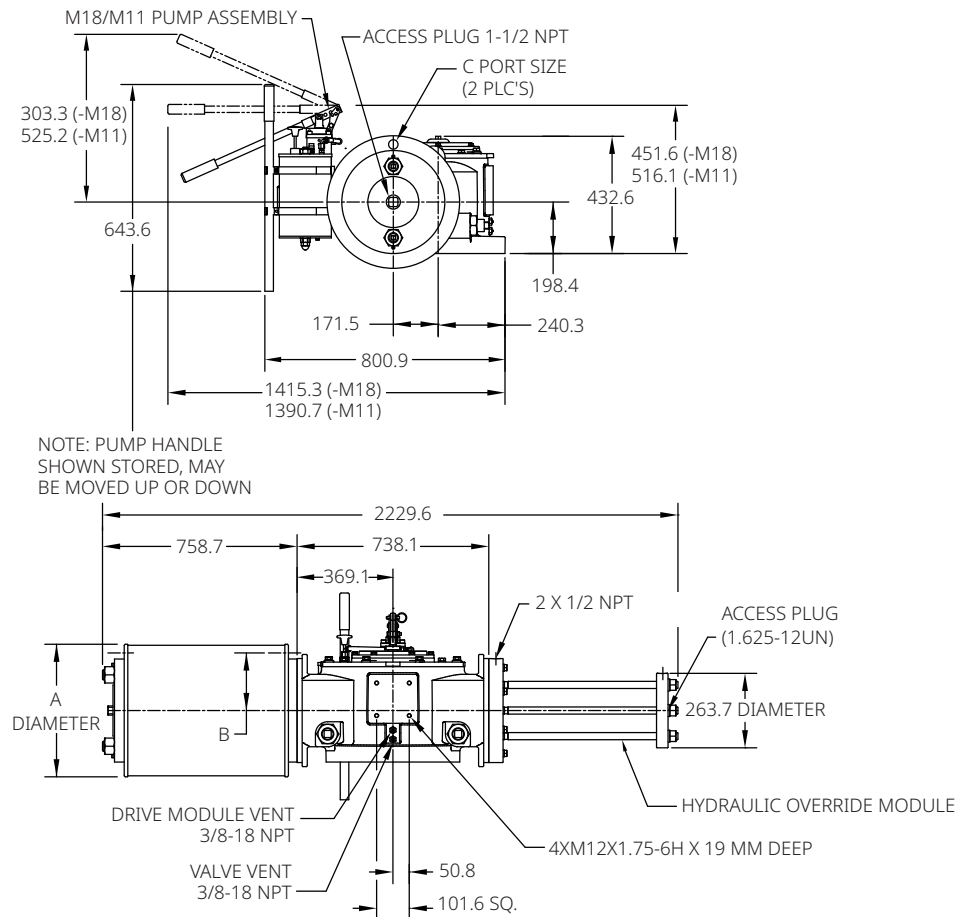


Data Sheet

VCPDS-17262-EN Rev. 1
December 2024

FG/FGC-Series

FG71XX-M18/FGC71XX-M18 FG71XX-M11/FGC71XX-M11 (CW Model Shown)



Notes:

Not Certified dimensional drawings. Such drawings are available on request.
Contact factory with correct model designation and serial number.
All dimensions are expressed in millimeters.

Table 27.

Actuator Model	A	B	C
FG7120-M18/FGC7120-M18	514.4	222.3	3/4 NPT
FG7124-M18/FGC7124-M18	616.0	244.6	1 NPT
FG7128-M18/FGC7128-M18	736.6	285.8	1-1/2 NPT
FG7132-M18/FGC7132-M18	838.2	355.6	1-1/2 NPT
FG7136-M18/FGC7136-M18	946.2	406.4	1-1/2 NPT

Note:

Dimensions A, B and C remain the same in case -M11 in actuator model.

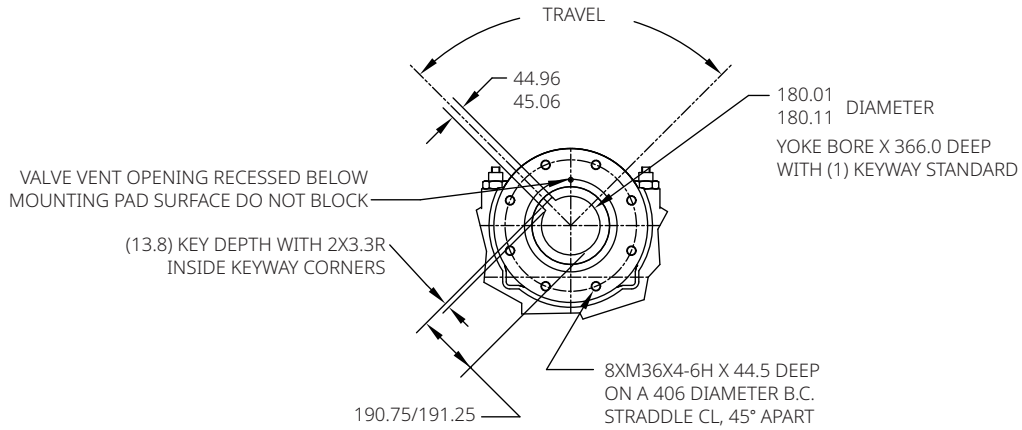


Data Sheet

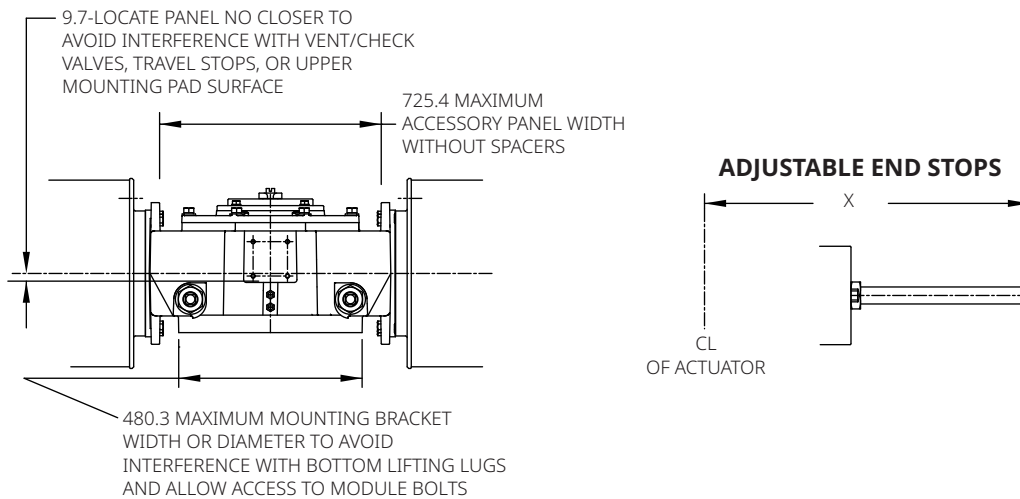
VCPDS-17262-EN Rev. 1
December 2024

FG/FGC-Series

Double-Acting Actuators Valve/Accessory Mounting Details



ACCESSORY PAD NO. 2 DETAIL



Notes:

Not Certified dimensional drawings. Such drawings are available on request.
Contact factory with correct model designation and serial number.
All dimensions are expressed in millimeters.

Table 28.

	X Extended Travel Stop	X End Stop
Power Module	1548.6	1186.7
Blind End Cap Module	902.5	540.5
Spring Module	2313.9	1382.8



Data Sheet

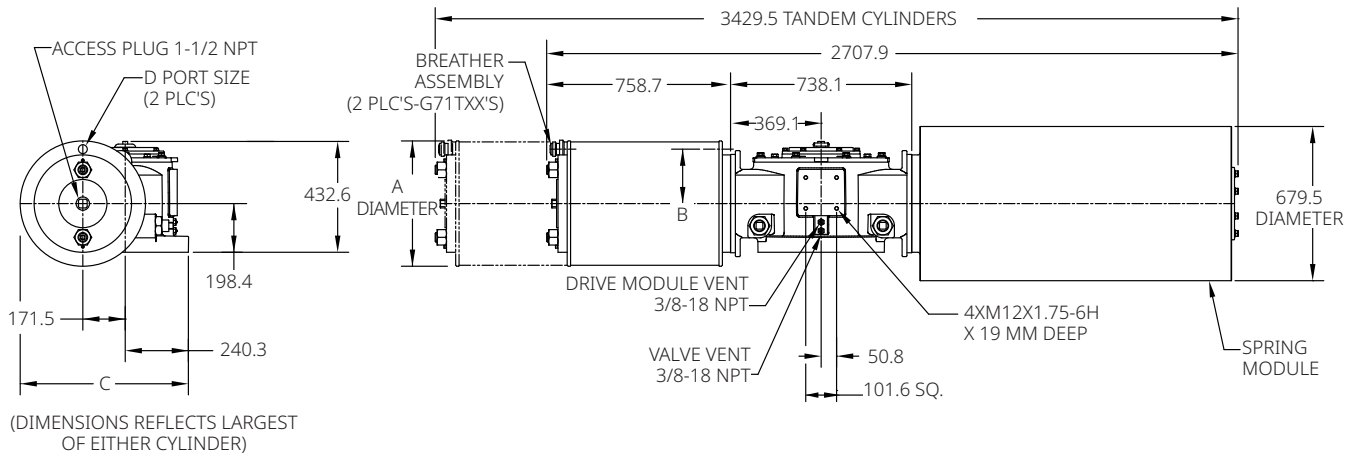
VCPDS-17262-EN Rev. 1

December 2024

FG/FGC-Series

Spring-Return Actuators

FG71XX-SR/FGC71XX-SR or FG71TXX-SR/FGC71TXX-SR (CW Model Shown)



Notes:

Not Certified dimensional drawings. Such drawings are available on request.
Contact factory with correct model designation and serial number.
All dimensions are expressed in millimeters.

Table 29.

Actuator Model	A	B	C	D
FG7120-SR/FGC7120-SR	514.4	222.3	751.6	3/4 NPT
FG7124-SR/FGC7124-SR	616.0	244.6	751.6	1 NPT
FG7128-SR/FGC7128-SR	736.6	285.8	780.0	1-1/2 NPT
FG7132-SR/FGC7132-SR	838.2	355.6	830.8	1-1/2 NPT
FG7136-SR/FGC7136-SR	946.2	406.4	884.9	1-1/2 NPT
FG71T28-SR/FGC71T28-SR	736.6	285.8	780.0	1-1/2 NPT

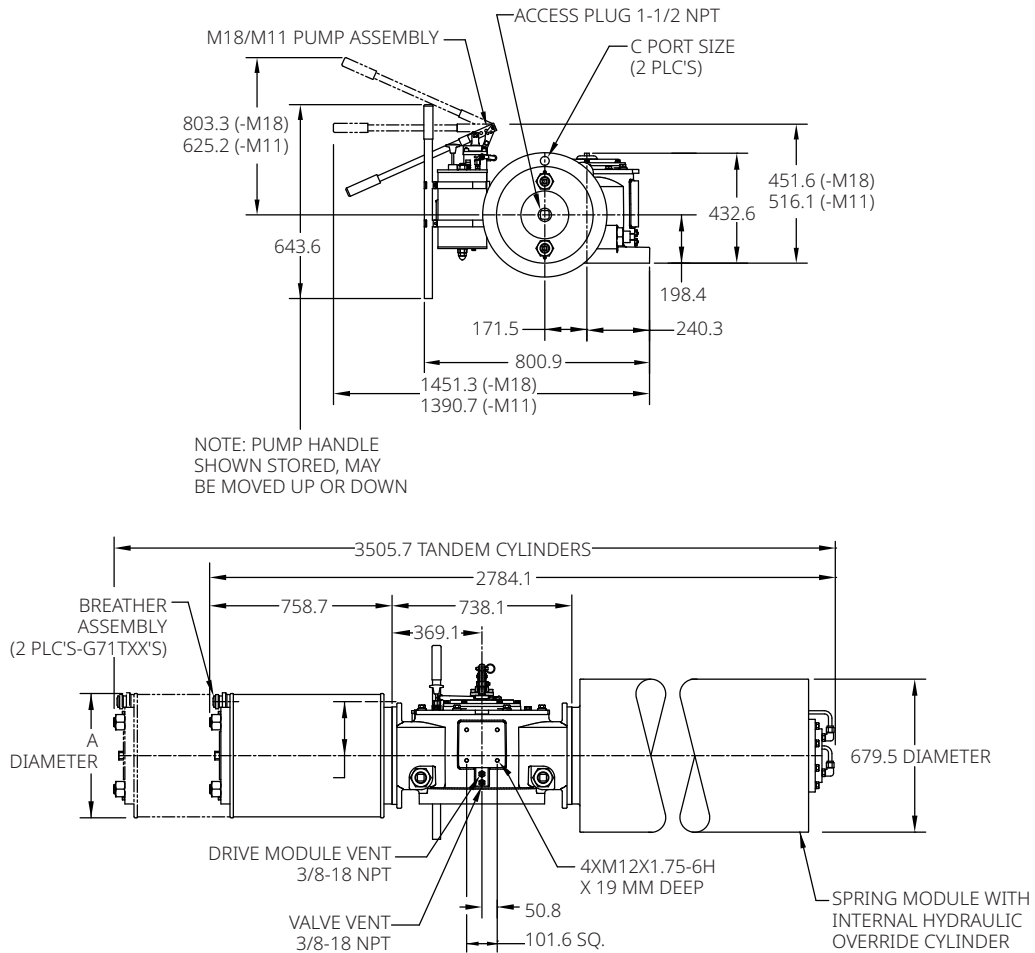


Data Sheet

VCPDS-17262-EN Rev. 1
December 2024

FG/FGC-Series

FG71XX-SR-M18/FGC71XX-SR-M18 or FG71TXX-SR-M18/FGC71TXX-SR-M18 FG71XX-SR-M11/FGC71XX-SR-M11 or FG71TXX-SR-M11/FGC71TXX-SR-M11 (CW Model Shown)



Notes:
Not Certified dimensional drawings. Such drawings are available on request.
Contact factory with correct model designation and serial number.
All dimensions are expressed in millimeters.

Table 30.

Actuator Model	A	B	C
FG7120-SR-M18/FGC7120-SR-M18	514.4	222.3	3/4 NPT
FG7124-SR-M18/FGC7124-SR-M18	616.0	244.6	1 NPT
FG7128-SR-M18/FGC7128-SR-M18	736.6	285.8	1-1/2 NPT
FG7132-SR-M18/FGC7132-SR-M18	838.2	355.6	1-1/2 NPT
FG7136-SR-M18/FGC7136-SR-M18	946.2	406.4	1-1/2 NPT
FG71T28-SR-M18/FGC71T28-SR-M18	736.6	285.8	1-1/2 NPT

Note:
Dimensions A, B and C remain the same in case -M11 in actuator model.



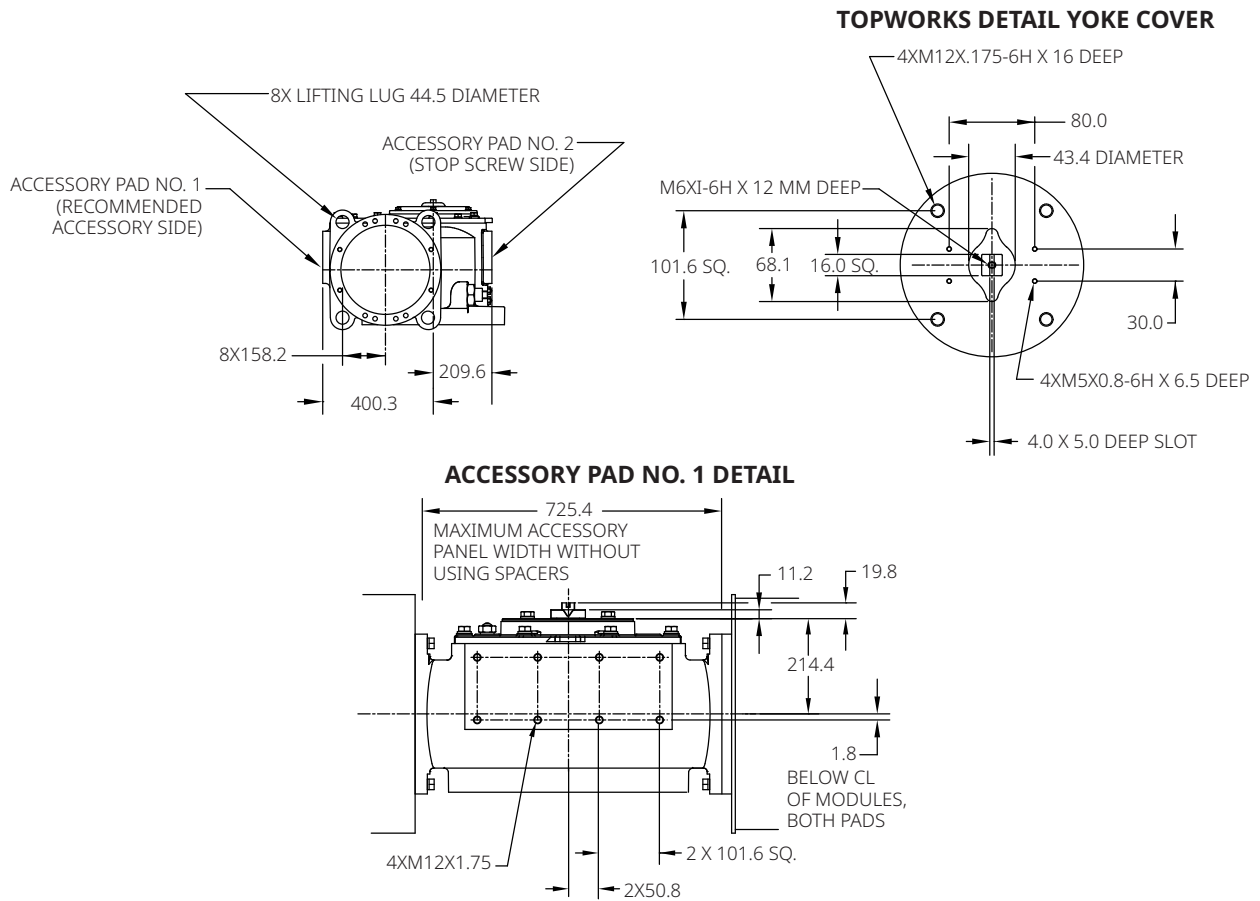
Data Sheet

VCPDS-17262-EN Rev. 1

December 2024

FG/FGC-Series

Spring-Return Actuators Lug/Accessory Details



Notes:

Not Certified dimensional drawings. Such drawings are available on request.

Contact factory with correct model designation and serial number.

All dimensions are expressed in millimeters.



Data Sheet

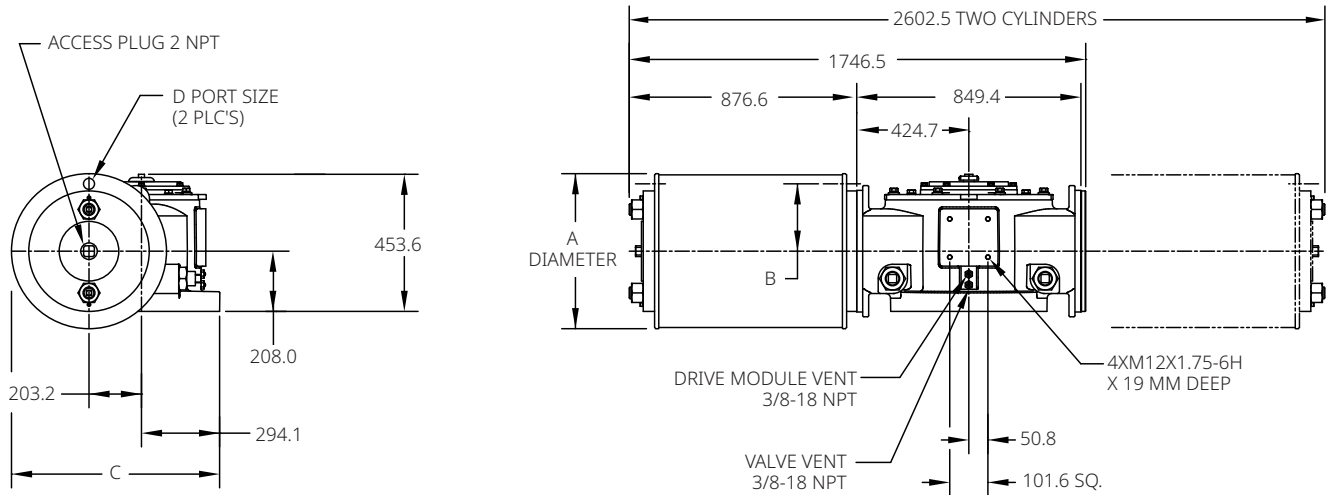
VCPDS-17262-EN Rev. 1

December 2024

FG/FGC-Series

Double-Acting Actuators

FG81XX/FGC81XX or FG812XX/FGC812XX (CW Model Shown)



Notes:

Not Certified dimensional drawings. Such drawings are available on request.
 Contact factory with correct model designation and serial number.
 All dimensions are expressed in millimeters.

Table 31.

Actuator Model	A	B	C	D
FG8124/FGC8124	616.0	244.6	805.4	1 NPT
FG8128/FGC8128	736.6	314.5	865.6	1-1/2 NPT
FG8132/FGC8132	838.2	339.9	916.4	1-1/2 NPT
FG8136/FGC8136	946.2	406.4	970.5	1-1/2 NPT
FG8140/FGC8140	1047.8	457.2	1021.3	2 NPT
FG81232/FGC81232	838.2	339.9	916.4	1-1/2 NPT
FG81236/FGC81236	946.2	406.4	970.5	1-1/2 NPT

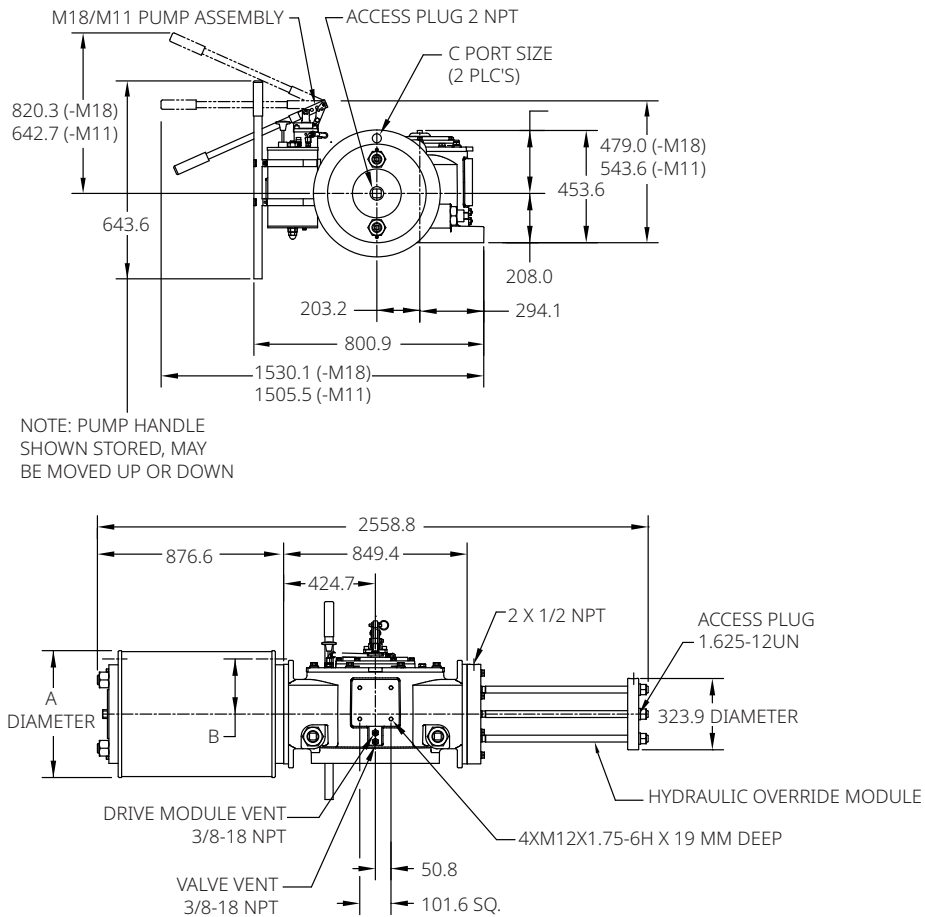


Data Sheet

VCPDS-17262-EN Rev. 1
December 2024

FG/FGC-Series

FG81XX-M18/FGC81XX-M18 FG81XX-M11/FGC81XX-M11 (CW Model Shown)



Notes:

Not Certified dimensional drawings. Such drawings are available on request.
Contact factory with correct model designation and serial number.
All dimensions are expressed in millimeters.

Table 32.

Actuator Model	A	B	C
FG8124-M18/FGC8124-M18	616.0	244.6	1 NPT
FG8128-M18/FGC8128-M18	736.6	314.5	1-1/2 NPT
FG8132-M18/FGC8132-M18	838.2	339.9	1-1/2 NPT
FG8136-M18/FGC8136-M18	946.2	406.4	1-1/2 NPT
FG8140-M18/FGC8140-M18	1047.8	457.2	2NPT

Note:

Dimensions A, B and C remain the same in case -M11 in actuator model.



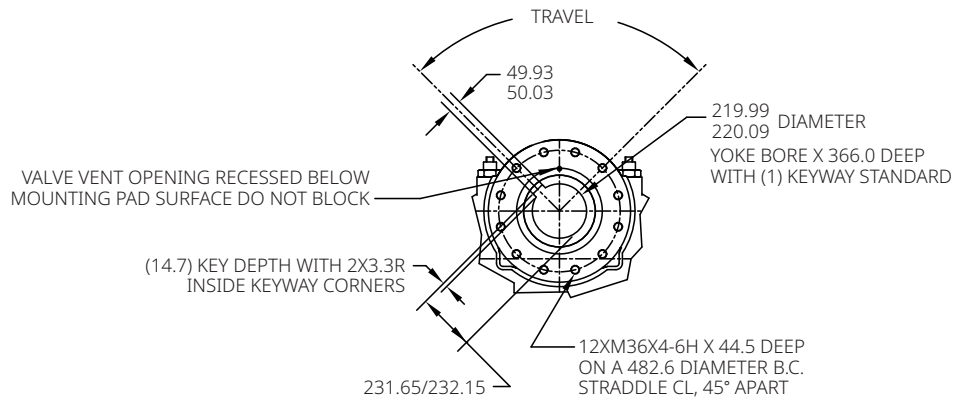
Data Sheet

VCPDS-17262-EN Rev. 1

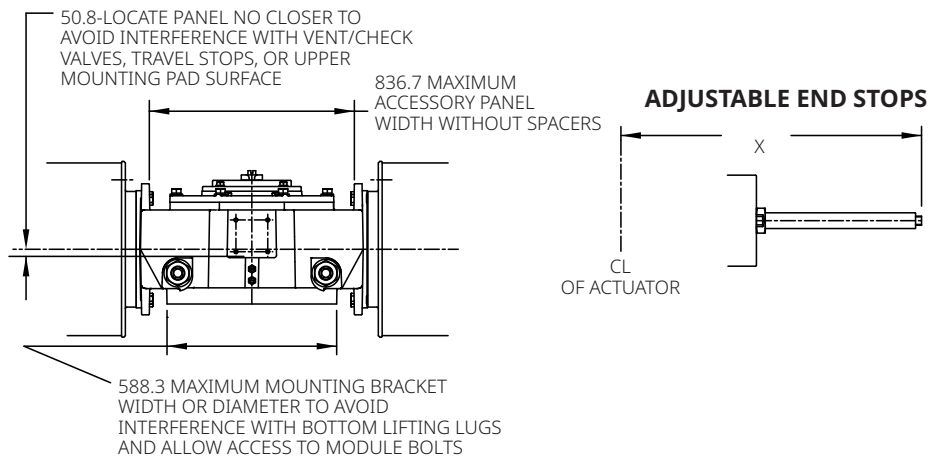
December 2024

FG/FGC-Series

Double-Acting Actuators Valve/Accessory Mounting Details



ACCESSORY PAD NO. 2 DETAIL



Notes:

Not Certified dimensional drawings. Such drawings are available on request.
Contact factory with correct model designation and serial number.
All dimensions are expressed in millimeters.

Table 33.

	X Extended Travel Stop	X End Stop
Power Module	1801.9	1381.5
Blind End Cap Module	1032.8	633.0
Spring Module	2845.8	1803.4



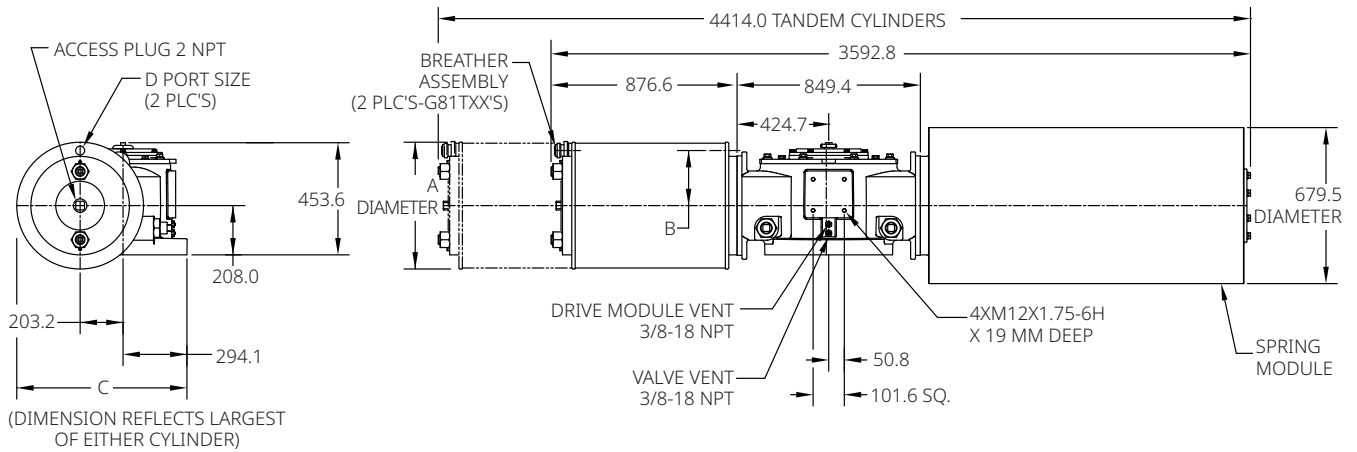
Data Sheet

VCPDS-17262-EN Rev. 1
December 2024

FG/FGC-Series

Spring-Return Actuators

FG81XX-SR/FGC81XX-SR or FG81TXX-SR/FGC81TXX-SR (CW Model Shown)



Notes:

Not Certified dimensional drawings. Such drawings are available on request.
Contact factory with correct model designation and serial number.
All dimensions are expressed in millimeters.

Table 34.

Actuator Model	A	B	C	D
FG8124-SR/FGC8124-SR	616.0	244.6	837.2	1 NPT
FG8128-SR/FGC8128-SR	736.6	314.5	865.6	1-1/2 NPT
FG8132-SR/FGC8132-SR	838.2	339.9	916.4	1-1/2 NPT
FG8136-SR/FGC8136-SR	946.2	406.4	970.5	1-1/2 NPT
FG8140-SR/FGC8140-SR	1047.8	457.2	1021.3	2 NPT
FG81T32-SR/FGC81T32-SR	838.2	339.9	916.4	1-1/2 NPT
FG81T36-SR/FGC81T36-SR	946.2	406.4	970.5	1-1/2 NPT

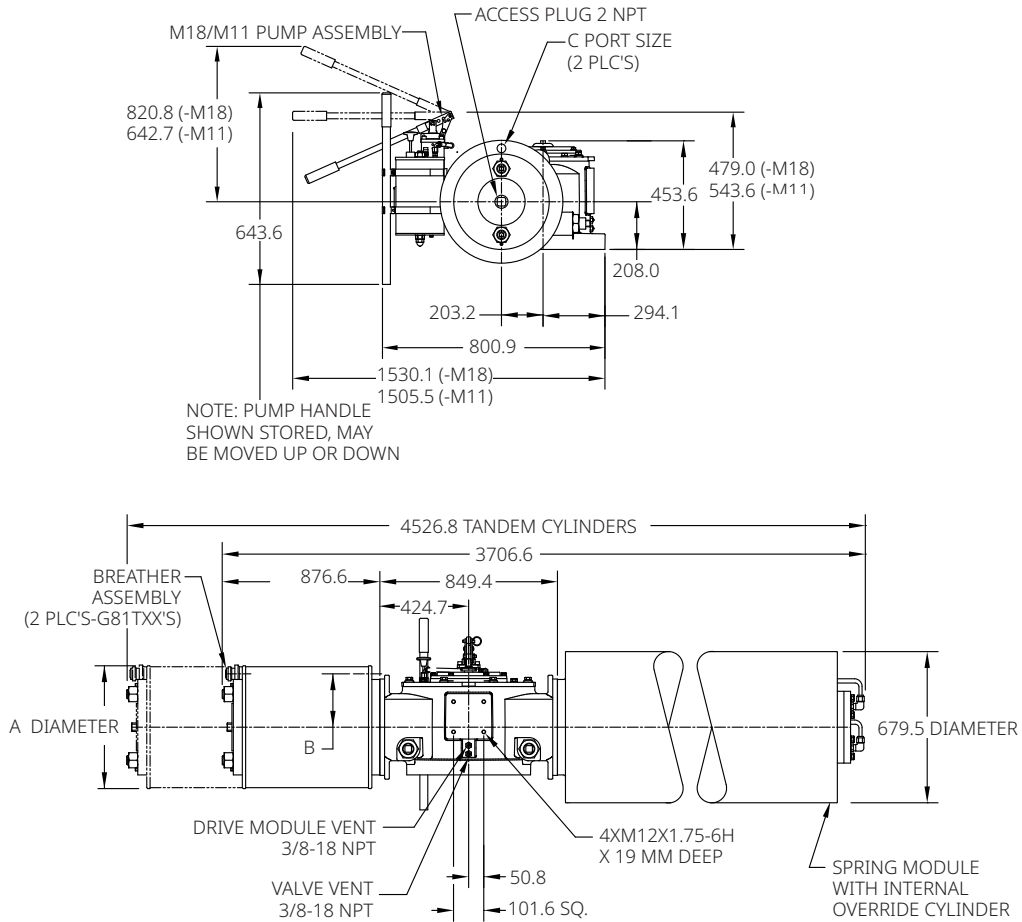


Data Sheet

VCPDS-17262-EN Rev. 1
December 2024

FG/FGC-Series

FG81XX-SR-M18/FGC81XX-SR-M18 or FG81TXX-SR-M18/FGC81TXX-SR-M18 FG81XX-SR-M11/FGC81XX-SR-M11 or FG81TXX-SR-M11/FGC81TXX-SR-M11 (CW Model Shown)



Notes:

Not Certified dimensional drawings. Such drawings are available on request.
Contact factory with correct model designation and serial number.
All dimensions are expressed in millimeters.

Table 35.

Actuator Model	A	B	C
FG8124-SR-M18/FGC8124-SR-M18	616.0	244.6	1 NPT
FG8128-SR-M18/FGC8128-SR-M18	736.6	314.5	1-1/2 NPT
FG8132-SR-M18/FGC8132-SR-M18	838.2	339.9	1-1/2 NPT
FG8136-SR-M18/FGC8136-SR-M18	946.2	406.4	1-1/2 NPT
FG8140-SR-M18/FGC8140-SR-M18	1047.8	457.2	2 NPT
FG81T32-SR-M18/FGC81T32-SR-M18	838.2	339.9	1-1/2 NPT
FG81T36-SR-M18/FGC81T36-SR-M18	946.2	406.4	1-1/2 NPT

Note:

Dimensions A, B and C remain the same in case -M11 in actuator model.



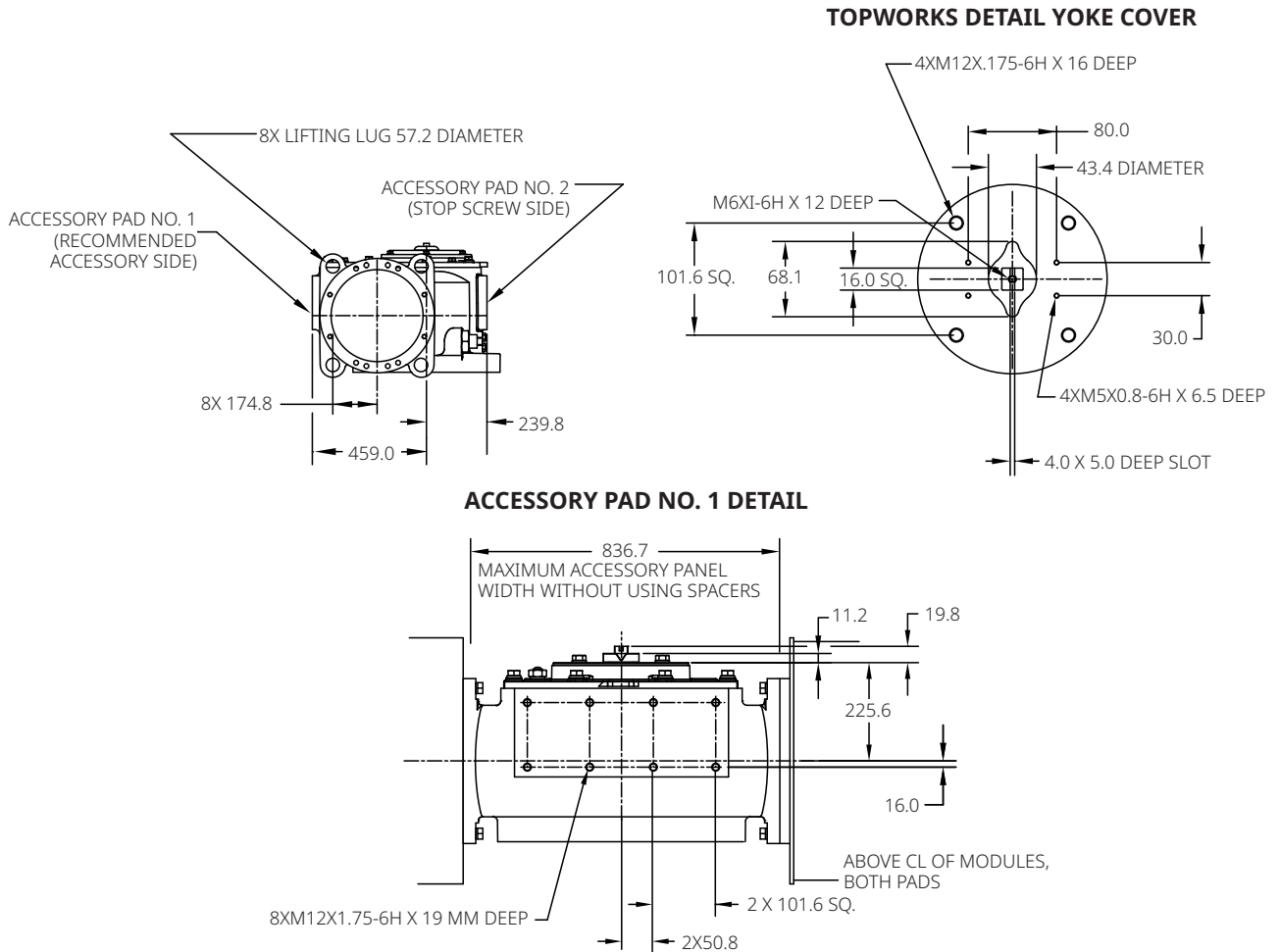
Data Sheet

VCPDS-17262-EN Rev. 1

December 2024

FG/FGC-Series

Spring-Return Actuators Lug/Accessory Details



Notes:

Not Certified dimensional drawings. Such drawings are available on request.

Contact factory with correct model designation and serial number.

All dimensions are expressed in millimeters.



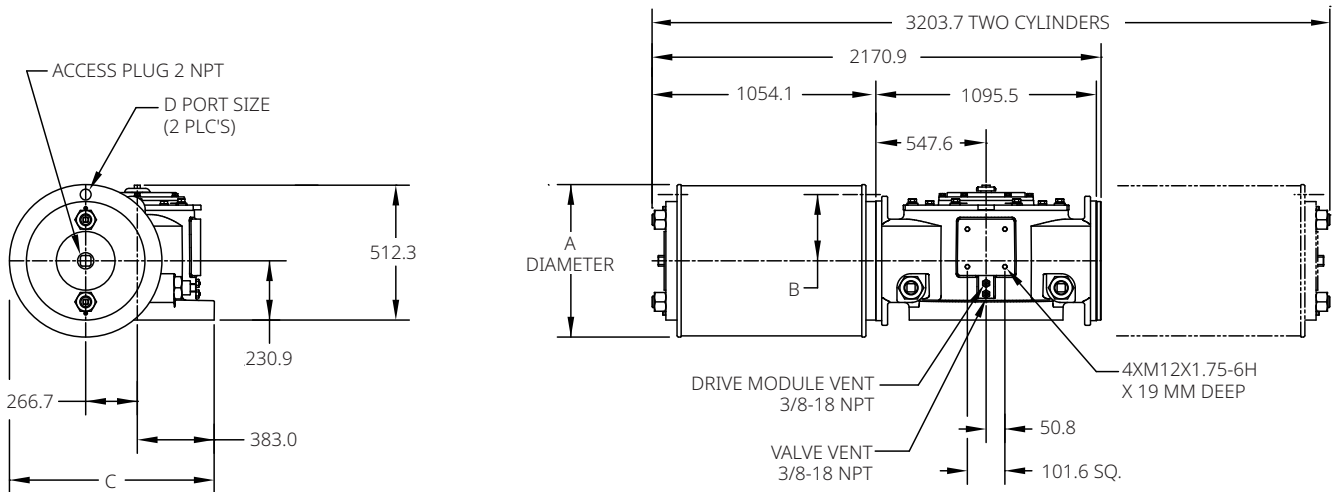
Data Sheet

VCPDS-17262-EN Rev. 1

December 2024

FG/FGC-Series

Double-Acting Actuators FG101XX/FGC101XX or FG1012XX/FGC1012XX (CW Model Shown)



Notes:

Not Certified dimensional drawings. Such drawings are available on request.

Contact factory with correct model designation and serial number.

All dimensions are expressed in millimeters.

Table 36.

Actuator Model	A	B	C	D
FG10128/FGC10128	736.6	314.5	1018.0	1-1/2 NPT
FG10132/FGC10132	838.2	339.9	1068.8	1-1/2 NPT
FG10136/FGC10136	946.2	406.4	1122.9	2 NPT
FG10140/FGC10140	1122.9	457.2	1173.7	2 NPT
FG101232/FGC101232	838.2	339.9	1068.8	1-1/2 NPT
FG101236/FGC101236	946.2	406.4	1122.9	2 NPT
FG101240/FGC101240	1047.8	457.2	1173.7	2 NPT

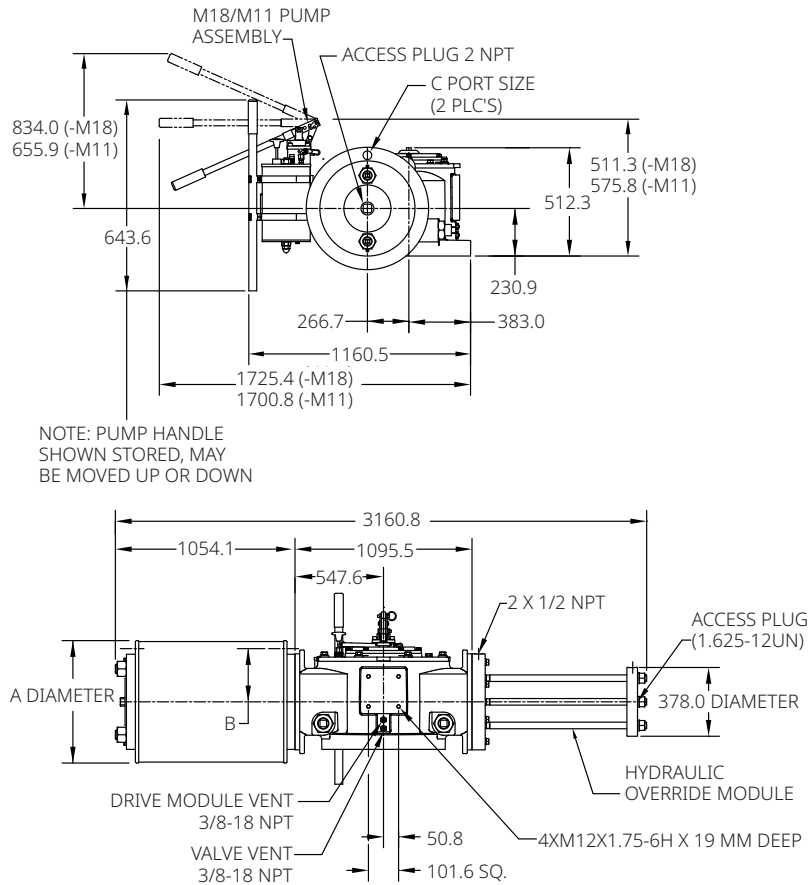


Data Sheet

VCPDS-17262-EN Rev. 1
December 2024

FG/FGC-Series

FG101XX-M18/FGC101XX-M18 FG101XX-M11/FGC101XX-M11 (CW Model Shown)



Notes:
Not Certified dimensional drawings. Such drawings are available on request.
Contact factory with correct model designation and serial number.
All dimensions are expressed in millimeters.

Table 37.

Actuator Model	A	B	C
FG10128-M18/FGC10128-M18	736.6	314.5	1-1/2 NPT
FG10132-M18/FGC10132-M18	838.2	339.9	1-1/2 NPT
FG10136-M18/FGC10136-M18	946.2	406.4	2 NPT
FG10140-M18/FGC10140-M18	1047.8	457.2	2 NPT

Note:
Dimensions A, B and C remain the same in case -M11 in actuator model.

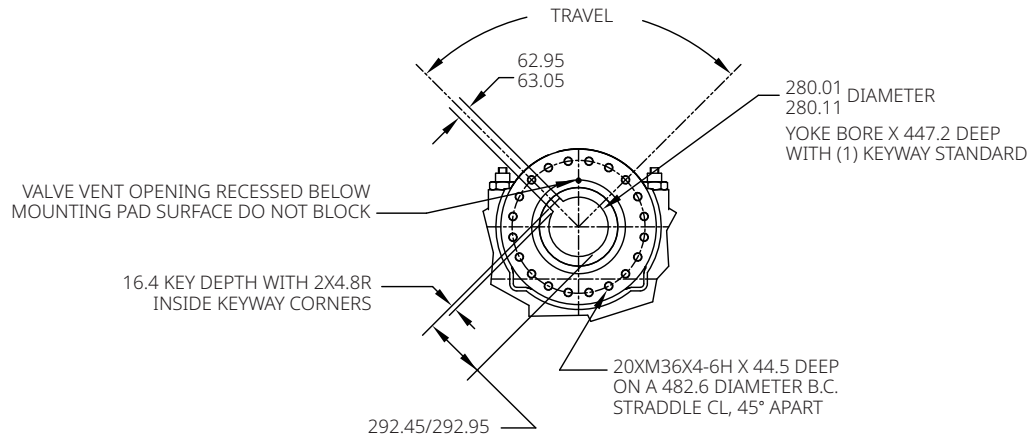


Data Sheet

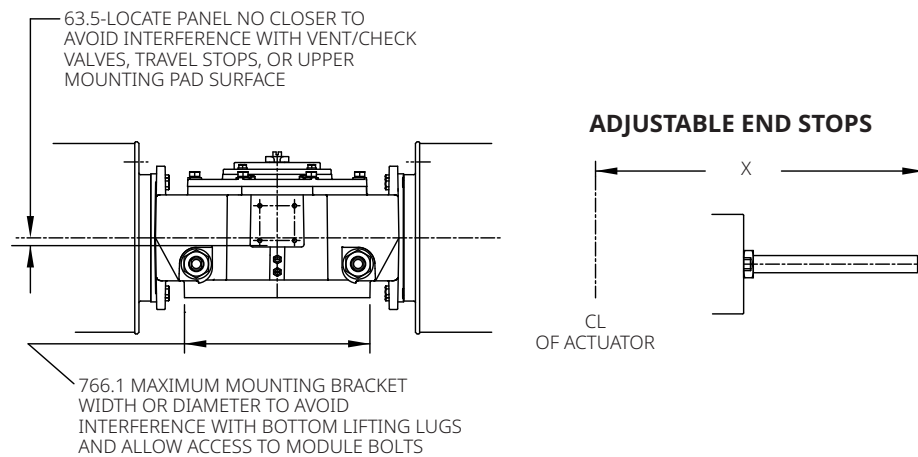
VCPDS-17262-EN Rev. 1
December 2024

FG/FGC-Series

Double-Acting Actuators Valve/Accessory Mounting Details



ACCESSORY PAD NO. 2 DETAIL



Notes:

Not Certified dimensional drawings. Such drawings are available on request.
Contact factory with correct model designation and serial number.
All dimensions are expressed in millimeters.

Table 38.

	X Extended Travel Stop	X End Stop
Power Module	2262.6	1669.0
Blind End Cap Module	1325.6	757.4
Spring Module	3429.5	2051.6



Data Sheet

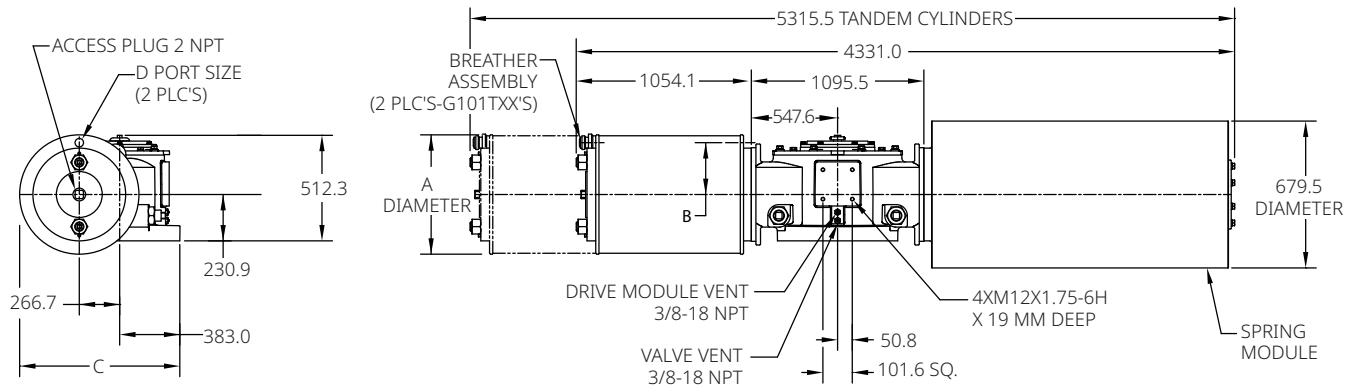
VCPDS-17262-EN Rev. 1

December 2024

FG/FGC-Series

Spring-Return Actuators

FG101XX-SR/FGC101XX-SR or FG101TXX-SR/FGC101TXX-SR (CW Model Shown)



Notes:

Not Certified dimensional drawings. Such drawings are available on request.

Contact factory with correct model designation and serial number.

All dimensions are expressed in millimeters.

Table 39.

Actuator Model	A	B	C	D
FG10128-SR/FGC10128-SR	736.6	314.5	1018.0	1-1/2 NPT
FG10132-SR/FGC10132-SR	838.2	339.9	1068.8	1-1/2 NPT
FG10136-SR/FGC10136-SR	946.2	406.4	1122.9	2 NPT
FG10140-SR/FGC10140-SR	1047.8	457.2	1173.7	2 NPT
FG101T32-SR/FGC101T32-SR	838.2	339.9	1068.8	1-1/2 NPT
FG101T36-SR/FGC101T36-SR	946.2	406.4	1122.9	2 NPT
FG101T40-SR/FGC101T40-SR	1047.8	457.2	1173.7	2 NPT

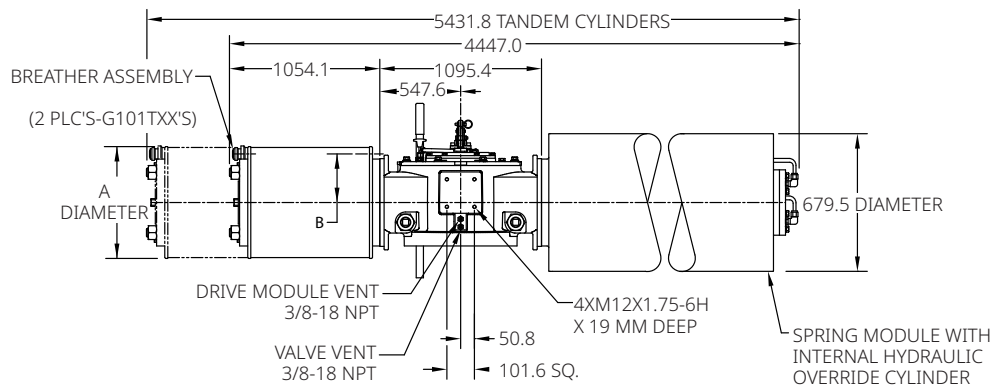
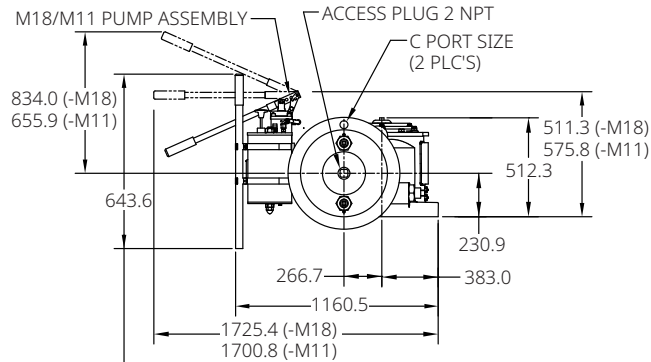


Data Sheet

VCPDS-17262-EN Rev. 1
December 2024

FG/FGC-Series

FG101XX-SR-M18/FGC101XX-SR-M18 or FG101TXX-SR-M18/FGC101TXX-SR-M18 FG101XX-SR-M11/FGC101XX-SR-M11 or FG101TXX-SR-M11/FGC101TXX-SR-M11 (CW Model Shown)



Notes:

Not Certified dimensional drawings. Such drawings are available on request.
Contact factory with correct model designation and serial number.
All dimensions are expressed in millimeters.

Table 40.

Actuator Model	A	B	C
FG10128-SR-M18/FGC10128-SR-M18	736.6	314.5	1-1/2 NPT
FG10132-SR-M18/FGC10132-SR-M18	838.2	339.9	1-1/2 NPT
FG10136-SR-M18/FGC10136-SR-M18	946.2	406.4	2 NPT
FG10140-SR-M18/FGC10140-SR-M18	1047.8	457.2	2 NPT
FG101T32-SR-M18/FGC101T32-SR-M18	838.2	339.9	1-1/2 NPT
FG101T36-SR-M18/FGC101T36-SR-M18	946.2	406.4	2 NPT
FG101T40-SR-M18/FGC101T40-SR-M18	1047.8	457.2	2 NPT

Note:

Dimensions A, B and C remain the same in case -M11 in actuator model.



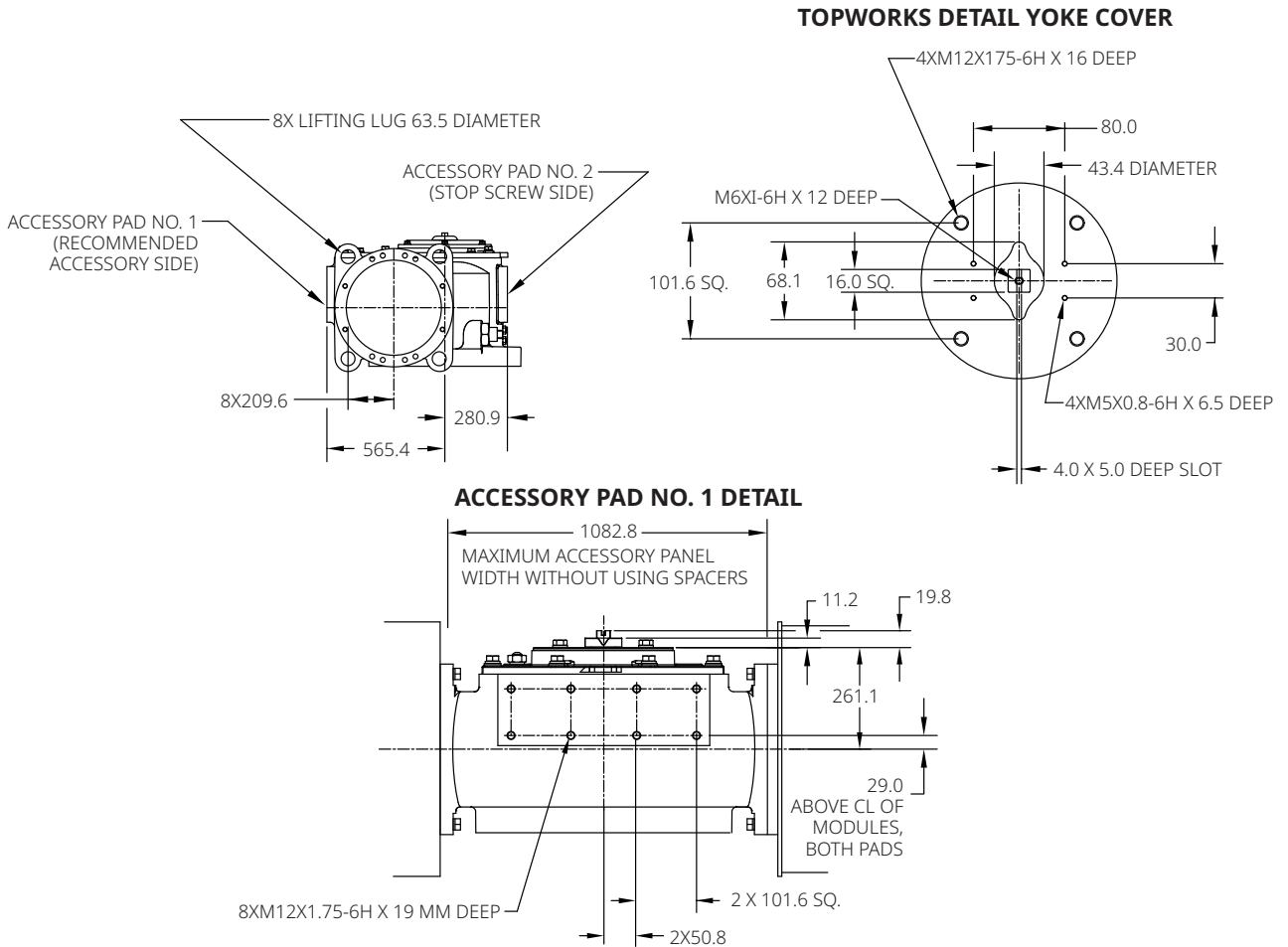
Data Sheet

VCPDS-17262-EN Rev. 1

December 2024

FG/FGC-Series

Spring-Return Actuators Lug/Accessory Details



Notes:

Not Certified dimensional drawings. Such drawings are available on request.

Contact factory with correct model designation and serial number.

All dimensions are expressed in millimeters.



Biffi Italia s.r.l.
Strada Biffi 165
29017 Fiorenzuola d'Arda (PC)
Italy
T +39 0523 944 411

For complete list of sales and manufacturing sites, please visit
www.biffi.it or contact us at biffi_italia@biffi.it

VCPDS-17262-EN (CP-13967) © 2022, 2024 Biffi. All rights reserved.

The contents of this publication are presented for informational purposes only, and while every effort has been made to ensure their accuracy, they are not to be construed as warranties or guarantees, express or implied, regarding the products or services described herein or their use or applicability. All sales are governed by our terms and conditions, which are available upon request. We reserve the right to modify or improve the designs or specifications of such products at any time without notice.

