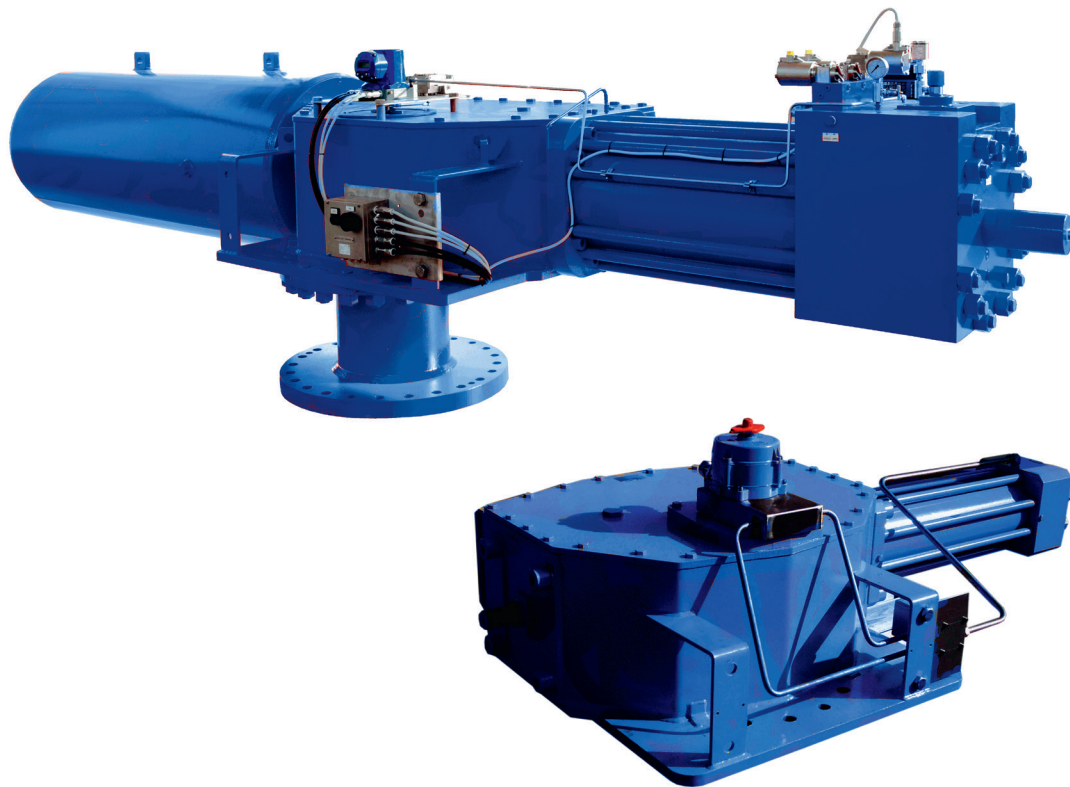


Biffi OLGA-H/OLGAS-H/OLGAS-H-QA

High Pressure Hydraulic Actuators Scotch Yoke Design

Double-acting and spring return hydraulic quarter-turn actuators for ON/OFF and modulating control of valves in heavy-duty service suitable for high pressure supply. Models available for output torques to 750,000 Nm.



This page intentionally left blank.

Table of Contents

Section 1: General Application	
General Application	7
Section 2: Technical Data	
Technical Data	7
Section 3: Features	
Features	7
Section 4: Approvals	
Approvals	7
Section 5: OLGA-H Double-Acting Hydraulic Actuator	
Output Torques (Nm) - Canted Yoke Design, Models 0.3C-28 to 1.5C-95.....	9
Section 6: OLGA-H Double-Acting Hydraulic Actuator	
Output Torques (Nm) - Canted Yoke Design, Models 3C-60 to 6C-125.....	11
Section 7: OLGA-H Double-Acting Hydraulic Actuator	
Output Torques (Nm) - Canted Yoke Design, Models 14C-85 to 80C-200.....	13
Section 8: OLGA-H Double-Acting Hydraulic Actuator	
Output Torques (Nm) - Symmetric Yoke Design, Models 0.3S-28 to 1.5S-95.....	15
Section 9: OLGA-H Double-Acting Hydraulic Actuator	
Output Torques (Nm) - Symmetric Yoke Design, Models 3S-60 to 6S-125.....	17
Section 10: OLGA-H Double-Acting Hydraulic Actuator	
Output Torques (Nm) - Symmetric Yoke Design, Models 14S-85 to 80S-200.....	19
Section 11: OLGAS-H Spring-Return Hydraulic Actuator	
Output Torques (Nm) - Canted Yoke Design, Spring to Close Models 0.3C-008A-20-CL to 0.9C-0700-85-CL.....	21
Section 12: OLGAS-H Spring-Return Hydraulic Actuator	
Output Torques (Nm) - Canted Yoke Design, Spring to Close Models 1.5C-1100-70-CL to 14C-8300-200-CL.....	25
Section 13: OLGAS-H Spring-Return Hydraulic Actuator	
Output Torques (Nm) - Canted Yoke Design, Spring to Close Models 18C-9600-145-CL to 50C-15600-300-CL.....	29

Section 14: OLGAS-H Spring-Return Hydraulic Actuator	
Output Torques (Nm) - Canted Yoke Design, Spring to Open Models 0.3C-008A-20-OP to 0.9C-0700-85-OP	33
Section 15: OLGAS-H Spring-Return Hydraulic Actuator	
Output Torques (Nm) - Canted Yoke Design, Spring to Open Models 1.5C-1100-70-OP to 14C-8300-200-OP	37
Section 16: OLGAS-H Spring-Return Hydraulic Actuator	
Output Torques (Nm) - Symmetric Yoke Design, Spring to Open Models 18C-9600-145-OP to 50C-15600-300-OP	41
Section 17: OLGAS-H Spring-Return Hydraulic Actuator	
Output Torques (Nm) - Symmetric Yoke Design, Spring to Close Models 0.3S-008A-20-CL to 0.9S-0700-85-CL	45
Section 18: OLGAS-H Spring-Return Hydraulic Actuator	
Output Torques (Nm) - Symmetric Yoke Design, Spring to Close Models 1.5S-1100-70-CL to 14S-8300-200-CL	49
Section 19: OLGAS-H Spring-Return Hydraulic Actuator	
Output Torques (Nm) - Symmetric Yoke Design, Spring to Close Models 18S-9600-145-CL to 50S-15600-300-CL.....	53
Section 20: OLGAS-H Spring-Return Hydraulic Actuator	
Output Torques (Nm) - Symmetric Yoke Design, Spring to Open Models 0.3S-008A-20-OP to 0.9S-0700-85-OP	57
Section 21: OLGAS-H Spring-Return Hydraulic Actuator	
Output Torques (Nm) - Symmetric Yoke Design, Spring to Open Models 1.5S-1100-70-OP to 14S-8300-200-OP	61
Section 22: OLGAS-H Spring-Return Hydraulic Actuator	
Output Torques (Nm) - Symmetric Yoke Design, Spring to Open Models 18S-9600-145-OP to 50S-15600-300-OP	65
Section 23: OLGA-H Double-Acting Hydraulic Actuator	
Overall Dimensions - Models 0.3-28 to 1.5-95	69
Section 24: OLGA-H Double-Acting Hydraulic Actuator	
Overall Dimensions - Models 3-60 to 6-125	70
Section 25: OLGA-H Double-Acting Hydraulic Actuator	
Overall Dimensions - Models 14-85 to 80-200	71

Section 26: OLGAS-H Spring-Return Hydraulic Actuator	
Overall Dimensions - Spring to Close, Models 0.3-008A-20-CL to 0.3-0150-60-CL	72
Section 27: OLGAS-H Spring-Return Hydraulic Actuator	
Overall Dimensions - Spring to Close, Models 0.9-0200-40-CL to 3-2000-110-CL.....	73
Section 28: OLGAS-H Spring-Return Hydraulic Actuator	
Overall Dimensions - Spring to Close, Models 6-2500-85-CL to 14-8300-200-CL.....	74
Section 29: OLGAS-H Spring-Return Hydraulic Actuator	
Overall Dimensions - Spring to Close, Models 18-9600-145-CL to 50-15600-300-CL	75
Section 30: OLGAS-H Spring-Return Hydraulic Actuator	
Overall Dimensions - Spring to Open, Models 0.3-008A-20-OP to 0.3-0150-60-OP.....	76
Section 31: OLGAS-H Spring-Return Hydraulic Actuator	
Overall Dimensions - Spring to Open, Models 0.9-0200-40-OP to 3-2000-110-OP	77
Section 32: OLGAS-H Spring-Return Hydraulic Actuator	
Overall Dimensions - Spring to Open, Models 6-2500-85-OP to 14-8300-200-OP	78
Section 33: OLGAS-H Spring-Return Hydraulic Actuator	
Overall Dimensions - Spring to Open, Models 18-9600-145-OP TO 50-15600-300-OP.....	79
Section 34: OLGAS-H Spring-Return Hydraulic Actuator	
Overall Dimensions - Spring to Open, Models 6-2500-85-OP to 14-8300-200-OP	80
Section 35: OLGAS-H Spring-Return Hydraulic Actuator	
Overall Dimensions - Spring to Open, Models 18-9600-145-OP to 50-15600-300-OP	81
Section 36: OLGA-H/OLGAS-H/OLGAS-H-QA Hydraulic Actuator	
Mounting Dimensions	82
Stem Acceptance.....	86
Section 37: OLGA-H/OLGAS-H/OLGAS-H-QA Hydraulic Actuator	
Accessories Mounting Dimensions	87
Accessories Mounting Holes on Actuator Top (Cover and Yoke)	88
Section 38: OLGA-H/OLGAS-H/OLGAS-H-QA Hydraulic Actuator	
Selection Guide	89

This page intentionally left blank.

General Application

OLGA-H and OLGAS-H series hydraulic actuators are designed for the control of quarter turn ball, butterfly, plug or damper style valves.

Technical Data

Design Pressure (MAWP)

OLGA-H/OLGAS-H

With standard CS: 352 barg maximum (based on actuator model, please contact the factory to receive confirmation)

With optional SS: Please contact the factory

OLGAS-H-QA: Contact factory

MOP

With standard CS tie rods: Refer to torque table

With optional SS: Please contact the factory

Supply medium: Hydraulic oil, special versions for fire resistant fluids

Output Torque

OLGA-H: Double-Acting torque up to 750,000 Nm

OLGAS-H/QA: Spring starting torque up to 335,000 Nm

Spring ending torque up to 235,000 Nm

Higher values available with special versions

Ambient Temperature

Standard range: -20 to +100 °C / -4 to +210 °F

Extended range: -60 to +100 °C / -70 °F to +210 °F

MAWP: Maximum Allowable Working Pressure is the pressure defined for the design of the actuator pressure containing parts.

MOP: Maximum Operating Pressure is pressure that generates the torque used to engineer the mechanical loaded parts of the actuator and it is the one required to produce the Maximum Operating Torque (MOT) of the actuator.

Features

- Totally enclosed, weatherproof housing in fabricated carbon steel for maximum strength.
- Guide bar resists transverse loads and supports the piston rod.
- Hard chromium plated alloy steel material guarantees corrosion protection and minimal friction.
- Polytetrafluoroethylene (PTFE)-impregnated bronze or sintered bronze bushings provide minimal friction and extended service life.
- Scotch yoke design with canted or symmetric torque arm allows close working to distinctive valve torque profiles.
- External travel stops for precise angular stroke adjustment 90° +/- 4° at each end of travel.
- Electroless nickel plated and polished cylinder provides maximum corrosion resistance and reduces friction.
- Triple-element piston seals provide low friction, high sensitivity, ensure long life and prevent sticking problems.
- OLGAS-H fully encapsulated spring-return pack ensures personnel safety and simplifies assembly.
- OLGAS-H modular design enables spring action to be changed in the field easily.
- OLGAS-H QA is the quick-acting spring-return hydraulic and electro-hydraulic actuators with high flow rate manifold and cylinder, integral quick exhaust valves, and end-of-stroke damper systems, designed by Biffi.
- OLGAS-H QA achieves “safe” position in less than 0.3 second. This configuration can be provided with a double camber option and the name will add the suffix DC at the end.

Approvals

Safety Integrity Level:
(IEC 61508-1÷7:2010)

Suitable for use in
SIL3 applications

Area Classification
(ATEX)

Ex II 2GD

Enclosure Standards
(IEC 60529)
(ANSI/NEMA 250)

IP66, IP66M, IP67M
NEMA 4, 4X, 6

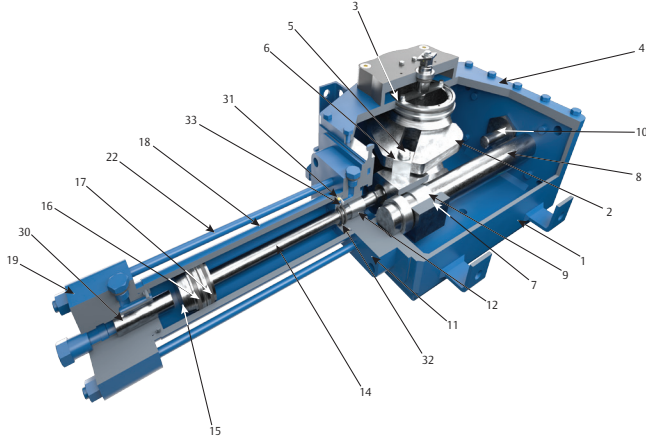
Pressure Equipment Directive:

2014/68/CE

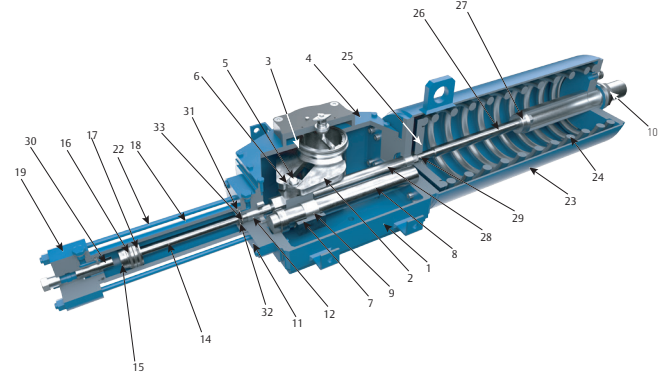
Machinery Directive:

2006/42/EC

OLGA-H Double-Acting



OLGAS-H Spring-Return



Materials

Part	Material	
1	Housing	Carbon steel
2	Yoke	Carbon steel
3	Yoke bushing	Bronze
4	Cover	Carbon steel
5	Guide block pin	Alloy steel
6	Sliding block	Bronze
7	Guide block	Carbon steel
8	Guide bar	Alloy steel (hard chrome plated)
9	Guide block bushing	Steel + bronze + PTFE
10	Travel stop screw	Carbon steel
11	Cylinder head flange	Carbon steel
12	Piston rod bushing	Steel + bronze + PTFE
13	Piston rod seal	NBR rubber
14	Piston rod	Alloy steel (hard chrome plated)
15	Piston	Carbon steel
16	Piston guide sliding ring	PTFE + graphite
17	Piston seal O-ring	PTFE + NBR rubber

Part	Material	
18	Cylinder tube	Carbon steel (ENP)
19	Cylinder end flange	Carbon steel
20	Cylinder seal O-ring	NBR rubber
21	Sealing washer	PVC
22	Tie rod	Alloy steel
23	Spring container	Carbon steel
24	Spring	Carbon steel
25	Spring thrust flange	Carbon steel
26	Guide rod	Alloy steel (hard chrome plated)
27	Guide rod bushing	Steel + bronze + PTFE
28	Container rod	Alloy steel (hard chrome plated)
29	Container rod bushing	Steel + bronze + PTFE
30	Stop setting screw	Carbon steel
31	Back-up ring	NBR rubber
32	Piston rod seal ring	PTFE + graphite + NBR
33	O-ring	NBR rubber

OLGA-H Double-Acting Hydraulic Actuator

Output Torques (Nm) - Canted Yoke Design, Models 0.3C-28 to 1.5C-95

Model	MOP* (barg)	Position	Operating supply pressure (barg)																							
			80		100		120		140		150		160		170		180		200		220		240		MOT@MOP	
			OP	CL	OP	CL	OP	CL	OP	CL	OP	CL	OP	CL	OP	CL	OP	CL	OP	CL	OP	CL	OP	CL	OP	CL
0.3C-28	325	0°	724	537	908	674	1092	812	1275	949	1367	1018	1459	1087	1551	1155	1643	1224	1827	1361	2011	1499	2195	1636	2976	2220
		45°	283	189	355	237	426	286	498	334	534	358	570	383	606	407	642	431	714	480	786	528	858	576	1163	782
		90°	408	262	511	329	615	396	719	463	770	497	822	530	874	564	926	597	1030	664	1133	732	1237	799	1677	1084
0.3C-35	205	0°	1136	845	1424	1059	1711	1274	1998	1489	2142	1596	2285	1704	2429	1811	2573	1918	2860	2133	-	-	-	-	2932	2187
		45°	444	297	556	373	668	449	781	524	837	562	893	600	949	638	1005	676	1118	752	-	-	-	-	1146	770
		90°	640	412	802	517	964	622	1126	727	1207	779	1288	832	1369	884	1450	936	1612	1041	-	-	-	-	1652	1067
0.3C-45	125	0°	1882	1673	2357	2096	2832	2519	-	-	-	-	-	-	-	-	-	-	-	-	-	-	-	-	2951	2624
		45°	736	589	921	738	1107	887	-	-	-	-	-	-	-	-	-	-	-	-	-	-	-	-	1153	925
		90°	1061	816	1328	1023	1596	1229	-	-	-	-	-	-	-	-	-	-	-	-	-	-	-	-	1663	1281
0.3C-50	100	0°	2327	2166	2913	2713	-	-	-	-	-	-	-	-	-	-	-	-	-	-	-	-	-	-	2913	2713
		45°	909	763	1138	956	-	-	-	-	-	-	-	-	-	-	-	-	-	-	-	-	-	-	1138	956
		90°	1311	1057	1642	1324	-	-	-	-	-	-	-	-	-	-	-	-	-	-	-	-	-	-	1642	1324
0.3C-60	70	0°	-	-	-	-	-	-	-	-	-	-	-	-	-	-	-	-	-	-	-	-	-	-	2937	2691
		45°	-	-	-	-	-	-	-	-	-	-	-	-	-	-	-	-	-	-	-	-	-	-	1148	948
		90°	-	-	-	-	-	-	-	-	-	-	-	-	-	-	-	-	-	-	-	-	-	-	1655	1313
0.9C-45	325	0°	2177	1934	2726	2423	3275	2912	3824	3401	4099	3646	4373	3890	4648	4135	4922	4379	5471	4868	6020	5357	6569	5846	8903	7925
		45°	851	681	1065	854	1280	1026	1494	1199	1602	1285	1709	1371	1816	1457	1924	1543	2138	1716	2353	1888	2568	2060	3480	2793
		90°	1227	944	1536	1183	1846	1422	2155	1660	2310	1780	2465	1899	2619	2019	2774	2138	3084	2377	3393	2615	3703	2854	5018	3869
0.9C-50	265	0°	2691	2505	3369	3137	4047	3769	4724	4401	5063	4717	5402	5033	5741	5349	6080	5665	6758	6296	7436	6928	8114	7560	8961	8350
		45°	1051	883	1316	1105	1581	1328	1846	1551	1979	1662	2111	1774	2244	1885	2376	1996	2641	2219	2906	2442	3171	2664	3503	2943
		90°	1516	1223	1898	1531	2281	1840	2663	2148	2854	2303	3045	2457	3236	2611	3427	2765	3809	3074	4191	3383	4573	3691	5051	4077
0.9C-60	180	0°	3885	3559	4861	4454	5837	5349	6813	6245	7301	6692	7789	7140	8277	7588	8766	8035	-	-	-	-	-	-	8766	8035
		45°	1518	1254	1900	1570	2281	1885	2663	2201	2854	2359	3044	2516	3235	2674	3426	2832	-	-	-	-	-	-	3426	2832
		90°	2189	1737	2740	2174	3290	2612	3840	3049	4115	3267	4390	3486	4665	3704	4940	3923	-	-	-	-	-	-	4940	3923

NOTES:
MOT = Maximum Operating Torque
*MOP = Maximum Operating Pressure (barg)

Model	MOP* (barg)	Position	Operating supply pressure (barg)																								
			80		100		120		140		150		160		170		180		200		220		240		MOT@MOP		
			OP	CL	OP	CL	OP	CL	OP	CL	OP	CL	OP	CL	OP	CL	OP	CL	OP	CL	OP	CL	OP	CL	OP	CL	
0.9C-70	135	0°	5294	4792	6623	5996	7952	7200	-	-	-	-	-	-	-	-	-	-	-	-	-	-	-	-	8948	8103	
		45°	2069	1689	2589	2113	3108	2537	-	-	-	-	-	-	-	-	-	-	-	-	-	-	-	-	-	3497	2856
		90°	2984	2340	3733	2927	4482	3515	-	-	-	-	-	-	-	-	-	-	-	-	-	-	-	-	-	5043	3956
0.9C-85	90	0°	7807	6738	-	-	-	-	-	-	-	-	-	-	-	-	-	-	-	-	-	-	-	-	8786	7584	
		45°	3051	2375	-	-	-	-	-	-	-	-	-	-	-	-	-	-	-	-	-	-	-	-	-	3434	2673
		90°	4400	3289	-	-	-	-	-	-	-	-	-	-	-	-	-	-	-	-	-	-	-	-	-	4952	3703
1.5C-50	350	0°	3403	3167	4260	3967	5117	4766	5974	5565	6403	5964	6832	6364	7260	6764	7689	7163	8546	7962	9403	8761	10261	9561	14975	13956	
		45°	1330	1116	1665	1398	2000	1679	2335	1961	2503	2102	2670	2243	2838	2384	3005	2524	3340	2806	3675	3088	4010	3369	5853	4919	
		90°	1918	1546	2401	1936	2884	2327	3367	2717	3609	2912	3850	3107	4092	3302	4333	3497	4817	3887	5300	4277	5783	4668	8440	6814	
1.5C-60	240	0°	4912	4501	6147	5633	7381	6765	8616	7897	9233	8463	9850	9029	10467	9595	11085	10161	12319	11293	13553	12425	14788	13557	14788	13557	
		45°	1920	1586	2402	1985	2885	2384	3367	2783	3609	2983	3850	3182	4091	3382	4333	3581	4815	3980	5298	4379	5780	4778	5780	4778	
		90°	2769	2197	3464	2750	4160	3303	4856	3855	5204	4132	5552	4408	5900	4684	6247	4961	6943	5514	7639	6066	8335	6619	8335	6619	
1.5C-70	175	0°	6695	6060	8375	7582	10055	9104	11735	10627	12576	11388	13416	12149	14256	12910	-	-	-	-	-	-	-	-	-	14676	13290
		45°	2617	2136	3273	2672	3930	3209	4587	3745	4915	4013	5244	4282	5572	4550	-	-	-	-	-	-	-	-	-	5736	4684
		90°	3773	2959	4720	3702	5667	4445	6614	5188	7088	5560	7561	5931	8035	6303	-	-	-	-	-	-	-	-	-	8272	6489
1.5C-85	120	0°	9872	8520	12349	10661	14827	12801	-	-	-	-	-	-	-	-	-	-	-	-	-	-	-	-	14827	12801	
		45°	3859	3003	4827	3757	5795	4512	-	-	-	-	-	-	-	-	-	-	-	-	-	-	-	-	-	5795	4512
		90°	5564	4160	6960	5205	8357	6250	-	-	-	-	-	-	-	-	-	-	-	-	-	-	-	-	-	8357	6250
1.5C-95	95	0°	12331	11250	-	-	-	-	-	-	-	-	-	-	-	-	-	-	-	-	-	-	-	-	14652	13369	
		45°	4820	3965	-	-	-	-	-	-	-	-	-	-	-	-	-	-	-	-	-	-	-	-	-	5727	4712
		90°	6950	5492	-	-	-	-	-	-	-	-	-	-	-	-	-	-	-	-	-	-	-	-	-	8258	6527

NOTES:

MOT = Max Operating Torque

*MOP = Maximum Operating Pressure (barg)

OLGA-H Double-Acting Hydraulic Actuator

Output Torques (Nm) - Canted Yoke Design, Models 3C-60 to 6C-125

Model	MOP* (barg)	Position	Operating supply pressure (barg)																									
			80		100		120		140		150		160		170		180		200		220		240		MOT@MOP			
			OP	CL	OP	CL	OP	CL	OP	CL	OP	CL	OP	CL	OP	CL	OP	CL	OP	CL	OP	CL	OP	CL	OP	CL		
3C-60	290	0°	8131	7449	10174	9323	12218	11197	14261	13071	15282	14008	16304	14945	17326	15882	18347	16819	20390	18692	22433	20566	24477	22440	29584	27125		
		45°	3178	2625	3977	3286	4775	3946	5574	4607	5973	4937	6373	5267	6772	5597	7171	5928	7970	6588	8769	7249	9567	7909	11564	9560		
		90°	4583	3637	5734	4552	6886	5467	8038	6382	8613	6839	9189	7296	9765	7754	10341	8211	11492	9126	12644	10041	13796	10956	16675	13243		
3C-70	215	0°	11082	10031	13863	12550	16644	15070	19425	17589	20815	18849	22206	20109	23596	21368	24987	22628	27767	25147	-	-	-	-	29853	27037		
		45°	4331	3535	5418	4423	6506	5311	7593	6199	8136	6643	8680	7087	9223	7531	9767	7975	10854	8863	-	-	-	-	11669	9529		
		90°	6246	4897	7813	6127	9381	7357	10948	8588	11732	9203	12516	9818	13299	10433	14083	11048	15651	12278	-	-	-	-	16826	13200		
3C-85	145	0°	16340	14103	20441	17646	24541	21189	28642	24732	-	-	-	-	-	-	-	-	-	-	-	-	-	-	-	-	29667	25618
		45°	6387	4971	7990	6219	9593	7468	11195	8717	-	-	-	-	-	-	-	-	-	-	-	-	-	-	-	-	11596	9029
		90°	9210	6885	11521	8615	13832	10345	16143	12075	-	-	-	-	-	-	-	-	-	-	-	-	-	-	-	-	16721	12507
3C-90	130	0°	18319	16299	22916	20393	27513	24487	-	-	-	-	-	-	-	-	-	-	-	-	-	-	-	-	-	-	29812	26534
		45°	7160	5745	8957	7188	10754	8631	-	-	-	-	-	-	-	-	-	-	-	-	-	-	-	-	-	-	11653	9352
		90°	10325	7958	12916	9957	15507	11956	-	-	-	-	-	-	-	-	-	-	-	-	-	-	-	-	-	-	16803	12955
3C-95	115	0°	20411	18621	25533	23298	-	-	-	-	-	-	-	-	-	-	-	-	-	-	-	-	-	-	-	-	29375	26805
		45°	7978	6563	9980	8211	-	-	-	-	-	-	-	-	-	-	-	-	-	-	-	-	-	-	-	-	11482	9448
		90°	11504	9091	14391	11375	-	-	-	-	-	-	-	-	-	-	-	-	-	-	-	-	-	-	-	-	16556	13087
3C-110	85	0°	27400	24110	-	-	-	-	-	-	-	-	-	-	-	-	-	-	-	-	-	-	-	-	-	-	29117	25621
		45°	10710	8498	-	-	-	-	-	-	-	-	-	-	-	-	-	-	-	-	-	-	-	-	-	-	11381	9030
		90°	15443	11771	-	-	-	-	-	-	-	-	-	-	-	-	-	-	-	-	-	-	-	-	-	-	16411	12509
6C-70	350	0°	12956	11727	16207	14673	19458	17618	22709	20564	24335	22036	25961	23509	27586	24982	29212	26454	32463	29400	35714	32345	38965	35291	56847	51491		
		45°	5064	4133	6335	5171	7606	6210	8877	7248	9512	7767	10147	8286	10783	8805	11418	9324	12689	10362	13960	11400	15231	12439	22221	18149		
		90°	7302	5725	9135	7164	10967	8602	12800	10040	13716	10759	14632	11478	15548	12197	16465	12916	18297	14354	20130	15792	21962	17230	32041	25140		
6C-85	250	0°	19103	16488	23897	20630	28691	24772	33485	28914	35882	30985	38279	33056	40676	35127	43073	37198	47867	41340	52660	45482	57454	49624	59851	51695		
		45°	7467	5811	9341	7271	11215	8731	13089	10191	14026	10921	14962	11651	15899	12381	16836	13111	18710	14571	20584	16031	22458	17491	23395	18221		
		90°	10767	8050	13469	10072	16171	12094	18873	14117	20224	15128	21575	16139	22926	17150	24277	18161	26979	20184	29681	22206	32383	24228	33734	25240		

NOTES:
MOT = Maximum Operating Torque
*MOP = Maximum Operating Pressure (barg)

Model	MOP* (barg)	Position	Operating supply pressure (barg)																									
			80		100		120		140		150		160		170		180		200		220		240		MOT@MOP			
			OP	CL	OP	CL	OP	CL	OP	CL	OP	CL	OP	CL	OP	CL	OP	CL	OP	CL	OP	CL	OP	CL	OP	CL		
6C-90	220	0°	21417	19055	26791	23842	32166	28628	37540	33415	40227	35808	42915	38201	45602	40594	48289	42987	53664	47774	59038	52560	-	-	59038	52560		
		45°	8371	6716	10472	8403	12573	10090	14674	11777	15724	12621	16775	13464	17825	14308	18875	15151	20976	16838	23077	18525	-	-	23077	18525		
		90°	12071	9303	15100	11640	18130	13977	21159	16314	22673	17483	24188	18651	25703	19819	27217	20988	30247	23325	33276	25662	-	-	33276	25662		
6C-95	200	0°	23863	21770	29851	27237	35839	32705	41827	38172	44821	40906	47815	43640	50810	46374	53804	49107	59792	54575	-	-	-	-	59792	54575		
		45°	9327	7673	11668	9600	14009	11527	16350	13454	17520	14418	18690	15381	19861	16345	21031	17308	23372	19236	-	-	-	-	23372	19236		
		90°	13450	10629	16825	13298	20200	15968	23575	18637	25263	19972	26950	21307	28638	22641	30326	23976	33701	26645	-	-	-	-	33701	26645		
6C-110	145	0°	32033	28187	40062	35256	48090	42325	56119	49394	-	-	-	-	-	-	-	-	-	-	-	-	-	-	-	-	58126	51161
		45°	12521	9935	15660	12426	18798	14918	21936	17410	-	-	-	-	-	-	-	-	-	-	-	-	-	-	-	-	22721	18032
		90°	18055	13762	22580	17213	27105	20665	31630	24116	-	-	-	-	-	-	-	-	-	-	-	-	-	-	-	-	32762	24979
6C-125	115	0°	41366	38544	51733	48208	-	-	-	-	-	-	-	-	-	-	-	-	-	-	-	-	-	-	-	-	59509	55457
		45°	16169	13585	20222	16992	-	-	-	-	-	-	-	-	-	-	-	-	-	-	-	-	-	-	-	-	23261	19546
		90°	23315	18818	29158	23537	-	-	-	-	-	-	-	-	-	-	-	-	-	-	-	-	-	-	-	-	33541	27076

NOTES:

MOT = Maximum Operating Torque

*MOP = Maximum Operating Pressure (barg)

OLGA-H Double-Acting Hydraulic Actuator

Output Torques (Nm) - Canted Yoke Design, Models 14C-85 to 80C-200

Model	MOP* (barg)	Position	Operating supply pressure (barg)																							
			80		100		120		140		150		160		170		180		200		220		240		MOT@MOP	
			OP	CL	OP	CL	OP	CL	OP	CL	OP	CL	OP	CL	OP	CL	OP	CL	OP	CL	OP	CL	OP	CL	OP	CL
14C-85	350	0°	20879	18021	26119	22548	31358	27075	36598	31602	39217	33865	41837	36129	44457	38393	47077	40656	52316	45183	57556	49710	62795	54237	91613	79136
		45°	8161	6351	10209	7947	12257	9543	14305	11138	15329	11936	16353	12734	17378	13532	18402	14330	20450	15925	22498	17521	24546	19117	35810	27893
		90°	11768	8798	14721	11008	17674	13219	20628	15429	22104	16534	23581	17639	25057	18745	26534	19850	29487	22060	32440	24270	35394	26481	51636	38637
14C-95	350	0°	26081	23794	32626	29769	39171	35745	45716	41721	48988	44709	52260	47697	55533	50685	58805	53672	65350	59648	71895	65624	78440	71600	114437	104466
		45°	10194	8386	12753	10492	15311	12599	17869	14705	19149	15758	20428	16811	21707	17864	22986	18918	25544	21024	28103	23130	30661	25236	44732	36821
		90°	14700	11617	18389	14534	22078	17452	25767	20370	27611	21828	29456	23287	31300	24746	33145	26205	36834	29122	40523	32040	44212	34958	64501	51005
14C-110	270	0°	35011	30807	43786	38533	52561	46260	61336	53986	65723	57849	70111	61712	74498	65575	78886	69438	87660	77165	96435	84891	105210	92617	118373	104206
		45°	13685	10858	17115	13581	20545	16305	23975	19028	25690	20390	27405	21751	29120	23113	30835	24474	34265	27198	37695	29921	41125	32644	46270	36729
		90°	19733	15041	24679	18813	29625	22586	34571	26358	37044	28244	39517	30130	41990	32016	44463	33902	49408	37675	54354	41447	59300	45219	66719	50878
14C-125	210	0°	45211	42127	56542	52690	67873	63253	79205	73816	84870	79098	90536	84380	96201	89661	101867	94943	113198	105506	-	-	-	-	118864	110788
		45°	17672	14848	22101	18571	26531	22294	30960	26018	33175	27879	35389	29741	37604	31602	39818	33464	44248	37187	-	-	-	-	46462	39049
		90°	25482	20568	31869	25725	38256	30883	44642	36040	47836	38619	51029	41197	54222	43776	57416	46355	63802	51512	-	-	-	-	66996	54091
14C-135	180	0°	52734	50476	65951	63132	79168	75787	92384	88443	98993	94771	105601	101099	112209	107427	118818	113755	-	-	-	-	-	-	118818	113755
		45°	20613	17791	25779	22252	30946	26712	36112	31173	38695	33403	41278	35634	43861	37864	46444	40095	-	-	-	-	-	-	46444	40095
		90°	29723	24644	37172	30823	44622	37002	52071	43181	55796	46271	59520	49360	63245	52450	66970	55539	-	-	-	-	-	-	66970	55539
14C-145	155	0°	60874	55968	76121	69992	91369	84016	106616	98040	114240	105052	-	-	-	-	-	-	-	-	-	-	-	-	118051	108558
		45°	23795	19727	29755	24670	35715	29613	41675	34556	44655	37027	-	-	-	-	-	-	-	-	-	-	-	-	46145	38263
		90°	34311	27326	42905	34173	51499	41020	60092	47867	64389	51291	-	-	-	-	-	-	-	-	-	-	-	-	66538	53002
14C-175	105	0°	88669	86815	110879	108566	-	-	-	-	-	-	-	-	-	-	-	-	-	-	-	-	-	-	116431	114003
		45°	34660	30599	43341	38266	-	-	-	-	-	-	-	-	-	-	-	-	-	-	-	-	-	-	45511	40182
		90°	49977	42387	62495	53006	-	-	-	-	-	-	-	-	-	-	-	-	-	-	-	-	-	-	65625	55661
14C-185	95	0°	99093	98383	-	-	-	-	-	-	-	-	-	-	-	-	-	-	-	-	-	-	-	-	117708	116869
		45°	38734	34677	-	-	-	-	-	-	-	-	-	-	-	-	-	-	-	-	-	-	-	-	46010	41192
		90°	55852	48034	-	-	-	-	-	-	-	-	-	-	-	-	-	-	-	-	-	-	-	-	66344	57060
14C-200	80	0°	115813	112754	-	-	-	-	-	-	-	-	-	-	-	-	-	-	-	-	-	-	-	-	115813	112754
		45°	45270	39742	-	-	-	-	-	-	-	-	-	-	-	-	-	-	-	-	-	-	-	-	45270	39742
		90°	65276	55051	-	-	-	-	-	-	-	-	-	-	-	-	-	-	-	-	-	-	-	-	65276	55051
18C-125	275	0°	51993	48446	65024	60593	78054	72741	91085	84889	97601	90963	104116	97037	110632	103110	117147	109184	130178	121332	143209	133480	156240	145627	179044	166886
		45°	20323	17075	25417	21357	30510	25639	35604	29920	38151	32061	40698	34202	43245	36343	45791	38484	50885	42765	55979	47047	61072	51329	69986	58822
		90°	29305	23653	36649	29584	43994	35515	51339	41446	55011	44411	58683	47377	62356	50343	66028	53308	73373	59239	80718	65170	88062	71101	100915	81480

NOTES:
MOT = Maximum Operating Torque
*MOP = Maximum Operating Pressure (barg)

Model	MOP* (barg)	Position	Operating supply pressure (barg)																							
			80		100		120		140		150		160		170		180		200		220		240		MOT@MOP	
			OP	CL	OP	CL	OP	CL	OP	CL	OP	CL	OP	CL	OP	CL	OP	CL	OP	CL	OP	CL	OP	CL	OP	CL
18C-145	205	0°	70005	64364	87540	80491	105074	96619	122608	112746	131376	120810	140143	128874	148910	136938	157677	145001	175211	161129	-	-	-	-	179595	165161
		45°	27364	22686	34218	28370	41072	34055	47926	39739	51353	42581	54780	45424	58207	48266	61634	51108	68488	56792	-	-	-	-	70202	58214
		90°	39457	31425	49340	39299	59223	47173	69106	55047	74048	58984	78989	62921	83931	66858	88872	70795	98755	78670	-	-	-	-	101226	80638
18C-175	140	0°	101970	99838	127510	124850	153051	149863	178591	174876	-	-	-	-	-	-	-	-	-	-	-	-	-	-	178591	174876
		45°	39859	35189	49842	44005	59826	52822	69809	61638	-	-	-	-	-	-	-	-	-	-	-	-	-	-	69809	61638
		90°	57474	48745	71869	60957	86265	73169	100661	85381	-	-	-	-	-	-	-	-	-	-	-	-	-	-	100661	85381
18C-185	125	0°	113957	113141	142499	141485	171042	169830	-	-	-	-	-	-	-	-	-	-	-	-	-	-	-	-	178178	176916
		45°	44544	39878	55701	49869	66859	59859	-	-	-	-	-	-	-	-	-	-	-	-	-	-	-	-	69648	62357
		90°	64230	55240	80318	69079	96406	82918	-	-	-	-	-	-	-	-	-	-	-	-	-	-	-	-	100427	86377
18C-200	105	0°	133185	129668	166544	162154	-	-	-	-	-	-	-	-	-	-	-	-	-	-	-	-	-	-	174884	170276
		45°	52061	45703	65100	57154	-	-	-	-	-	-	-	-	-	-	-	-	-	-	-	-	-	-	68360	60016
		90°	75068	63309	93870	79170	-	-	-	-	-	-	-	-	-	-	-	-	-	-	-	-	-	-	98571	83135
32C-145	270	0°	82180	75557	102764	94490	123348	113422	143932	132354	154224	141821	164515	151287	174807	160753	185099	170219	205683	189151	226267	208084	246851	227016	277726	255414
		45°	32123	26631	40169	33304	48215	39977	56261	46650	60284	49987	64307	53323	68330	56660	72353	59996	80399	66670	88445	73343	96491	80016	108560	90025
		90°	46320	36890	57921	46134	69523	55377	81125	64621	86926	69242	92727	73864	98528	78486	104329	83108	115930	92351	127532	101595	139134	110838	156537	124704
32C-175	200	0°	119704	117201	149686	146564	179669	175926	209651	205289	224642	219971	239633	234652	254624	249333	269616	264015	299598	293377	-	-	-	-	299598	293377
		45°	46791	41309	58511	51659	70230	62008	81950	72358	87810	77532	93670	82707	99530	87882	105390	93056	117110	103406	-	-	-	-	117110	103406
		90°	67469	57222	84368	71558	101268	85894	118167	100230	126616	107398	135066	114567	143516	121735	151965	128903	168864	143239	-	-	-	-	168864	143239
32C-200	160	0°	156348	152219	195509	190355	234669	228491	273830	266627	293410	285695	-	-	-	-	-	-	-	-	-	-	-	-	-	-
		45°	61115	53652	76422	67094	91730	80536	107037	93977	114691	100698	-	-	-	-	-	-	-	-	-	-	-	-	-	-
		90°	88123	74319	110196	92939	132268	111559	154340	130178	165377	139488	-	-	-	-	-	-	-	-	-	-	-	-	-	-
50C-175	270	0°	133004	130223	166318	162849	199632	195474	232946	228099	249602	244412	266259	260724	282916	277037	299573	293350	332887	325975	366200	358600	399514	391225	449485	440163
		45°	51990	45899	65012	57399	78034	68898	91056	80397	97567	86147	104078	91897	110589	97646	117100	103396	130122	114895	143144	126395	156166	137894	175699	155143
		90°	74966	63580	93743	79509	112520	95438	131296	111367	140685	119332	150073	127296	159462	135261	168850	143225	187627	159154	206404	175083	225181	191012	253346	214906
50C-200	205	0°	173720	169132	217232	211505	260744	253879	304256	296253	326011	317439	347767	338626	369523	359813	391279	381000	434791	423374	-	-	-	-	445669	433967
		45°	67905	59613	84914	74549	101922	89484	118930	104419	127434	111887	135939	119355	144443	126822	152947	134290	169955	149225	-	-	-	-	174207	152959
		90°	97915	82577	122440	103265	146965	123954	171489	144643	183752	154987	196014	165331	208277	175675	220539	186020	245064	206708	-	-	-	-	251195	211880
80C-200	290	0°	202674	188870	253437	236193	304201	283516	354965	330840	380347	354501	405729	378163	431110	401825	456492	425486	507256	472809	558020	520133	608784	567456	735693	685764
		45°	79223	66570	99066	83250	118909	99930	138752	116610	148674	124950	158595	133290	168517	141630	178438	149970	198281	166650	218124	183330	237967	200010	287575	241710
		90°	114234	92214	142846	115319	171459	138424	200071	161529	214377	173082	228683	184635	242990	196187	257296	207740	285908	230845	314520	253950	343133	277055	414663	334818

NOTES:
MOT = Maximum Operating Torque
*MOP = Maximum Operating Pressure (barg)

OLGA-H Double-Acting Hydraulic Actuator

Output Torques (Nm) - Symmetric Yoke Design, Models 0.3S-28 to 1.5S-95

Model	MOP* (barg)	Position	Operating supply pressure (barg)																							
			80		100		120		140		150		160		170		180		200		220		240		MOT@MOP	
			OP	CL	OP	CL	OP	CL	OP	CL	OP	CL	OP	CL	OP	CL	OP	CL	OP	CL	OP	CL	OP	CL	OP	CL
0.3S-28	350	0°	454	340	570	427	685	514	800	601	858	645	916	689	973	732	1031	776	1147	863	1262	950	1377	1037	2012	1516
		45°	288	193	361	242	434	291	507	341	544	365	581	390	617	415	654	439	727	489	800	538	873	587	1276	859
		90°	519	316	651	396	783	477	915	558	981	599	1047	639	1113	679	1179	720	1311	801	1443	881	1575	962	2301	1407
0.3S-35	290	0°	713	535	893	671	1074	808	1254	944	1344	1012	1434	1080	1524	1148	1615	1216	1795	1352	1975	1488	2155	1624	2606	1964
		45°	452	303	566	380	681	457	795	534	852	573	909	611	966	650	1024	689	1138	766	1252	843	1367	920	1653	1113
		90°	816	497	1022	623	1228	749	1434	876	1537	939	1640	1002	1744	1065	1847	1128	2053	1255	2259	1381	2465	1507	2981	1823
0.3S-45	175	0°	1181	1060	1479	1328	1777	1596	2075	1864	2224	1998	2374	2132	2523	2266	-	-	-	-	-	-	-	-	2597	2333
		45°	749	600	938	752	1127	904	1316	1056	1410	1132	1505	1208	1599	1284	-	-	-	-	-	-	-	-	1647	1322
		90°	1351	984	1692	1233	2033	1481	2374	1730	2544	1854	2715	1979	2885	2103	-	-	-	-	-	-	-	-	2970	2165
0.3S-50	140	0°	1460	1373	1828	1719	2196	2066	2564	2412	-	-	-	-	-	-	-	-	-	-	-	-	-	-	2564	2412
		45°	926	778	1159	974	1393	1170	1626	1366	-	-	-	-	-	-	-	-	-	-	-	-	-	-	1626	1366
		90°	1670	1274	2091	1595	2512	1917	2933	2238	-	-	-	-	-	-	-	-	-	-	-	-	-	-	2933	2238
0.3S-60	95	0°	2108	1951	-	-	-	-	-	-	-	-	-	-	-	-	-	-	-	-	-	-	-	-	2506	2319
		45°	1337	1105	-	-	-	-	-	-	-	-	-	-	-	-	-	-	-	-	-	-	-	-	1589	1314
		90°	2411	1810	-	-	-	-	-	-	-	-	-	-	-	-	-	-	-	-	-	-	-	-	2866	2152
0.9S-45	350	0°	1366	1226	1711	1536	2055	1846	2400	2156	2572	2311	2745	2466	2917	2621	3089	2776	3434	3086	3779	3396	4123	3706	6019	5411
		45°	866	694	1085	870	1303	1046	1522	1221	1631	1309	1740	1397	1849	1485	1959	1572	2177	1748	2396	1924	2614	2099	3816	3065
		90°	1562	1138	1957	1425	2351	1713	2745	2001	2942	2144	3139	2288	3336	2432	3533	2576	3927	2864	4322	3151	4716	3439	6884	5021
0.9S-50	350	0°	1689	1588	2114	1988	2540	2389	2965	2789	3178	2990	3391	3190	3603	3390	3816	3590	4242	3991	4667	4392	5093	4792	7433	6995
		45°	1071	899	1340	1126	1610	1353	1880	1580	2015	1694	2150	1807	2285	1920	2420	2034	2689	2261	2959	2488	3229	2715	4713	3963
		90°	1931	1473	2418	1845	2905	2217	3391	2588	3635	2774	3878	2960	4121	3146	4365	3332	4851	3704	5338	4075	5824	4447	8501	6492
0.9S-60	255	0°	2438	2256	3051	2823	3663	3391	4276	3958	4582	4242	4889	4526	5195	4809	5502	5093	6114	5661	6727	6228	7340	6796	7799	7221
		45°	1546	1278	1934	1599	2323	1921	2711	2242	2906	2403	3100	2564	3294	2725	3488	2885	3877	3207	4265	3528	4654	3850	4945	4091
		90°	2788	2093	3489	2620	4190	3147	4891	3673	5241	3937	5591	4200	5942	4463	6292	4727	6993	5253	7694	5780	8394	6306	8920	6701
0.9S-70	215	0°	3323	3038	4157	3801	4991	4564	5825	5327	6242	5708	6659	6090	7076	6471	7493	6853	-	-	-	-	-	-	7493	6853
		45°	2107	1721	2636	2153	3165	2585	3693	3018	3958	3234	4222	3450	4487	3666	4751	3882	-	-	-	-	-	-	4751	3882
		90°	3800	2819	4754	3527	5708	4235	6662	4943	7139	5297	7616	5651	8092	6005	8569	6359	-	-	-	-	-	-	8569	6359
0.9S-85	125	0°	4900	4271	6129	5344	7359	6417	-	-	-	-	-	-	-	-	-	-	-	-	-	-	-	-	7666	6685
		45°	3107	2419	3887	3027	4666	3635	-	-	-	-	-	-	-	-	-	-	-	-	-	-	-	-	4861	3787
		90°	5604	3963	7010	4959	8417	5955	-	-	-	-	-	-	-	-	-	-	-	-	-	-	-	-	8768	6204

NOTES:
MOT = Maximum Operating Torque
*MOP = Maximum Operating Pressure (barg)

Model	MOP* (barg)	Position	Operating supply pressure (barg)																											
			80		100		120		140		150		160		170		180		200		220		240		MOT@MOP					
			OP	CL	OP	CL	OP	CL	OP	CL	OP	CL	OP	CL	OP	CL	OP	CL	OP	CL	OP	CL	OP	CL	OP	CL				
1.5S-50	350	0°	2317	2178	2900	2728	3484	3277	4068	3827	4360	4101	4652	4376	4943	4651	5235	4926	5819	5475	6403	6025	6986	6574	10197	9597				
		45°	1355	1134	1697	1420	2038	1706	2380	1992	2550	2135	2721	2278	2892	2421	3062	2564	3404	2850	3745	3137	4087	3423	5965	4996				
		90°	2235	1705	2798	2135	3361	2565	3925	2996	4206	3211	4488	3426	4769	3641	5051	3856	5614	4286	6177	4716	6740	5146	9838	7513				
1.5S-60	350	0°	3345	3095	4185	3873	5026	4652	5866	5430	6287	5819	6707	6209	7127	6598	7547	6987	8388	7766	9228	8544	10069	9323	14692	13605				
		45°	1956	1611	2448	2016	2940	2422	3432	2827	3677	3030	3923	3232	4169	3435	4415	3638	4907	4043	5398	4448	5890	4854	8595	7083				
		90°	3227	2423	4038	3032	4849	3641	5660	4251	6065	4556	6471	4860	6876	5165	7282	5470	8093	6079	8904	6689	9714	7298	14175	10650				
1.5S-70	260	0°	4559	4167	5703	5214	6847	6261	7991	7307	8563	7831	9135	8354	9707	8877	10279	9401	11423	10448	12567	11494	13711	12541	14855	13588				
		45°	2667	2169	3336	2714	4005	3259	4674	3804	5009	4077	5344	4349	5678	4622	6013	4894	6682	5439	7351	5984	8021	6529	8690	7074				
		90°	4398	3262	5502	4082	6606	4901	7709	5720	8261	6130	8813	6540	9365	6950	9917	7359	11021	8179	12124	8998	13228	9818	14332	10637				
1.5S-85	175	0°	6722	5859	8409	7331	10095	8803	11782	10275	12626	11011	13469	11747	14313	12483	-	-	-	-	-	-	-	-	-	-	14734	12851		
		45°	3932	3050	4919	3817	5906	4583	6893	5349	7386	5733	7879	6116	8373	6499	-	-	-	-	-	-	-	-	-	-	-	8619	6691	
		90°	6485	4587	8113	5739	9740	6891	11368	8043	12181	8620	12995	9196	13809	9772	-	-	-	-	-	-	-	-	-	-	-	14216	10060	
1.5S-95	140	0°	8396	7736	10504	9679	12611	11622	14718	13565	-	-	-	-	-	-	-	-	-	-	-	-	-	-	-	-	-	14718	13565	
		45°	4912	4028	6144	5039	7377	6051	8610	7062	-	-	-	-	-	-	-	-	-	-	-	-	-	-	-	-	-	-	8610	7062
		90°	8101	6056	10134	7577	12167	9098	14200	10619	-	-	-	-	-	-	-	-	-	-	-	-	-	-	-	-	-	-	14200	10619

NOTES:

MOT = Maximum Operating Torque

*MOP = Maximum Operating Pressure (barg)

OLGA-H Double-Acting Hydraulic Actuator

Output Torques (Nm) - Symmetric Yoke Design, Models 3S-60 to 6S-125

Model	MOP* (barg)	Position	Operating supply pressure (barg)																							
			80		100		120		140		150		160		170		180		200		220		240		MOT@MOP	
			OP	CL	OP	CL	OP	CL	OP	CL	OP	CL	OP	CL	OP	CL	OP	CL	OP	CL	OP	CL	OP	CL	OP	CL
3S-60	350	0°	5464	5056	6837	6328	8210	7599	9584	8871	10270	9507	10957	10143	11643	10779	12330	11415	13703	12686	15076	13958	16449	15230	24001	22225
		45°	3240	2670	4054	3342	4869	4013	5683	4685	6090	5021	6497	5357	6904	5692	7311	6028	8125	6700	8940	7372	9754	8043	14232	11738
		90°	5424	4072	6787	5096	8150	6121	9513	7145	10195	7657	10876	8169	11558	8681	12239	9194	13602	10218	14965	11242	16328	12267	23824	17900
3S-70	320	0°	7447	6808	9316	8518	11185	10228	13054	11938	13988	12793	14923	13648	15857	14503	16792	15357	18660	17067	20529	18777	22398	20487	29874	27327
		45°	4416	3595	5524	4498	6632	5401	7741	6305	8295	6756	8849	7208	9403	7659	9957	8111	11065	9014	12174	9917	13282	10820	17715	14432
		90°	7392	5483	9247	6860	11103	8238	12958	9615	13885	10304	14813	10992	15741	11681	16668	12369	18523	13747	20378	15124	22234	16501	29654	22010
3S-85	215	0°	10981	9572	13737	11976	16492	14381	19248	16785	20626	17988	22004	19190	23381	20392	24759	21595	27515	23999	-	-	-	-	29582	25803
		45°	6511	5055	8145	6325	9780	7595	11414	8865	12231	9500	13048	10135	13865	10770	14682	11405	16316	12675	-	-	-	-	17542	13627
		90°	10900	7709	13636	9646	16371	11583	19106	13519	20474	14488	21842	15456	23209	16425	24577	17393	27313	19330	-	-	-	-	29364	20782
3S-90	190	0°	12311	11062	15400	13841	18490	16619	21579	19398	23124	20787	24668	22177	26213	23566	27758	24955	-	-	-	-	-	-	29303	26345
		45°	7300	5842	9132	7310	10964	8777	12796	10245	13712	10979	14628	11712	15544	12446	16460	13180	-	-	-	-	-	-	17376	13914
		90°	12220	8910	15287	11148	18354	13386	21420	15624	22954	16743	24487	17862	26020	18981	27554	20100	-	-	-	-	-	-	29087	21219
3S-95	170	0°	13717	12638	17159	15812	20601	18986	24043	22160	25764	23747	27486	25334	29207	26921	-	-	-	-	-	-	-	-	29207	26921
		45°	8134	6674	10175	8351	12216	10027	14257	11704	15278	12542	16299	13380	17319	14218	-	-	-	-	-	-	-	-	17319	14218
		90°	13616	10179	17033	12735	20450	15292	23867	17848	25575	19127	27283	20405	28992	21683	-	-	-	-	-	-	-	-	28992	21683
3S-110	130	0°	18413	16363	23029	20467	27644	24571	-	-	-	-	-	-	-	-	-	-	-	-	-	-	-	-	29951	26623
		45°	10919	8642	13656	10809	16392	12977	-	-	-	-	-	-	-	-	-	-	-	-	-	-	-	-	17761	14060
		90°	18278	13179	22859	16485	27440	19790	-	-	-	-	-	-	-	-	-	-	-	-	-	-	-	-	29731	21443
6S-70	350	0°	8691	7945	10872	9940	13053	11936	15234	13931	16324	14929	17415	15927	18505	16925	19596	17922	21777	19918	23958	21913	26139	23909	38135	34884
		45°	5163	4204	6459	5260	7754	6316	9050	7372	9698	7900	10346	8428	10994	8956	11641	9484	12937	10540	14233	11596	15529	12652	22655	18459
		90°	8660	6424	10834	8037	13007	9651	15180	11264	16267	12071	17353	12877	18440	13684	19527	14491	21700	16104	23873	17718	26047	19331	38000	28205
6S-85	350	0°	12815	11170	16031	13976	19247	16783	22463	19589	24071	20992	25678	22395	27286	23798	28894	25201	32110	28007	35326	30813	38542	33620	56229	49054
		45°	7613	5911	9523	7396	11434	8881	13344	10365	14300	11108	15255	11850	16210	12593	17165	13335	19076	14820	20986	16305	22897	17790	33405	25957
		90°	12770	9031	15974	11300	19179	13569	22383	15838	23986	16973	25588	18107	27190	19241	28792	20376	31997	22645	35201	24914	38406	27183	56031	39662

NOTES:
MOT = Maximum Operating Torque
*MOP = Maximum Operating Pressure (barg)

Model	MOP* (barg)	Position	Operating supply pressure (barg)																									
			80		100		120		140		150		160		170		180		200		220		240		MOT@MOP			
			OP	CL	OP	CL	OP	CL	OP	CL	OP	CL	OP	CL	OP	CL	OP	CL	OP	CL	OP	CL	OP	CL	OP	CL		
6S-90	330	0°	14367	12910	17972	16152	21578	19395	25183	22638	26986	24259	28788	25881	30591	27502	32394	29123	35999	32366	39604	35609	43210	38851	59434	53444		
		45°	8535	6831	10677	8547	12819	10263	14961	11979	16032	12837	17102	13695	18173	14553	19244	15411	21386	17127	23528	18843	25670	20559	35309	28280		
		90°	14316	10438	17909	13060	21501	15682	25094	18303	26890	19614	28687	20925	30483	22236	32279	23547	35872	26169	39465	28791	43057	31413	59224	43211		
6S-95	295	0°	16008	14749	20025	18453	24042	22157	28059	25861	30067	27713	32076	29565	34085	31417	36093	33269	40110	36974	44127	40678	48144	44382	59191	54568		
		45°	9510	7804	11896	9764	14283	11724	16669	13685	17862	14665	19056	15645	20249	16625	21442	17605	23829	19565	26215	21525	28602	23485	35164	28876		
		90°	15951	11925	19954	14920	23957	17915	27960	20910	29961	22407	31963	23905	33964	25402	35966	26899	39969	29894	43971	32889	47974	35884	58982	44120		
6S-110	220	0°	21489	19096	26875	23885	32260	28674	37646	33464	40339	35858	43032	38253	45725	40648	48418	43042	53804	47831	59189	52621	-	-	59189	52621		
		45°	12766	10105	15966	12639	19165	15173	22365	17708	23965	18975	25564	20242	27164	21509	28764	22776	31964	25311	35163	27845	-	-	35163	27845		
		90°	21413	15440	26780	19312	32147	23184	37513	27057	40197	28993	42880	30929	45563	32865	48247	34801	53614	38673	58980	42546	-	-	58980	42546		
6S-125	170	0°	27749	26113	34704	32660	41659	39208	48614	45756	52091	49030	55568	52304	59046	55578	-	-	-	-	-	-	-	-	-	-	59046	55578
		45°	16485	13818	20617	17283	24749	20747	28880	24212	30946	25945	33012	27677	35078	29410	-	-	-	-	-	-	-	-	-	-	35078	29410
		90°	27651	21113	34581	26407	41512	31701	48442	36995	51907	39642	55372	42289	58837	44936	-	-	-	-	-	-	-	-	-	-	58837	44936

NOTES:

MOT = Maximum Operating Torque

*MOP = Maximum Operating Pressure (barg)

OLGA-H Double-Acting Hydraulic Actuator

Output Torques (Nm) - Symmetric Yoke Design, Models 14S-85 to 80S-200

Model	MOP* (barg)	Position	Operating supply pressure (barg)																									
			80		100		120		140		150		160		170		180		200		220		240		MOT@MOP			
			OP	CL	OP	CL	OP	CL	OP	CL	OP	CL	OP	CL	OP	CL	OP	CL	OP	CL	OP	CL	OP	CL	OP	CL		
14S-85	350	0°	14217	12392	17784	15505	21352	18618	24920	21731	26703	23288	28487	24844	30271	26401	32055	27958	35622	31071	39190	34184	42758	37297	62380	54419		
		45°	8317	6452	10404	8073	12491	9693	14578	11314	15621	12125	16665	12935	17708	13746	18752	14556	20839	16177	22926	17798	25013	19419	36492	28333		
		90°	13716	9701	17158	12138	20600	14575	24042	17012	25763	18231	27484	19449	29205	20668	30926	21886	34368	24323	37811	26760	41253	29197	60184	42601		
14S-95	322	0°	17759	16362	22215	20471	26671	24580	31128	28690	33356	30744	35584	32799	37813	34854	40041	36908	44497	41018	48954	45127	53410	49236	77921	71838		
		45°	10389	8519	12996	10658	15603	12798	18210	14937	19513	16007	20817	17077	22120	18147	23424	19216	26031	21356	28638	23495	31245	25635	45584	37403		
		90°	17133	12809	21433	16026	25733	19242	30032	22459	32182	24068	34332	25676	36482	27285	38631	28893	42931	32110	47231	35327	51530	38544	75178	56237		
14S-110	350	0°	23839	21185	29814	26498	35789	31811	41764	37124	44751	39780	47739	42437	50726	45094	53714	47750	59689	53063	65663	58376	71638	63689	104500	92911		
		45°	13946	11030	17441	13796	20937	16562	24432	19329	26180	20712	27927	22095	29675	23478	31423	24861	34918	27627	38413	30394	41909	33160	61133	48375		
		90°	23000	16584	28765	20743	34529	24903	40294	29062	43176	31142	46058	33221	48941	35301	51823	37381	57587	41540	63352	45699	69117	49858	100822	72734		
14S-125	310	0°	30784	28969	38500	36233	46215	43497	53931	50761	57789	54393	61646	58025	65504	61657	69362	65289	77077	72552	84793	79816	92508	87080	119513	112504		
		45°	18009	15083	22522	18865	27036	22647	31550	26429	33806	28320	36063	30211	38320	32102	40577	33993	45090	37775	49604	41557	54118	45339	69915	58576		
		90°	29701	22678	37145	28364	44588	34051	52032	39737	55754	42581	59476	45424	63198	48267	66920	51110	74364	56797	81808	62483	89252	68170	115306	88073		
14S-135	265	0°	35907	34710	44906	43413	53906	52116	62905	60819	67405	65170	71904	69522	76404	73873	80904	78225	89903	86928	98902	95631	107902	104333	119151	115212		
		45°	21005	18072	26270	22603	31535	27134	36799	31666	39432	33931	42064	36197	44696	38462	47329	40728	52593	45259	57858	49790	63123	54322	69704	59986		
		90°	34643	27172	43326	33985	52008	40798	60691	47611	65032	51018	69373	54424	73715	57831	78056	61237	86738	68050	95421	74863	104104	81676	114957	90192		
14S-145	230	0°	41450	38487	51831	48131	62213	57775	72595	67418	77786	72240	82977	77062	88168	81884	93359	86706	103741	96350	114123	105993	-	-	119314	110815		
		45°	24248	20038	30321	25059	36395	30081	42468	35102	45505	37612	48542	40123	51579	42633	54615	45144	60689	50165	66762	55186	-	-	69799	57697		
		90°	39990	30129	50007	37679	60023	45228	70040	52778	75048	56553	80057	60327	85065	64102	90073	67877	100090	75426	110106	82976	-	-	115114	86751		
14S-175	155	0°	60376	59700	75498	74656	90620	89613	105743	104570	113304	112048	-	-	-	-	-	-	-	-	-	-	-	-	-	-	117084	115788
		45°	35320	31083	44166	38870	53013	46657	61860	54445	66283	58339	-	-	-	-	-	-	-	-	-	-	-	-	-	-	68495	60285
		90°	58250	46735	72840	58444	87430	70153	102020	81861	109315	87716	-	-	-	-	-	-	-	-	-	-	-	-	-	-	112963	90643
14S-185	140	0°	67473	67654	84373	84603	101273	101553	118173	118502	-	-	-	-	-	-	-	-	-	-	-	-	-	-	-	-	118173	118502
		45°	39472	35224	49358	44049	59245	52874	69131	61699	-	-	-	-	-	-	-	-	-	-	-	-	-	-	-	-	69131	61699
		90°	65098	52962	81403	66231	97708	79499	114013	92768	-	-	-	-	-	-	-	-	-	-	-	-	-	-	-	-	114013	92768
14S-200	120	0°	78858	77537	98610	96963	118361	116389	-	-	-	-	-	-	-	-	-	-	-	-	-	-	-	-	-	-	118361	116389
		45°	46132	40370	57687	50484	69242	60598	-	-	-	-	-	-	-	-	-	-	-	-	-	-	-	-	-	-	69242	60598
		90°	76082	60699	95139	75906	114195	91114	-	-	-	-	-	-	-	-	-	-	-	-	-	-	-	-	-	-	114195	91114
18S-125	345	0°	35392	33305	44262	41656	53133	50007	62003	58358	66438	62534	70873	66709	75308	70885	79744	75061	88614	83412	97484	91763	106354	100114	155141	146046		
		45°	20710	17346	25901	21695	31092	26044	36283	30394	38878	32569	41473	34743	44069	36918	46664	39093	51855	43442	57045	47792	62236	52141	90785	76063		
		90°	34167	26088	42731	32630	51294	39172	59857	45713	64139	48984	68421	52255	72702	55526	76984	58797	85548	65338	94111	71880	102674	78422	149773	114401		

NOTES:
MOT = Maximum Operating Torque
*MOP = Maximum Operating Pressure (barg)

Model	MOP* (barg)	Position	Operating supply pressure (barg)																							
			80		100		120		140		150		160		170		180		200		220		240		MOT@MOP	
			OP	CL	OP	CL	OP	CL	OP	CL	OP	CL	OP	CL	OP	CL	OP	CL	OP	CL	OP	CL	OP	CL	OP	CL
18S-145	300	0°	47654	44248	59589	55335	71525	66422	83461	77509	89429	83053	95397	88597	101365	94140	107333	99684	119269	110771	131205	121858	143141	132945	178948	166207
		45°	27886	23045	34870	28819	41855	34594	48840	40368	52332	43255	55824	46143	59316	49030	62809	51917	69793	57691	76778	63466	83763	69240	104717	86564
		90°	46005	34660	57527	43345	69050	52030	80573	60715	86335	65057	92096	69400	97857	73742	103619	78085	115142	86769	126665	95454	138187	104139	172756	130194
18S-175	205	0°	69412	68635	86798	85831	104184	103026	121570	120222	130263	128819	138956	137417	147648	146015	156341	154612	173727	171808	-	-	-	-	178074	176107
		45°	40618	35746	50792	44702	60966	53658	71140	62614	76227	67091	81314	71569	86401	76047	91487	80525	101661	89481	-	-	-	-	104205	91720
		90°	67010	53764	83795	67233	100579	80703	117363	94172	125755	100907	134147	107642	142539	114377	150931	121112	167716	134581	-	-	-	-	171912	137949
18S-185	180	0°	77572	77780	97001	97266	116431	116753	135860	136239	145575	145982	155290	155725	165005	165468	174719	175211	-	-	-	-	-	-	174719	175211
		45°	45393	40509	56763	50658	68133	60807	79502	70956	85187	76030	90872	81104	96557	86179	102242	91253	-	-	-	-	-	-	102242	91253
		90°	74888	60927	93645	76191	112402	91455	131159	106719	140538	114351	149916	121983	159295	129615	168674	137247	-	-	-	-	-	-	168674	137247
18S-200	155	0°	90661	89142	113369	111476	136077	133809	158785	156143	170139	167309	-	-	-	-	-	-	-	-	-	-	-	-	175816	172893
		45°	53053	46427	66341	58059	79629	69690	92917	81322	99562	87138	-	-	-	-	-	-	-	-	-	-	-	-	102884	90046
		90°	87524	69827	109446	87322	131368	104816	153291	122310	164252	131057	-	-	-	-	-	-	-	-	-	-	-	-	169732	135431
32S-145	350	0°	55228	51281	69061	64130	82893	76979	96726	89829	103643	96253	110559	102678	117476	109103	124392	115527	138225	128377	152058	141226	165891	154075	241972	224747
		45°	32749	27083	40952	33870	49155	40656	57358	47442	61460	50836	65561	54229	69662	57622	73764	61015	81967	67801	90170	74588	98372	81374	143488	118699
		90°	54822	41303	68553	51653	82284	62002	96015	72351	102881	77526	109747	82701	116612	87875	123478	93050	137209	103399	150940	113749	164672	124098	240194	181019
32S-175	273	0°	80445	79544	100594	99472	120743	119401	140892	139329	150966	149294	161041	159258	171115	169222	181190	179186	201339	199115	221488	219043	241637	238972	297047	293775
		45°	47703	42011	59651	52536	71600	63061	83548	73586	89522	78849	95496	84111	101470	89374	107445	94636	119393	105162	131341	115687	143290	126212	176147	155156
		90°	79853	64068	99854	80119	119855	96170	139856	112221	149857	120247	159857	128272	169858	136298	179858	144323	199859	160374	219860	176425	239861	192477	294864	236617
32S-200	210	0°	105071	103310	131388	129194	157705	155077	184022	180960	197181	193901	210339	206843	223498	219784	236656	232726	262974	258609	289291	284492	-	-	276132	271550
		45°	62306	54563	77912	68233	93518	81903	109124	95573	116927	102408	124730	109243	132533	116078	140336	122913	155942	136583	171548	150253	-	-	163745	143418
		90°	104298	83210	130422	104057	156546	124904	182669	145751	195731	156175	208793	166599	221855	177022	234917	187446	261040	208293	287164	229140	-	-	274102	218717
50S-175	273	0°	89383	88382	111771	110525	134159	132668	156547	154811	167741	165882	178934	176953	190128	188025	201322	199096	223710	221239	246098	243382	268486	265524	391619	387309
		45°	53003	46679	66279	58373	79555	70068	92831	81762	99469	87610	106107	93457	112745	99304	119383	105152	132659	116846	145935	128541	159211	140235	232228	204556
		90°	88726	71186	110949	89021	133172	106855	155396	124690	166507	133607	177619	142525	188731	151442	199842	160359	222066	178194	244289	196028	266512	213863	388740	311953
50S-200	305	0°	116745	114789	145987	143548	175228	172307	204469	201066	219090	215446	233710	229825	248331	244205	262952	258584	292193	287343	321434	316102	350676	344861	445710	438328
		45°	69229	60625	86569	75814	103909	91003	121249	106192	129919	113787	138589	121381	147259	128976	155929	136570	173269	151759	190609	166948	207949	182137	264304	231501
		90°	115887	92456	144913	115619	173940	138783	202966	161946	217479	173528	231992	185110	246506	196691	261019	208273	290045	231437	319071	254600	348098	277764	442433	353045
80S-200	331	0°	136203	128186	170318	160304	204433	192422	238547	224540	255605	240600	272662	256659	289720	272718	306777	288777	340892	320895	375007	353013	409122	385132	596753	561782
		45°	80767	67701	100997	84664	121227	101627	141457	118590	151572	127072	161687	135553	171802	144035	181917	152516	202147	169479	222377	186443	242607	203406	353872	296703
		90°	135202	103245	169066	129115	202930	154984	236794	180853	253726	193788	270658	206722	287590	219657	304522	232592	338386	258461	372250	284330	406114	310199	592366	452480

NOTES:

MOT = Maximum Operating Torque

*MOP = Maximum Operating Pressure (barg)

OLGAS-H Spring-Return Hydraulic Actuator

Output Torques (Nm) - Canted Yoke Design, Spring to Close

Models 0.3C-008A-20-CL to 0.9C-0700-85-CL

Model	MOP (barg)	BTC	RTC	ETC	Operating supply pressure (barg)																	
					80			100			120			140			150			160		
					BTO	RTO	ETO	BTO	RTO	ETO	BTO	RTO	ETO	BTO	RTO	ETO	BTO	RTO	ETO	BTO	RTO	ETO
0.3C-008A-20-CL	350	208	118	203	-	-	-	248	27	27	342	78	79	436	117	132	483	135	159	530	154	185
0.3C-008A-28-CL	350	206	117	200	512	147	175	696	220	279	880	292	382	1064	365	486	1156	401	538	1248	437	590
0.3C-008A-35-CL	220	206	117	198	925	310	408	1212	423	570	1499	535	732	1787	648	893	1930	704	974	2074	760	1055
0.3C-008B-20-CL	350	313	160	201	-	-	-	-	-	-	-	-	-	438	22	22	485	49	49	532	75	75
0.3C-008B-28-CL	350	312	159	198	514	65	65	698	163	169	882	239	273	1065	312	376	1157	349	428	1249	385	480
0.3C-008B-35-CL	220	311	159	197	926	257	298	1214	371	460	1501	484	622	1788	597	784	1932	654	865	2075	710	945
0.3C-008C-20-CL	350	376	195	254	-	-	-	-	-	-	-	-	-	-	-	-	-	-	-	478	7	7
0.3C-008C-28-CL	350	375	194	252	-	-	-	644	101	101	828	195	204	1012	271	308	1104	308	360	1196	345	412
0.3C-008C-35-CL	225	374	194	250	873	214	230	1160	331	392	1448	445	553	1735	558	715	1879	615	796	2022	671	877
0.3C-0100-28-CL	350	601	330	508	-	-	-	-	-	-	-	-	-	757	59	59	849	111	111	941	163	163
0.3C-0100-35-CL	245	600	329	507	-	-	-	905	143	143	1192	288	305	1479	405	467	1623	463	548	1767	520	629
0.3C-0100-40-CL	185	598	328	504	967	178	178	1342	349	389	1717	500	601	2092	649	812	2280	723	918	2467	797	1024
0.3C-0100-45-CL	145	598	328	502	1364	358	401	1839	549	669	2313	736	937	2788	923	1204	-	-	-	-	-	-
0.3C-0100-50-CL	120	597	327	501	1808	537	652	2395	768	982	2981	999	1313	-	-	-	-	-	-	-	-	-
0.3C-0150-35-CL	265	754	445	823	-	-	-	-	-	-	877	127	127	1164	276	289	1308	336	370	1452	394	451
0.3C-0150-40-CL	205	753	444	820	-	-	-	1027	212	212	1402	374	423	1777	524	634	1965	599	740	2152	673	846
0.3C-0150-45-CL	160	752	443	818	1049	224	224	1523	423	491	1998	612	759	2473	799	1027	2711	893	1161	2948	986	1294
0.3C-0150-50-CL	130	752	443	817	1493	411	474	2079	644	805	2666	875	1135	-	-	-	-	-	-	-	-	-
0.3C-0150-60-CL	90	752	443	818	2526	820	1056	-	-	-	-	-	-	-	-	-	-	-	-	-	-	-
0.9C-0200-40-CL	350	1003	589	1072	-	-	-	1064	100	100	1498	338	344	1932	519	589	2149	606	711	2366	693	834

NOTES:

- MOP: Maximum Operating Pressure
- BTC: Break to Close
- ETC: End to Close
- RTC: Run to Close
- RTO: Run to Open
- BTO: Break to Open
- ETO: End to Open

Model	MOP (barg)	BTC	RTC	ETC	Operating supply pressure (barg)																	
					170			180			200			220			240			MOT@MOP		
					BTO	RTO	ETO	BTO	RTO	ETO	BTO	RTO	ETO	BTO	RTO	ETO	BTO	RTO	ETO	BTO	RTO	ETO
0.3C-008A-20-CL	350	208	118	203	577	173	212	624	191	238	718	228	291	811	265	344	905	302	397	1421	504	687
0.3C-008A-28-CL	350	206	117	200	1340	473	642	1432	509	693	1615	581	797	1799	653	901	1983	724	1004	2994	1120	1574
0.3C-008A-35-CL	220	206	117	198	2218	816	1136	2361	872	1217	2648	985	1379	2936	1097	1541	-	-	-	2936	1097	1541
0.3C-008B-20-CL	350	313	160	201	578	102	102	625	128	128	719	172	181	813	211	234	907	249	287	1423	454	578
0.3C-008B-28-CL	350	312	159	198	1341	421	532	1433	458	583	1617	530	687	1801	602	791	1985	674	894	2996	1071	1464
0.3C-008B-35-CL	220	311	159	197	2219	766	1026	2363	823	1107	2650	935	1269	2937	1048	1431	-	-	-	2937	1048	1431
0.3C-008C-20-CL	350	376	195	254	525	33	33	572	60	60	666	113	113	760	165	166	853	206	219	1369	414	509
0.3C-008C-28-CL	350	375	194	252	1288	382	463	1380	418	515	1564	491	619	1748	563	722	1931	636	826	2943	1032	1396
0.3C-008C-35-CL	225	374	194	250	2166	728	958	2309	784	1039	2597	897	1201	2884	1009	1363	-	-	-	2956	1038	1404
0.3C-0100-28-CL	350	601	330	508	1032	215	215	1124	259	267	1308	336	370	1492	410	474	1676	484	577	2687	884	1147
0.3C-0100-35-CL	245	600	329	507	1910	577	710	2054	634	791	2341	747	952	2629	861	1114	2916	973	1276	2988	1002	1317
0.3C-0100-40-CL	185	598	328	504	2655	871	1129	2843	945	1235	-	-	-	-	-	-	-	-	-	2936	982	1288
0.3C-0100-45-CL	145	598	328	502	-	-	-	-	-	-	-	-	-	-	-	-	-	-	-	2907	970	1271
0.3C-0100-50-CL	120	597	327	501	-	-	-	-	-	-	-	-	-	-	-	-	-	-	-	2981	999	1313
0.3C-0150-35-CL	265	754	445	823	1595	452	532	1739	509	613	2026	623	775	2313	737	937	2601	850	1099	2960	991	1301
0.3C-0150-40-CL	205	753	444	820	2340	747	952	2528	821	1057	2903	968	1269	-	-	-	-	-	-	2997	1005	1322
0.3C-0150-45-CL	160	752	443	818	-	-	-	-	-	-	-	-	-	-	-	-	-	-	-	2948	986	1294
0.3C-0150-50-CL	130	752	443	817	-	-	-	-	-	-	-	-	-	-	-	-	-	-	-	2959	990	1301
0.3C-0150-60-CL	90	752	443	818	-	-	-	-	-	-	-	-	-	-	-	-	-	-	-	2948	986	1294
0.9C-0200-40-CL	350	1003	589	1072	2583	779	956	2799	865	1078	3233	1036	1323	3667	1207	1567	4101	1377	1812	6487	2312	3157

NOTES:

- MOT: Maximum Operating Torque
- MOP: Maximum Operating Pressure
- BTC: Break to Close
- RTC: Run to Close
- ETC: End to Close
- BTO: Break to Open
- RTO: Run to Open
- ETO: End to Open

Model	MOP (barg)	BTC	RTC	ETC	Operating supply pressure (barg)																	
					80			100			120			140			150			160		
					BTO	RTO	ETO	BTO	RTO	ETO	BTO	RTO	ETO	BTO	RTO	ETO	BTO	RTO	ETO	BTO	RTO	ETO
0.9C-0200-45-CL	350	1002	588	1070	1089	114	114	1638	398	424	2188	621	733	2737	840	1043	3011	948	1197	3286	1056	1352
0.9C-0200-50-CL	295	1002	587	1069	1603	383	404	2281	659	786	2959	928	1168	3637	1195	1550	3976	1328	1741	4315	1461	1932
0.9C-0200-60-CL	205	1002	588	1070	2797	864	1077	3773	1248	1627	4750	1631	2177	5726	2014	2727	6214	2205	3003	6702	2396	3278
0.9C-0250-40-CL	350	1197	732	1469	-	-	-	-	-	-	1103	122	122	1537	355	366	1754	446	489	1970	534	611
0.9C-0250-45-CL	350	1196	731	1467	-	-	-	1243	201	201	1792	462	510	2341	683	820	2616	792	975	2891	901	1129
0.9C-0250-50-CL	310	1196	731	1465	1208	181	181	1886	500	563	2564	771	945	3242	1039	1327	3581	1173	1519	3920	1306	1710
0.9C-0250-60-CL	215	1196	731	1466	2402	707	854	3378	1093	1404	4355	1476	1955	5331	1859	2505	5819	2050	2780	6307	2241	3055
0.9C-0250-70-CL	155	1196	731	1466	3812	1263	1649	5140	1785	2398	6469	2305	3146	7798	2825	3895	8462	3085	4270	-	-	-
0.9C-0350-45-CL	350	1890	1114	2054	-	-	-	-	-	-	-	-	-	1756	67	67	2031	222	222	2305	376	376
0.9C-0350-50-CL	325	1889	1114	2053	-	-	-	-	-	-	1979	192	192	2657	574	574	2996	723	766	3335	863	957
0.9C-0350-60-CL	225	1890	1114	2054	1817	101	101	2793	636	651	3769	1039	1202	4745	1429	1752	5233	1622	2027	5722	1815	2302
0.9C-0350-70-CL	165	1889	1114	2054	3226	819	896	4555	1353	1645	5884	1879	2393	7213	2401	3142	7877	2662	3517	8541	2923	3891
0.9C-0350-85-CL	110	1884	1110	2043	5739	1822	2312	7698	2592	3416	-	-	-	-	-	-	-	-	-	-	-	-
0.9C-0400-50-CL	345	2225	1363	2741	-	-	-	-	-	-	-	-	-	1971	188	188	2310	379	379	2649	570	570
0.9C-0400-60-CL	240	2226	1363	2742	-	-	-	2108	265	265	3084	760	815	4060	1156	1366	4548	1351	1641	5036	1544	1916
0.9C-0400-70-CL	175	2225	1363	2742	2541	509	509	3870	1080	1258	5199	1608	2007	6527	2132	2756	7192	2393	3131	7856	2654	3505
0.9C-0400-85-CL	120	2220	1359	2731	5054	1551	1926	7013	2323	3030	8972	3092	4134	-	-	-	-	-	-	-	-	-
0.9C-0700-60-CL	255	3139	1886	3630	-	-	-	-	-	-	-	-	-	3176	368	368	3664	643	643	4152	912	918
0.9C-0700-70-CL	190	3139	1886	3630	-	-	-	2986	260	260	4314	984	1009	5643	1535	1758	6307	1802	2133	6972	2066	2507
0.9C-0700-85-CL	125	3134	1882	3619	4169	920	927	6128	1730	2032	8088	2509	3136	-	-	-	-	-	-	-	-	-

NOTES:

- MOP: Maximum Operating Pressure
- BTC: Break to Close
- ETC: End to Close
- RTC: Run to Close
- RTO: Run to Open
- BTO: Break to Open
- ETO: End to Open

Model	MOP (barg)	BTC	RTC	ETC	Operating supply pressure (barg)																	
					170			180			200			220			240			MOT@MOP		
					BTO	RTO	ETO	BTO	RTO	ETO	BTO	RTO	ETO	BTO	RTO	ETO	BTO	RTO	ETO	BTO	RTO	ETO
0.9C-0200-45-CL	350	1002	588	1070	3560	1165	1507	3835	1272	1662	4384	1488	1971	4933	1703	2281	5482	1919	2590	8502	3101	4292
0.9C-0200-50-CL	295	1002	587	1069	4654	1594	2123	4993	1727	2314	5671	1992	2696	6349	2258	3079	7027	2523	3461	8891	3253	4511
0.9C-0200-60-CL	205	1002	588	1070	7190	2587	3553	7678	2778	3828	8654	3160	4378	-	-	-	-	-	-	8898	3256	4516
0.9C-0250-40-CL	350	1197	732	1469	2187	621	733	2404	708	855	2838	880	1100	3272	1051	1344	3706	1222	1589	6092	2157	2934
0.9C-0250-45-CL	350	1196	731	1467	3165	1009	1284	3440	1117	1439	3989	1333	1748	4538	1548	2058	5087	1764	2367	8107	2946	4070
0.9C-0250-50-CL	310	1196	731	1465	4259	1439	1901	4598	1572	2092	5276	1838	2474	5954	2103	2856	6631	2368	3238	9004	3354	4575
0.9C-0250-60-CL	215	1196	731	1466	6795	2433	3330	7283	2624	3605	8259	3006	4155	-	-	-	-	-	-	8991	3292	4568
0.9C-0250-70-CL	155	1196	731	1466	-	-	-	-	-	-	-	-	-	-	-	-	-	-	-	8794	3215	4457
0.9C-0350-45-CL	350	1890	1114	2054	2580	531	531	2854	662	686	3403	891	995	3953	1113	1305	4502	1332	1614	7522	2523	3317
0.9C-0350-50-CL	325	1889	1114	2053	3673	1001	1148	4012	1137	1339	4690	1407	1721	5368	1675	2103	6046	1943	2485	8927	3074	4109
0.9C-0350-60-CL	225	1890	1114	2054	6210	2007	2577	6698	2199	2852	7674	2583	3402	8650	2965	3953	-	-	-	8894	3061	4090
0.9C-0350-70-CL	165	1889	1114	2054	-	-	-	-	-	-	-	-	-	-	-	-	-	-	-	8873	3053	4078
0.9C-0350-85-CL	110	1884	1110	2043	-	-	-	-	-	-	-	-	-	-	-	-	-	-	-	8678	2976	3968
0.9C-0400-50-CL	345	2225	1363	2741	2988	719	761	3327	860	952	4005	1134	1335	4683	1404	1717	5361	1672	2099	8920	3071	4105
0.9C-0400-60-CL	240	2226	1363	2742	5525	1737	2191	6013	1929	2466	6989	2313	3016	7965	2697	3566	8941	3080	4117	8941	3080	4117
0.9C-0400-70-CL	175	2225	1363	2742	8520	2915	3880	-	-	-	-	-	-	-	-	-	-	-	-	8853	3045	4067
0.9C-0400-85-CL	120	2220	1359	2731	-	-	-	-	-	-	-	-	-	-	-	-	-	-	-	8972	3092	4134
0.9C-0700-60-CL	255	3139	1886	3630	4640	1123	1193	5128	1326	1468	6104	1720	2018	7081	2110	2568	8057	2496	3119	8789	2786	3531
0.9C-0700-70-CL	190	3139	1886	3630	7636	2330	2881	8300	2593	3256	-	-	-	-	-	-	-	-	-	8965	2855	3630
0.9C-0700-85-CL	125	3134	1882	3619	-	-	-	-	-	-	-	-	-	-	-	-	-	-	-	8577	2702	3412

NOTES:

- MOT: Maximum Operating Torque
- MOP: Maximum Operating Pressure
- BTC: Break to Close
- RTC: Run to Close
- ETC: End to Close
- BTO: Break to Open
- RTO: Run to Open
- ETO: End to Open

OLGAS-H Spring-Return Hydraulic Actuator

Output Torques (Nm) - Canted Yoke Design, Spring to Close

Models 1.5C-1100-70-CL to 14C-8300-200-CL

Model	MOP (barg)	BTC	RTC	ETC	Operating supply pressure (barg)																	
					80			100			120			140			150			160		
					BTO	RTO	ETO	BTO	RTO	ETO	BTO	RTO	ETO	BTO	RTO	ETO	BTO	RTO	ETO	BTO	RTO	ETO
1.5C-1100-70-CL	240	5802	3267	5365	-	-	-	-	-	-	-	-	-	6364	276	276	7204	750	750	8044	1223	1223
1.5C-1100-85-CL	160	5795	3262	5352	-	-	-	6978	622	622	9455	2019	2019	11933	3084	3415	13171	3588	4113	14410	4086	4811
1.5C-1100-95-CL	130	5790	3258	5341	6960	612	612	10055	2297	2356	13149	3579	4101	-	-	-	-	-	-	-	-	-
1.5C-1100-110-CL	95	5793	3260	5347	11183	2775	2992	-	-	-	-	-	-	-	-	-	-	-	-	-	-	-
1.5C-1200-70-CL	265	6714	3958	7293	-	-	-	-	-	-	-	-	-	-	-	-	-	-	-	6123	172	172
1.5C-1200-85-CL	180	6707	3954	7280	-	-	-	-	-	-	7535	967	967	10012	2297	2363	11251	2821	3061	12489	3328	3760
1.5C-1200-95-CL	140	6702	3950	7270	-	-	-	8134	1305	1305	11228	2811	3049	14323	4066	4793	-	-	-	-	-	-
1.5C-1200-110-CL	105	6705	3952	7275	9262	1940	1940	13411	3700	4279	-	-	-	-	-	-	-	-	-	-	-	-
3C-2000-70-CL	295	9894	5974	11635	-	-	-	-	-	-	-	-	-	7791	7	7	9181	791	791	10572	1575	1575
3C-2000-85-CL	200	9884	5966	11613	-	-	-	8807	580	580	12907	2861	2891	17008	4576	5202	19058	5401	6358	21108	6219	7514
3C-2000-95-CL	160	9875	5960	11596	8777	563	563	13899	3293	3450	19021	5386	6337	24143	7423	9224	26704	8434	10668	29265	9443	12111
3C-2000-110-CL	120	9880	5963	11605	15766	4070	4503	22633	6824	8373	29501	9536	12244	-	-	-	-	-	-	-	-	-
6C-2500-85-CL	320	14109	8635	17339	-	-	-	-	-	-	11342	522	522	16136	3224	3224	18533	4376	4575	20930	5376	5926
6C-2500-95-CL	255	14099	8628	17319	-	-	-	12502	1176	1176	18490	4358	4551	24479	6814	7927	27473	8012	9614	30467	9201	11302
6C-2500-110-CL	190	14104	8632	17330	14685	2406	2406	22713	6102	6931	30742	9310	11457	38770	12480	15982	42784	14060	18244	46799	15637	20507
6C-2500-125-CL	145	14092	8622	17304	24017	6629	7666	34384	10751	13510	44752	14833	19353	55119	18902	25197	-	-	-	-	-	-
6C-2500-135-CL	125	14082	8615	17285	30900	9373	11546	42993	14142	18362	55085	18889	25178	-	-	-	-	-	-	-	-	-
6C-3800-85-CL	350	19035	11997	25787	-	-	-	-	-	-	-	-	-	-	-	-	-	-	-	12517	351	351
6C-3800-95-CL	285	19025	11990	25767	-	-	-	-	-	-	-	-	-	16065	2351	2351	19059	4039	4039	22053	5373	5726
6C-3800-110-CL	210	19030	11994	25778	-	-	-	14300	1356	1356	22328	5488	5881	30357	8744	10406	34371	10341	12669	38385	11930	14932

NOTES:

- MOP: Maximum Operating Pressure
- BTC: Break to Close
- ETC: End to Close
- RTC: Run to Close
- RTO: Run to Open
- BTO: Break to Open
- ETO: End to Open

Model	MOP (barg)	BTC	RTC	ETC	Operating supply pressure (barg)																	
					170			180			200			220			240			MOT@MOP		
					BTO	RTO	ETO	BTO	RTO	ETO	BTO	RTO	ETO	BTO	RTO	ETO	BTO	RTO	ETO	BTO	RTO	ETO
1.5C-1100-70-CL	240	5802	3267	5365	8884	1697	1697	9724	2150	2170	11405	2867	3117	13085	3553	4064	14765	4227	5011	14765	4227	5011
1.5C-1100-85-CL	160	5795	3262	5352	-	-	-	-	-	-	-	-	-	-	-	-	-	-	-	14410	4086	4811
1.5C-1100-95-CL	130	5790	3258	5341	-	-	-	-	-	-	-	-	-	-	-	-	-	-	-	14697	4200	4973
1.5C-1100-110-CL	95	5793	3260	5347	-	-	-	-	-	-	-	-	-	-	-	-	-	-	-	14294	4039	4746
1.5C-1200-70-CL	265	6714	3958	7293	6964	645	645	7804	1119	1119	9484	2061	2066	11164	2785	3013	12844	3472	3960	14944	4315	5143
1.5C-1200-85-CL	180	6707	3954	7280	13728	3828	4458	14967	4324	5156	-	-	-	-	-	-	-	-	-	14967	4324	5156
1.5C-1200-95-CL	140	6702	3950	7270	-	-	-	-	-	-	-	-	-	-	-	-	-	-	-	14323	4066	4793
1.5C-1200-110-CL	105	6705	3952	7275	-	-	-	-	-	-	-	-	-	-	-	-	-	-	-	14448	4116	4864
3C-2000-70-CL	295	9894	5974	11635	11962	2359	2359	13353	3058	3142	16134	4220	4710	18915	5343	6277	21696	6452	7845	29343	9474	12155
3C-2000-85-CL	200	9884	5966	11613	23158	7033	8669	25209	7844	9825	29309	9461	12136	-	-	-	-	-	-	29309	9461	12136
3C-2000-95-CL	160	9875	5960	11596	-	-	-	-	-	-	-	-	-	-	-	-	-	-	-	29265	9443	12111
3C-2000-110-CL	120	9880	5963	11605	-	-	-	-	-	-	-	-	-	-	-	-	-	-	-	29501	9536	12244
6C-2500-85-CL	320	14109	8635	17339	23327	6350	7277	25724	7313	8628	30518	9222	11330	35312	11117	14033	40106	13006	16735	59281	20534	27543
6C-2500-95-CL	255	14099	8628	17319	33461	10386	12989	36455	11569	14677	42443	13926	18052	48431	16279	21427	54420	18628	24802	58911	20388	27334
6C-2500-110-CL	190	14104	8632	17330	50813	17214	22770	54827	18787	25032	-	-	-	-	-	-	-	-	-	58842	20361	27295
6C-2500-125-CL	145	14092	8622	17304	-	-	-	-	-	-	-	-	-	-	-	-	-	-	-	57711	19918	26658
6C-2500-135-CL	125	14082	8615	17285	-	-	-	-	-	-	-	-	-	-	-	-	-	-	-	58108	20074	26882
6C-3800-85-CL	350	19035	11997	25787	14914	1702	1702	17311	3053	3053	22104	5394	5755	26898	7357	8457	31692	9276	11159	58059	19670	26020
6C-3800-95-CL	285	19025	11990	25767	25047	6607	7414	28042	7817	9101	34030	10206	12477	40018	12575	15852	46006	14934	19227	59480	20227	26821
6C-3800-110-CL	210	19030	11994	25778	42400	13514	17194	46414	15095	19457	54442	18250	23982	-	-	-	-	-	-	58457	19826	26245

NOTES:

- MOT: Maximum Operating Torque
- MOP: Maximum Operating Pressure
- BTC: Break to Close
- RTC: Run to Close
- ETC: End to Close
- BTO: Break to Open
- RTO: Run to Open
- ETO: End to Open

Model	MOP (barg)	BTC	RTC	ETC	Operating supply pressure (barg)																	
					80			100			120			140			150			160		
					BTO	RTO	ETO	BTO	RTO	ETO	BTO	RTO	ETO	BTO	RTO	ETO	BTO	RTO	ETO	BTO	RTO	ETO
6C-3800-125-CL	165	19017	11984	25752	15603	2091	2091	25971	6982	7934	36338	11121	13778	46706	15210	19621	51889	17247	22543	57073	19283	25465
6C-3800-135-CL	140	19008	11977	25733	22487	5554	5970	34579	10423	12786	46672	15197	19602	58764	19947	26418	-	-	-	-	-	-
14C-5100-95-CL	322	22826	14420	31156	-	-	-	-	-	-	-	-	-	14578	295	295	17850	2140	2140	21122	3984	3984
14C-5100-110-CL	340	22832	14424	31167	-	-	-	-	-	-	21423	4154	4154	30198	8051	9100	34585	9819	11572	38973	11568	14045
14C-5100-125-CL	265	22818	14414	31139	14073	11	11	25404	6073	6398	36735	10678	12784	48066	15167	19171	53732	17399	22364	59398	19627	25558
14C-5100-135-CL	225	22808	14406	31118	21596	4251	4251	34813	9909	11701	48029	15152	19150	61246	20353	26600	67855	22949	30324	74463	25540	34049
14C-5100-145-CL	195	22817	14413	31138	29736	7864	8839	44983	13949	17433	60231	19954	26027	75478	25938	34621	83101	28927	38918	90725	31913	43215
14C-5100-175-CL	135	22789	14393	31080	57531	18894	24506	79741	27609	37024	101950	36307	49542	-	-	-	-	-	-	-	-	-
14C-5100-200-CL	100	22761	14373	31023	84675	29544	39805	113683	40901	56155	-	-	-	-	-	-	-	-	-	-	-	-
14C-5400-110-CL	350	29546	18214	37206	-	-	-	-	-	-	-	-	-	24183	1793	1793	28571	4266	4266	32958	6738	6738
14C-5400-125-CL	275	29532	18204	37178	-	-	-	-	-	-	30721	5477	5477	42052	10777	11864	47718	13079	15057	53383	15352	18251
14C-5400-135-CL	235	29522	18197	37157	-	-	-	28798	4394	4394	42015	10761	11843	55232	16089	19293	61840	18715	23017	68448	21329	26742
14C-5400-145-CL	205	29531	18204	37177	23722	1532	1532	38969	9499	10126	54216	15685	18720	69463	21730	27314	77087	24736	31611	84711	27738	35908
14C-5400-175-CL	140	29503	18183	37119	51517	14606	17199	73726	23413	29717	95935	32148	42235	118144	40859	54753	-	-	-	-	-	-
14C-5400-185-CL	125	29492	18175	37097	61940	18754	23074	86760	28543	37063	111580	38285	51053	-	-	-	-	-	-	-	-	-
14C-5400-200-CL	105	29475	18163	37062	78661	25356	32498	107669	36752	48848	-	-	-	-	-	-	-	-	-	-	-	-
14C-8300-125-CL	295	37940	23489	48455	-	-	-	-	-	-	-	-	-	30821	2515	2515	36487	5708	5708	42152	8901	8901
14C-8300-135-CL	255	37930	23482	48434	-	-	-	-	-	-	30784	2494	2494	44001	9811	9943	50609	12630	13668	57218	15336	17393
14C-8300-145-CL	220	37939	23489	48454	-	-	-	27738	777	777	42985	9348	9371	58233	15747	17965	65856	18810	22262	73480	21849	26559
14C-8300-175-CL	150	37911	23468	48396	40286	7850	7850	62495	17464	20367	84704	26295	32885	106914	35047	45403	118018	39410	51662	-	-	-
14C-8300-185-CL	135	37901	23460	48374	50709	12672	13724	75529	22662	27714	100349	32464	41703	-	-	-	-	-	-	-	-	-
14C-8300-200-CL	115	37884	23448	48339	67430	19440	23149	96438	30923	39499	-	-	-	-	-	-	-	-	-	-	-	-

NOTES:

- MOP: Maximum Operating Pressure
- BTC: Break to Close
- ETC: End to Close
- RTC: Run to Close
- RTO: Run to Open
- BTO: Break to Open
- ETO: End to Open

Model	MOP (barg)	BTC	RTC	ETC	Operating supply pressure (barg)																	
					170			180			200			220			240			MOT@MOP		
					BTO	RTO	ETO	BTO	RTO	ETO	BTO	RTO	ETO	BTO	RTO	ETO	BTO	RTO	ETO	BTO	RTO	ETO
6C-3800-125-CL	165	19017	11984	25752	-	-	-	-	-	-	-	-	-	-	-	-	-	-	-	59665	20300	26926
6C-3800-135-CL	140	19008	11977	25733	-	-	-	-	-	-	-	-	-	-	-	-	-	-	-	58764	19947	26418
14C-5100-95-CL	322	22826	14420	31156	24395	5642	5829	27667	7017	7673	34212	9669	11362	40757	12276	15051	47302	14865	18740	83299	29004	39029
14C-5100-110-CL	340	22832	14424	31167	43360	13308	16518	47748	15041	18991	56522	18497	23937	65297	21945	28883	74072	25387	33829	117947	42570	58558
14C-5100-125-CL	265	22818	14414	31139	65063	21853	28751	70729	24076	31944	82060	28518	38331	93391	32957	44718	104722	37393	51104	118886	42938	59088
14C-5100-135-CL	225	22808	14406	31118	81071	28131	37774	87680	30721	41498	100896	35895	48948	114113	41069	56397	-	-	-	117417	42363	58260
14C-5100-145-CL	195	22817	14413	31138	98349	34898	47512	105972	37882	51809	-	-	-	-	-	-	-	-	-	117408	42359	58254
14C-5100-175-CL	135	22789	14393	31080	-	-	-	-	-	-	-	-	-	-	-	-	-	-	-	118606	42828	58930
14C-5100-200-CL	100	22761	14373	31023	-	-	-	-	-	-	-	-	-	-	-	-	-	-	-	113683	40901	56155
14C-5400-110-CL	350	29546	18214	37206	37346	8813	9211	41733	10645	11684	50508	14201	16630	59283	17701	21576	68058	21175	26522	116319	40143	53724
14C-5400-125-CL	275	29532	18204	37178	59049	17608	21444	64714	19854	24637	76046	24326	31024	87377	28785	37411	98708	33237	43797	118538	41013	54974
14C-5400-135-CL	235	29522	18197	37157	75057	23937	30467	81665	26539	34191	94882	31734	41641	108098	36920	49090	-	-	-	118011	40807	54677
14C-5400-145-CL	205	29531	18204	37177	92334	30733	40205	99958	33728	44502	115205	39706	53096	-	-	-	-	-	-	119017	41201	55244
14C-5400-175-CL	140	29503	18183	37119	-	-	-	-	-	-	-	-	-	-	-	-	-	-	-	118144	40859	54753
14C-5400-185-CL	125	29492	18175	37097	-	-	-	-	-	-	-	-	-	-	-	-	-	-	-	117785	40718	54550
14C-5400-200-CL	105	29475	18163	37062	-	-	-	-	-	-	-	-	-	-	-	-	-	-	-	114921	39595	52936
14C-8300-125-CL	295	37940	23489	48455	47818	11463	12095	53484	13815	15288	64815	18394	21675	76146	22907	28061	87477	27390	34448	118638	39653	52011
14C-8300-135-CL	255	37930	23482	48434	63826	17999	21117	70434	20637	24842	83651	25878	32292	96868	31093	39741	110084	36293	47190	119997	40187	52777
14C-8300-145-CL	220	37939	23489	48454	81103	24872	30856	88727	27884	35153	103974	33891	43747	119222	39883	52340	-	-	-	119222	39883	52340
14C-8300-175-CL	150	37911	23468	48396	-	-	-	-	-	-	-	-	-	-	-	-	-	-	-	118018	39410	51662
14C-8300-185-CL	135	37901	23460	48374	-	-	-	-	-	-	-	-	-	-	-	-	-	-	-	118964	39781	52195
14C-8300-200-CL	115	37884	23448	48339	-	-	-	-	-	-	-	-	-	-	-	-	-	-	-	118194	39479	51761

NOTES:

- MOT: Maximum Operating Torque
- MOP: Maximum Operating Pressure
- BTC: Break to Close
- RTC: Run to Close
- ETC: End to Close
- BTO: Break to Open
- RTO: Run to Open
- ETO: End to Open

OLGAS-H Spring-Return Hydraulic Actuator

Output Torques (Nm) - Canted Yoke Design, Spring to Close

Models 18C-9600-145-CL to 50C-15600-300-CL

Model	MOP (barg)	BTC	RTC	ETC	Operating supply pressure (barg)																	
					80			100			120			140			150			160		
					BTO	RTO	ETO	BTO	RTO	ETO	BTO	RTO	ETO	BTO	RTO	ETO	BTO	RTO	ETO	BTO	RTO	ETO
18C-9600-145-CL	275	61322	35919	65137	-	-	-	-	-	-	-	-	-	57590	1753	1753	66357	6695	6695	75124	11636	11636
18C-9600-175-CL	190	61289	35894	65070	-	-	-	62492	4516	4516	88033	18912	18912	113573	29793	33307	126343	34962	40505	139114	40078	47703
18C-9600-185-CL	170	61277	35885	65046	-	-	-	77481	12965	12965	106024	26696	29052	134567	38260	45140	148838	43952	53184	163110	49616	61228
18C-9600-200-CL	145	61257	35871	65005	68167	7715	7715	101526	24825	26517	134885	38388	45320	168244	51651	64122	-	-	-	-	-	-
18C-9600-235-CL	105	61206	35832	64900	118861	31942	36288	164917	50332	62247	-	-	-	-	-	-	-	-	-	-	-	-
18C-9800-145-CL	295	77635	45154	80488	-	-	-	-	-	-	-	-	-	-	-	-	-	-	-	-	-	-
18C-9800-175-CL	200	77602	45130	80421	-	-	-	-	-	-	72744	1122	1122	98285	15517	15517	111055	22715	22715	123825	28839	29913
18C-9800-185-CL	180	77590	45121	80396	-	-	-	-	-	-	90736	11262	11262	119279	26857	27350	133550	32949	35394	147821	38824	43438
18C-9800-200-CL	155	77571	45106	80356	-	-	-	86238	8727	8727	119597	26998	27529	152956	40911	46332	169635	47635	55733	-	-	-
18C-9800-235-CL	110	77519	45068	80250	103573	18498	18498	149629	39559	44457	-	-	-	-	-	-	-	-	-	-	-	-
18C-10500-175-CL	205	86911	50080	87220	-	-	-	-	-	-	-	-	-	91514	5470	5470	104284	12668	12668	117054	19866	19866
18C-10500-185-CL	185	86899	50071	87195	-	-	-	-	-	-	83965	1215	1215	112508	17303	17303	126779	25347	25347	141050	32428	33391
18C-10500-200-CL	160	86880	50056	87155	-	-	-	-	-	-	112826	17482	17482	146185	34634	36285	162864	41593	45686	179544	48393	55087
18C-10500-235-CL	115	86828	50017	87049	96802	8451	8451	142858	33210	34410	-	-	-	-	-	-	-	-	-	-	-	-
18C-11000-175-CL	225	97217	57757	108328	-	-	-	-	-	-	-	-	-	-	-	-	83262	819	819	96032	8017	8017
18C-11000-185-CL	200	97205	57747	108303	-	-	-	-	-	-	-	-	-	91485	5454	5454	105757	13498	13498	120028	21542	21542
18C-11000-200-CL	170	97186	57733	108263	-	-	-	-	-	-	91804	5634	5634	125163	24436	24436	141842	32771	33837	158522	39802	43238
18C-11000-235-CL	125	97134	57695	108157	-	-	-	121836	22561	22561	167892	43654	48520	-	-	-	-	-	-	-	-	-
32C-12000-175-CL	273	112135	63661	106781	-	-	-	-	-	-	-	-	-	-	-	-	118045	4122	4122	133037	12571	12571
32C-12000-200-CL	215	112097	63633	106705	-	-	-	-	-	-	128073	9773	9773	167233	31846	31846	186813	42093	42882	206394	50473	53918

NOTES:

Model 80C is available on request.

- MOP: Maximum Operating Pressure
- BTC: Break to Close
- ETC: End to Close
- RTC: Run to Close
- RTO: Run to Open
- BTO: Break to Open
- ETO: End to Open

Model	MOP (barg)	BTC	RTC	ETC	Operating supply pressure (barg)																	
					170			180			200			220			240			MOT@MOP		
					BTO	RTO	ETO	BTO	RTO	ETO	BTO	RTO	ETO	BTO	RTO	ETO	BTO	RTO	ETO	BTO	RTO	ETO
18C-9600-145-CL	275	61322	35919	65137	83892	16578	16578	92659	21040	21519	110193	28411	31402	127727	35517	41285	145262	42529	51168	175947	54693	68463
18C-9600-175-CL	190	61289	35894	65070	151884	45164	54901	164654	50228	62098	-	-	-	-	-	-	-	-	-	177424	55277	69296
18C-9600-185-CL	170	61277	35885	65046	177381	55260	69272	-	-	-	-	-	-	-	-	-	-	-	-	177381	55260	69272
18C-9600-200-CL	145	61257	35871	65005	-	-	-	-	-	-	-	-	-	-	-	-	-	-	-	176584	54945	68822
18C-9600-235-CL	105	61206	35832	64900	-	-	-	-	-	-	-	-	-	-	-	-	-	-	-	176431	54885	68736
18C-9800-145-CL	295	77635	45154	80488	-	-	-	77370	3729	3729	94905	13612	13612	112439	23495	23495	129973	31452	33378	178193	51060	60556
18C-9800-175-CL	200	77602	45130	80421	136596	34214	37111	149366	39452	44308	174906	49746	58704	-	-	-	-	-	-	174906	49746	58704
18C-9800-185-CL	180	77590	45121	80396	162093	44604	51482	176364	50329	59526	-	-	-	-	-	-	-	-	-	176364	50329	59526
18C-9800-200-CL	155	77571	45106	80356	-	-	-	-	-	-	-	-	-	-	-	-	-	-	-	177975	50973	60434
18C-9800-235-CL	110	77519	45068	80250	-	-	-	-	-	-	-	-	-	-	-	-	-	-	-	172657	48847	57436
18C-10500-175-CL	205	86911	50080	87220	129825	27064	27064	142595	33097	34261	168135	43753	48657	-	-	-	-	-	-	174520	46355	52256
18C-10500-185-CL	185	86899	50071	87195	155322	38475	41435	169593	44349	49479	-	-	-	-	-	-	-	-	-	176729	47252	53501
18C-10500-200-CL	160	86880	50056	87155	-	-	-	-	-	-	-	-	-	-	-	-	-	-	-	179544	48393	55087
18C-10500-235-CL	115	86828	50017	87049	-	-	-	-	-	-	-	-	-	-	-	-	-	-	-	177400	47525	53879
18C-11000-175-CL	225	97217	57757	108328	108802	15215	15215	121573	22412	22412	147113	35028	36808	172654	45597	51204	-	-	-	179039	48189	54802
18C-11000-185-CL	200	97205	57747	108303	134299	29425	29586	148571	35645	37630	177114	47408	53717	-	-	-	-	-	-	177114	47408	53717
18C-11000-200-CL	170	97186	57733	108263	175201	46631	52639	-	-	-	-	-	-	-	-	-	-	-	-	175201	46631	52639
18C-11000-235-CL	125	97134	57695	108157	-	-	-	-	-	-	-	-	-	-	-	-	-	-	-	179406	48338	55010
32C-12000-175-CL	273	112135	63661	106781	148028	21021	21021	163019	29470	29470	193001	44795	46370	222983	57342	63269	252966	69519	80168	312930	93475	113966
32C-12000-200-CL	215	112097	63633	106705	225974	58566	64954	245554	66526	75990	284715	82244	98063	-	-	-	-	-	-	314085	93932	114617

NOTES:

Model 80C is available on request.

- MOT: Maximum Operating Torque
- MOP: Maximum Operating Pressure
- BTC: Break to Close
- RTC: Run to Close
- ETC: End to Close
- BTO: Break to Open
- RTO: Run to Open
- ETO: End to Open

Model	MOP (barg)	BTC	RTC	ETC	Operating supply pressure (barg)																	
					80			100			120			140			150			160		
					BTO	RTO	ETO	BTO	RTO	ETO	BTO	RTO	ETO	BTO	RTO	ETO	BTO	RTO	ETO	BTO	RTO	ETO
32C-12000-235-CL	155	112037	63588	106581	-	-	-	163328	29645	29645	217394	55042	60118	271460	76945	90592	298493	87732	105829	-	-	-
32C-12000-250-CL	135	112008	63566	106521	137698	15198	15198	198886	47311	49686	260074	72377	84175	-	-	-	-	-	-	-	-	-
32C-15000-175-CL	273	130171	75502	133668	-	-	-	-	-	-	-	-	-	-	-	-	-	-	-	-	-	-
32C-15000-200-CL	230	130133	75475	133592	-	-	-	-	-	-	-	-	-	140456	11647	11647	160036	22683	22683	179617	33719	33719
32C-15000-235-CL	165	130073	75429	133467	-	-	-	136551	9446	9446	190617	39919	39919	244683	63448	70393	271716	74421	85630	298749	85271	100867
32C-15000-250-CL	145	130044	75408	133408	-	-	-	172109	29488	29488	233297	58769	63976	294486	83567	98464	-	-	-	-	-	-
50C-15400-200-CL	260	141379	78713	125440	-	-	-	-	-	-	-	-	-	178963	17513	17513	200719	29776	29776	222474	42038	42038
50C-15400-235-CL	190	141312	78662	125303	-	-	-	174623	15067	15067	234697	48927	48927	294770	75334	82787	324807	87579	99716	354844	99675	116646
50C-15400-250-CL	165	141280	78638	125237	-	-	-	214132	37336	37336	282120	70107	75656	350107	97773	113976	384100	111379	133136	418094	124903	152296
50C-15400-300-CL	115	141238	78606	125151	265725	63229	66416	363627	103195	121597	-	-	-	-	-	-	-	-	-	-	-	-
50C-15600-200-CL	270	147674	83458	138334	-	-	-	-	-	-	-	-	-	166121	10275	10275	187877	22538	22538	209633	34800	34800
50C-15600-235-CL	195	147607	83408	138196	-	-	-	161782	7830	7830	221856	41689	41689	281929	70028	75549	311966	82366	92479	342002	94517	109408
50C-15600-250-CL	170	147575	83384	138131	-	-	-	201291	30098	30098	269278	64732	68418	337266	92610	106738	371259	106246	125898	405253	119796	145059
50C-15600-300-CL	120	147533	83352	138045	252884	57706	59178	350785	98045	114359	448687	137029	169540	-	-	-	-	-	-	-	-	-

NOTES:

Model 80C is available on request.

- MOP: Maximum Operating Pressure
- BTC: Break to Close
- ETC: End to Close
- RTC: Run to Close
- RTO: Run to Open
- BTO: Break to Open
- ETO: End to Open

Model	MOP (barg)	BTC	RTC	ETC	Operating supply pressure (barg)																	
					170			180			200			220			240			MOT@MOP		
					BTO	RTO	ETO	BTO	RTO	ETO	BTO	RTO	ETO	BTO	RTO	ETO	BTO	RTO	ETO	BTO	RTO	ETO
32C-12000-235-CL	155	112037	63588	106581	-	-	-	-	-	-	-	-	-	-	-	-	-	-	-	312009	93109	113447
32C-12000-250-CL	135	112008	63566	106521	-	-	-	-	-	-	-	-	-	-	-	-	-	-	-	305966	90706	110041
32C-15000-175-CL	273	130171	75502	133668	121250	822	822	136242	9272	9272	166224	26171	26171	196206	42881	43070	226189	55819	59969	316136	92212	110667
32C-15000-200-CL	230	130133	75475	133592	199197	44244	44756	218777	52712	55792	257938	68848	77864	297098	84611	99937	-	-	-	316679	92428	110973
32C-15000-235-CL	165	130073	75429	133467	-	-	-	-	-	-	-	-	-	-	-	-	-	-	-	312265	90672	108485
32C-15000-250-CL	145	130044	75408	133408	-	-	-	-	-	-	-	-	-	-	-	-	-	-	-	309783	89682	107086
50C-15400-200-CL	260	141379	78713	125440	244230	53857	54300	265986	63340	66563	309498	81364	91088	353010	98939	115613	396522	116322	140137	440033	133599	164662
50C-15400-235-CL	190	141312	78662	125303	384880	111689	133576	414917	123642	150506	-	-	-	-	-	-	-	-	-	444925	141866	167419
50C-15400-250-CL	165	141280	78638	125237	-	-	-	-	-	-	-	-	-	-	-	-	-	-	-	435061	137969	161860
50C-15400-300-CL	115	141238	78606	125151	-	-	-	-	-	-	-	-	-	-	-	-	-	-	-	437053	132418	162982
50C-15600-200-CL	270	147674	83458	138334	231389	47063	47063	253145	57820	59325	296657	76110	83850	340169	93781	108375	383680	111211	132900	448948	137133	169687
50C-15600-235-CL	195	147607	83408	138196	372039	106558	126338	402076	118532	143268	-	-	-	-	-	-	-	-	-	447102	142726	168646
50C-15600-250-CL	170	147575	83384	138131	439246	133287	164219	-	-	-	-	-	-	-	-	-	-	-	-	439217	139611	164202
50C-15600-300-CL	120	147533	83352	138045	-	-	-	-	-	-	-	-	-	-	-	-	-	-	-	448687	137029	169540

NOTES:

Model 80C is available on request.

- MOT: Maximum Operating Torque
- MOP: Maximum Operating Pressure
- BTC: Break to Close
- RTC: Run to Close
- ETC: End to Close
- BTO: Break to Open
- RTO: Run to Open
- ETO: End to Open

OLGAS-H Spring-Return Hydraulic Actuator

Output Torques (Nm) - Canted Yoke Design, Spring to Open

Models 0.3C-008A-20-OP to 0.9C-0700-85-OP

Model	MOP (barg)	BTO	RTO	ETO	Operating supply pressure (barg)																	
					80			100			120			140			150			160		
					BTC	RTC	ETC	BTC	RTC	ETC	BTC	RTC	ETC	BTC	RTC	ETC	BTC	RTC	ETC	BTC	RTC	ETC
0.3C-008A-20-OP	350	385	96	104	-	-	-	122	27	27	173	92	131	223	130	235	249	149	287	274	168	339
0.3C-008A-28-OP	340	383	95	102	265	161	320	364	234	524	464	306	728	564	378	932	613	414	1034	663	450	1136
0.3C-008A-35-OP	215	382	94	102	488	324	778	644	436	1096	800	549	1415	955	661	1734	1033	718	1893	1111	774	2053
0.3C-008B-20-OP	350	583	104	104	-	-	-	-	-	-	-	-	-	-	-	-	237	45	45	263	97	97
0.3C-008B-28-OP	350	580	103	103	253	78	78	353	191	282	452	266	486	552	339	690	602	376	792	652	412	894
0.3C-008B-35-OP	230	579	102	102	477	284	536	632	398	854	788	511	1173	944	624	1492	1022	681	1652	1099	737	1811
0.3C-008C-20-OP	350	699	131	131	-	-	-	-	-	-	-	-	-	-	-	-	-	-	-	-	-	-
0.3C-008C-28-OP	350	696	130	130	-	-	-	320	139	139	420	228	343	519	303	547	569	340	649	619	377	751
0.3C-008C-35-OP	240	695	129	129	444	247	393	599	363	712	755	477	1031	911	590	1349	989	647	1509	1066	703	1668
0.3C-0100-28-OP	350	1116	255	262	-	-	-	-	-	-	-	-	-	368	32	32	418	134	134	468	227	236
0.3C-0100-35-OP	275	1115	254	261	-	-	-	449	197	197	604	333	516	760	449	834	838	507	994	916	564	1153
0.3C-0100-40-OP	210	1112	253	260	482	238	265	685	394	682	889	545	1098	1092	693	1515	1194	767	1723	1295	841	1931
0.3C-0100-45-OP	165	1111	253	259	697	403	706	954	593	1233	1212	780	1760	1469	967	2287	1598	1060	2550	1726	1153	2814
0.3C-0100-50-OP	135	1110	252	258	938	581	1199	1256	812	1850	1573	1043	2501	-	-	-	-	-	-	-	-	-
0.3C-0150-35-OP	295	1400	373	422	-	-	-	-	-	-	434	166	166	589	321	485	667	380	644	745	438	804
0.3C-0150-40-OP	225	1397	372	420	-	-	-	515	264	332	718	418	748	921	568	1165	1023	643	1373	1125	717	1581
0.3C-0150-45-OP	180	1396	371	419	526	273	356	784	467	883	1041	656	1410	1298	843	1937	1427	937	2201	1556	1030	2464
0.3C-0150-50-OP	145	1395	371	419	767	455	850	1085	688	1500	1403	919	2151	1720	1149	2802	-	-	-	-	-	-
0.3C-0150-60-OP	100	1395	371	419	1327	864	1996	1784	1195	2932	-	-	-	-	-	-	-	-	-	-	-	-
0.9C-0200-40-OP	350	1794	463	512	-	-	-	560	165	165	796	432	646	1031	609	1128	1148	696	1368	1266	782	1609

NOTES:

- MOP: Maximum Operating Pressure
- BTC: Break to Close
- ETC: End to Close
- RTC: Run to Close
- RTO: Run to Open
- BTO: Break to Open
- ETO: End to Open

Model	MOP (barg)	BTO	RTO	ETO	Operating supply pressure (barg)																	
					170			180			200			220			240			MOT@MOP		
					BTC	RTC	ETC	BTC	RTC	ETC	BTC	RTC	ETC	BTC	RTC	ETC	BTC	RTC	ETC	BTC	RTC	ETC
0.3C-008A-20-OP	350	385	96	104	300	187	391	325	205	443	376	242	547	427	279	652	478	316	756	757	518	1328
0.3C-008A-28-OP	340	383	95	102	713	486	1238	763	522	1340	862	594	1544	962	666	1748	1062	738	1952	1560	1098	2972
0.3C-008A-35-OP	215	382	94	102	1189	830	2212	1267	886	2372	1422	999	2690	-	-	-	-	-	-	1539	1083	2929
0.3C-008B-20-OP	350	583	104	104	288	141	149	314	161	202	364	200	306	415	238	410	466	276	514	746	480	1086
0.3C-008B-28-OP	350	580	103	103	702	448	996	751	485	1098	851	557	1302	951	629	1506	1050	701	1710	1598	1098	2832
0.3C-008B-35-OP	230	579	102	102	1177	793	1970	1255	850	2130	1411	962	2449	1566	1075	2767	-	-	-	1644	1131	2927
0.3C-008C-20-OP	350	699	131	131	255	7	7	281	59	59	331	160	163	382	200	267	433	239	371	713	446	944
0.3C-008C-28-OP	350	696	130	130	669	414	853	718	450	955	818	523	1159	918	595	1363	1017	667	1568	1565	1064	2690
0.3C-008C-35-OP	240	695	129	129	1144	759	1828	1222	816	1987	1378	928	2306	1533	1041	2625	1689	1154	2943	1689	1154	2943
0.3C-0100-28-OP	350	1116	255	262	518	266	338	568	305	440	667	380	644	767	454	849	866	528	1053	1414	927	2175
0.3C-0100-35-OP	275	1115	254	261	993	621	1313	1071	678	1472	1227	791	1791	1383	904	2110	1538	1017	2428	1811	1214	2986
0.3C-0100-40-OP	210	1112	253	260	1397	915	2139	1499	988	2347	1702	1136	2764	-	-	-	-	-	-	1804	1209	2972
0.3C-0100-45-OP	165	1111	253	259	-	-	-	-	-	-	-	-	-	-	-	-	-	-	-	1791	1200	2946
0.3C-0100-50-OP	135	1110	252	258	-	-	-	-	-	-	-	-	-	-	-	-	-	-	-	1812	1215	2989
0.3C-0150-35-OP	295	1400	373	422	823	496	963	901	553	1122	1056	667	1441	1212	780	1760	1367	893	2079	1796	1204	2956
0.3C-0150-40-OP	225	1397	372	420	1226	791	1789	1328	865	1998	1531	1012	2414	1734	1159	2830	-	-	-	1785	1196	2935
0.3C-0150-45-OP	180	1396	371	419	1684	1123	2728	1813	1216	2991	-	-	-	-	-	-	-	-	-	1813	1216	2991
0.3C-0150-50-OP	145	1395	371	419	-	-	-	-	-	-	-	-	-	-	-	-	-	-	-	1800	1207	2964
0.3C-0150-60-OP	100	1395	371	419	-	-	-	-	-	-	-	-	-	-	-	-	-	-	-	1784	1195	2932
0.9C-0200-40-OP	350	1794	463	512	1383	868	1850	1501	954	2091	1736	1125	2572	1971	1295	3054	2206	1466	3535	3499	2401	6183

NOTES:

- MOT: Maximum Operating Torque
- MOP: Maximum Operating Pressure
- BTC: Break to Close
- RTC: Run to Close
- ETC: End to Close
- BTO: Break to Open
- RTO: Run to Open
- ETO: End to Open

Model	MOP (barg)	BTO	RTO	ETO	Operating supply pressure (barg)																	
					80			100			120			140			150			160		
					BTC	RTC	ETC	BTC	RTC	ETC	BTC	RTC	ETC	BTC	RTC	ETC	BTC	RTC	ETC	BTC	RTC	ETC
0.9C-0200-45-OP	350	1793	462	511	574	193	193	872	490	802	1169	711	1412	1467	929	2021	1615	1037	2326	1764	1145	2630
0.9C-0200-50-OP	295	1791	461	510	853	476	763	1220	749	1516	1587	1017	2268	1955	1284	3020	2138	1417	3396	2322	1550	3773
0.9C-0200-60-OP	205	1792	462	510	1500	953	2088	2029	1337	3172	2557	1720	4255	3086	2103	5338	3351	2294	5880	3615	2485	6422
0.9C-0250-40-OP	350	2152	607	713	-	-	-	-	-	-	581	208	208	816	448	689	934	537	930	1052	624	1171
0.9C-0250-45-OP	350	2150	606	712	-	-	-	658	326	364	955	552	973	1253	773	1582	1401	881	1887	1550	990	2192
0.9C-0250-50-OP	310	2149	606	711	639	310	325	1006	590	1077	1373	861	1829	1741	1128	2582	1924	1262	2958	2108	1395	3334
0.9C-0250-60-OP	215	2150	606	712	1285	797	1650	1814	1182	2733	2343	1565	3816	2872	1948	4900	3137	2139	5441	3401	2331	5983
0.9C-0250-70-OP	155	2149	606	712	2049	1352	3214	2769	1874	4689	3489	2394	6163	4209	2915	7638	4569	3175	8375	-	-	-
0.9C-0350-45-OP	350	3382	882	983	-	-	-	-	-	-	-	-	-	922	72	72	1070	376	376	1219	605	681
0.9C-0350-50-OP	350	3381	882	983	-	-	-	-	-	-	1042	319	319	1410	753	1071	1593	893	1447	1777	1030	1823
0.9C-0350-60-OP	240	3382	882	983	955	139	139	1484	810	1222	2012	1205	2306	2541	1594	3389	2806	1787	3931	3070	1979	4472
0.9C-0350-70-OP	175	3381	882	983	1718	986	1703	2438	1519	3178	3158	2043	4652	3878	2565	6127	4238	2826	6864	4598	3087	7602
0.9C-0350-85-OP	120	3372	878	978	3080	1986	4491	4141	2756	6666	5203	3524	8840	-	-	-	-	-	-	-	-	-
0.9C-0400-50-OP	350	4001	1132	1332	-	-	-	-	-	-	-	-	-	1038	310	310	1222	607	687	1406	750	1063
0.9C-0400-60-OP	255	4001	1133	1332	-	-	-	1112	462	462	1641	929	1545	2170	1322	2629	2435	1516	3170	2699	1709	3712
0.9C-0400-70-OP	185	4001	1132	1332	1347	705	943	2067	1246	2417	2787	1773	3892	3507	2296	5367	3867	2557	6104	4227	2818	6841
0.9C-0400-85-OP	125	3992	1129	1327	2708	1716	3731	3770	2487	5905	4832	3256	8080	-	-	-	-	-	-	-	-	-
0.9C-0700-60-OP	290	5630	1530	1751	-	-	-	-	-	-	-	-	-	1675	631	631	1940	980	1173	2204	1185	1714
0.9C-0700-70-OP	215	5630	1529	1751	-	-	-	1572	420	420	2292	1252	1894	3012	1791	3369	3372	2058	4106	3732	2321	4843
0.9C-0700-85-OP	145	5620	1526	1745	2213	1192	1733	3275	1986	3908	4336	2762	6082	5398	3534	8256	-	-	-	-	-	-

NOTES:

- MOP: Maximum Operating Pressure
- BTC: Break to Close
- ETC: End to Close
- RTC: Run to Close
- RTO: Run to Open
- BTO: Break to Open
- ETO: End to Open

Model	MOP (barg)	BTO	RTO	ETO	Operating supply pressure (barg)																	
					170			180			200			220			240			MOT@MOP		
					BTC	RTC	ETC	BTC	RTC	ETC	BTC	RTC	ETC	BTC	RTC	ETC	BTC	RTC	ETC	BTC	RTC	ETC
0.9C-0200-45-OP	350	1793	462	511	1913	1253	2935	2062	1361	3240	2359	1577	3849	2657	1792	4458	2954	2008	5068	4591	3190	8419
0.9C-0200-50-OP	295	1791	461	510	2506	1683	4149	2689	1816	4525	3057	2081	5277	3424	2347	6030	3791	2613	6782	4801	3342	8851
0.9C-0200-60-OP	205	1792	462	510	3880	2677	6963	4144	2868	7505	4673	3250	8588	-	-	-	-	-	-	4805	3345	8859
0.9C-0250-40-OP	350	2152	607	713	1169	711	1411	1287	798	1652	1522	969	2134	1757	1140	2615	1992	1311	3097	3285	2247	5745
0.9C-0250-45-OP	350	2150	606	712	1699	1098	2496	1848	1206	2801	2145	1422	3411	2443	1637	4020	2740	1853	4629	4377	3036	7981
0.9C-0250-50-OP	310	2149	606	711	2291	1528	3710	2475	1661	4086	2842	1927	4839	3210	2192	5591	3577	2458	6343	4863	3387	8977
0.9C-0250-60-OP	215	2150	606	712	3666	2522	6525	3930	2713	7067	4459	3095	8150	-	-	-	-	-	-	4856	3382	8962
0.9C-0250-70-OP	155	2149	606	712	-	-	-	-	-	-	-	-	-	-	-	-	-	-	-	4749	3305	8744
0.9C-0350-45-OP	350	3382	882	983	1368	721	986	1517	835	1290	1814	1058	1900	2112	1279	2509	2409	1497	3118	4046	2687	6470
0.9C-0350-50-OP	350	3381	882	983	1961	1167	2199	2144	1303	2576	2512	1572	3328	2879	1840	4080	3246	2107	4833	5266	3571	8970
0.9C-0350-60-OP	240	3382	882	983	3335	2171	5014	3599	2363	5556	4128	2746	6639	4657	3129	7722	5186	3512	8806	5186	3512	8806
0.9C-0350-70-OP	175	3381	882	983	4958	3347	8339	-	-	-	-	-	-	-	-	-	-	-	-	5138	3478	8707
0.9C-0350-85-OP	120	3372	878	978	-	-	-	-	-	-	-	-	-	-	-	-	-	-	-	5203	3524	8840
0.9C-0400-50-OP	350	4001	1132	1332	1589	890	1439	1773	1027	1815	2140	1300	2567	2508	1569	3320	2875	1837	4072	4895	3302	8210
0.9C-0400-60-OP	255	4001	1133	1332	2964	1901	4254	3228	2094	4795	3757	2477	5879	4286	2861	6962	4815	3244	8045	5212	3531	8858
0.9C-0400-70-OP	185	4001	1132	1332	4587	3079	7578	4947	3339	8316	-	-	-	-	-	-	-	-	-	5127	3470	8684
0.9C-0400-85-OP	125	3992	1129	1327	-	-	-	-	-	-	-	-	-	-	-	-	-	-	-	5097	3448	8623
0.9C-0700-60-OP	290	5630	1530	1751	2468	1385	2256	2733	1584	2798	3262	1977	3881	3791	2364	4964	4320	2750	6048	5642	3711	8756
0.9C-0700-70-OP	215	5630	1529	1751	4092	2584	5581	4452	2846	6318	5172	3369	7793	-	-	-	-	-	-	5712	3761	8899
0.9C-0700-85-OP	145	5620	1526	1745	-	-	-	-	-	-	-	-	-	-	-	-	-	-	-	5663	3726	8800

NOTES:

- MOT: Maximum Operating Torque
- MOP: Maximum Operating Pressure
- BTC: Break to Close
- RTC: Run to Close
- ETC: End to Close
- BTO: Break to Open
- RTO: Run to Open
- ETO: End to Open

OLGAS-H Spring-Return Hydraulic Actuator

Output Torques (Nm) - Canted Yoke Design, Spring to Open

Models 1.5C-1100-70-OP to 14C-8300-200-OP

Model	MOP (barg)	BTO	RTO	ETO	Operating supply pressure (barg)																	
					80			100			120			140			150			160		
					BTC	RTC	ETC	BTC	RTC	ETC	BTC	RTC	ETC	BTC	RTC	ETC	BTC	RTC	ETC	BTC	RTC	ETC
1.5C-1100-70-OP	295	10249	2381	2466	-	-	-	-	-	-	-	-	-	3388	421	421	3843	1353	1353	4298	2111	2286
1.5C-1100-85-OP	200	10237	2376	2459	-	-	-	3720	1102	1102	5063	2707	3852	6405	3719	6601	7076	4218	7976	7748	4715	9351
1.5C-1100-95-OP	160	10228	2372	2454	3711	1083	1083	5388	2954	4517	7064	4209	7951	8741	5444	11386	9580	6055	13103	10418	6666	14820
1.5C-1100-110-OP	120	10233	2374	2457	5999	3415	5769	8247	5082	10373	10495	6722	14978	-	-	-	-	-	-	-	-	-
1.5C-1200-70-OP	315	11937	3103	3448	-	-	-	-	-	-	-	-	-	-	-	-	-	-	-	3258	215	215
1.5C-1200-85-OP	215	11925	3098	3442	-	-	-	-	-	-	4022	1781	1781	5365	2947	4531	6036	3453	5905	6707	3954	7280
1.5C-1200-95-OP	170	11916	3094	3436	-	-	-	4347	2162	2446	6024	3444	5881	7701	4690	9315	8539	5305	11032	9377	5917	12749
1.5C-1200-110-OP	125	11921	3096	3439	4958	2638	3698	7206	4324	8303	9454	5973	12907	-	-	-	-	-	-	-	-	-
3C-2000-70-OP	330	17595	4813	5534	-	-	-	-	-	-	-	-	-	-	-	-	4930	1466	1466	5683	2789	3009
3C-2000-85-OP	225	17575	4805	5522	-	-	-	4727	1051	1051	6949	3771	5601	9170	5437	10152	10281	6260	12427	11392	7075	14703
3C-2000-95-OP	180	17560	4799	5514	4711	1018	1018	7486	4178	6702	10262	6246	12387	13037	8275	18071	14425	9285	20914	15812	10293	23756
3C-2000-110-OP	135	17568	4802	5518	8498	4937	8774	12219	7678	16395	15940	10385	24017	-	-	-	-	-	-	-	-	-
6C-2500-85-OP	340	25066	7050	8258	-	-	-	-	-	-	6134	1006	1006	8732	4611	6326	10031	5599	8986	11329	6573	11646
6C-2500-95-OP	270	25048	7043	8248	-	-	-	6763	2293	2293	10007	5582	8939	13252	8002	15584	14874	9196	18907	16497	10380	22230
6C-2500-110-OP	200	25058	7047	8253	7945	4000	4715	12295	7293	13625	16646	10489	22535	20996	13654	31445	23171	15232	35900	25346	16810	40355
6C-2500-125-OP	155	25034	7037	8240	13002	7816	15072	18619	11926	26578	24237	16005	38083	29855	20074	49589	32663	22108	55342	-	-	-
6C-2500-135-OP	135	25017	7030	8230	16732	10552	22711	23284	15314	36131	29836	20061	49552	-	-	-	-	-	-	-	-	-
6C-3800-85-OP	350	34023	10203	12473	-	-	-	-	-	-	-	-	-	-	-	-	-	-	-	6766	660	660
6C-3800-95-OP	305	34005	10196	12463	-	-	-	-	-	-	-	-	-	8689	4263	4598	10311	5526	7921	11934	6755	11243
6C-3800-110-OP	225	34015	10200	12468	-	-	-	7732	2639	2639	12083	6866	11549	16433	10096	20459	18608	11686	24914	20783	13270	29369

NOTES:

- MOP: Maximum Operating Pressure
- BTC: Break to Close
- RTC: Run to Close
- ETC: End to Close
- RTO: Run to Open
- BTO: Break to Open
- ETO: End to Open

Model	MOP (barg)	BTO	RTO	ETO	Operating supply pressure (barg)																	
					170			180			200			220			240			MOT@MOP		
					BTC	RTC	ETC	BTC	RTC	ETC	BTC	RTC	ETC	BTC	RTC	ETC	BTC	RTC	ETC	BTC	RTC	ETC
1.5C-1100-70-OP	295	10249	2381	2466	4753	2469	3218	5209	2818	4150	6119	3505	6015	7029	4183	7880	7940	4857	9744	10443	6684	14872
1.5C-1100-85-OP	200	10237	2376	2459	8419	5208	10725	9090	5698	12100	10432	6676	14849	-	-	-	-	-	-	10432	6676	14849
1.5C-1100-95-OP	160	10228	2372	2454	-	-	-	-	-	-	-	-	-	-	-	-	-	-	-	10418	6666	14820
1.5C-1100-110-OP	120	10233	2374	2457	-	-	-	-	-	-	-	-	-	-	-	-	-	-	-	10495	6722	14978
1.5C-1200-70-OP	315	11937	3103	3448	3713	1148	1148	4168	2019	2080	5078	2730	3945	5989	3417	5809	6899	4096	7674	10313	6598	14666
1.5C-1200-85-OP	215	11925	3098	3442	7378	4452	8655	8049	4946	10029	9392	5927	12779	-	-	-	-	-	-	10398	6660	14841
1.5C-1200-95-OP	170	11916	3094	3436	10216	6527	14467	-	-	-	-	-	-	-	-	-	-	-	-	10216	6527	14467
1.5C-1200-110-OP	125	11921	3096	3439	-	-	-	-	-	-	-	-	-	-	-	-	-	-	-	10016	6382	14058
3C-2000-70-OP	330	17595	4813	5534	6437	3379	4553	7190	3954	6096	8697	5085	9182	10204	6203	12268	11711	7308	15355	18491	12237	29243
3C-2000-85-OP	225	17575	4805	5522	12503	7886	16978	13614	8695	19254	15836	10310	23804	18058	11922	28355	-	-	-	18613	12325	29493
3C-2000-95-OP	180	17560	4799	5514	17200	11300	26598	18588	12307	29440	-	-	-	-	-	-	-	-	-	18588	12307	29440
3C-2000-110-OP	135	17568	4802	5518	-	-	-	-	-	-	-	-	-	-	-	-	-	-	-	18731	12410	29733
6C-2500-85-OP	340	25066	7050	8258	12628	7539	14307	13927	8501	16967	16524	10400	22287	19122	12292	27607	21720	14179	32927	34707	23586	59528
6C-2500-95-OP	270	25048	7043	8248	18119	11562	25553	19741	12742	28876	22986	15098	35522	26231	17450	42167	29476	19800	48813	34343	23322	58781
6C-2500-110-OP	200	25058	7047	8253	27521	18385	44810	29696	19960	49265	34047	23108	58175	-	-	-	-	-	-	34047	23108	58175
6C-2500-125-OP	155	25034	7037	8240	-	-	-	-	-	-	-	-	-	-	-	-	-	-	-	34068	23123	58218
6C-2500-135-OP	135	25017	7030	8230	-	-	-	-	-	-	-	-	-	-	-	-	-	-	-	34750	23617	59617
6C-3800-85-OP	350	34023	10203	12473	8065	3320	3320	9364	4796	5980	11961	6776	11300	14559	8712	16620	17156	10626	21941	31443	21005	51202
6C-3800-95-OP	305	34005	10196	12463	13556	7967	14566	15178	9171	17889	18423	11551	24535	21668	13914	31180	24912	16271	37826	35458	23912	59425
6C-3800-110-OP	225	34015	10200	12468	22958	14853	33824	25133	16431	38279	29484	19586	47189	33834	22736	56099	-	-	-	34921	23524	58326

NOTES:

- MOT: Maximum Operating Torque
- MOP: Maximum Operating Pressure
- BTC: Break to Close
- RTC: Run to Close
- ETC: End to Close
- BTO: Break to Open
- RTO: Run to Open
- ETO: End to Open

Model	MOP (barg)	BTO	RTO	ETO	Operating supply pressure (barg)																	
					80			100			120			140			150			160		
					BTC	RTC	ETC	BTC	RTC	ETC	BTC	RTC	ETC	BTC	RTC	ETC	BTC	RTC	ETC	BTC	RTC	ETC
6C-3800-125-OP	175	33991	10190	12455	8439	4062	4085	14056	8339	15591	19674	12463	27097	25291	16546	38602	28100	18584	44355	30909	20618	50108
6C-3800-135-OP	150	33974	10184	12445	12169	6931	11724	18721	11768	25145	25273	16533	38565	31825	21282	51985	35102	23654	58695	-	-	-
14C-5100-95-OP	322	40803	12294	15077	-	-	-	-	-	-	-	-	-	7890	565	565	9663	4197	4197	11437	5956	7829
14C-5100-110-OP	345	40813	12298	15083	-	-	-	-	-	-	11599	6081	8162	16354	9665	17900	18731	11426	22770	21109	13167	27639
14C-5100-125-OP	270	40788	12288	15068	7617	5	5	13757	7722	12580	19896	12280	25156	26036	16756	37731	29106	18986	44018	32176	21214	50306
14C-5100-135-OP	230	40769	12281	15058	11693	6154	8354	18855	11517	23022	26016	16742	37690	33178	21940	52358	36758	24534	59691	40339	27127	67025
14C-5100-145-OP	200	40786	12288	15068	16104	9478	17388	24366	15541	34309	32627	21541	51230	40889	27525	68152	45020	30515	76612	49151	33501	85073
14C-5100-175-OP	135	40734	12267	15038	31165	20480	48235	43199	29197	72882	55233	37899	97530	-	-	-	-	-	-	-	-	-
14C-5100-200-OP	105	40683	12247	15010	45872	31131	78359	61590	42495	110552	-	-	-	-	-	-	-	-	-	-	-	-
14C-5400-110-OP	350	52617	15045	17819	-	-	-	-	-	-	-	-	-	13051	3422	3422	15428	7596	8291	17805	9451	13160
14C-5400-125-OP	290	52591	15035	17804	-	-	-	-	-	-	16593	8513	10677	22733	13171	23252	25802	15453	29540	28872	17721	35828
14C-5400-135-OP	250	52573	15028	17794	-	-	-	15551	7694	8543	22713	13156	23211	29874	18455	37879	33455	21070	45213	37035	23678	52547
14C-5400-145-OP	215	52590	15035	17804	12800	2909	2909	21062	11920	19831	29324	18052	36752	37585	24078	53673	41716	27081	62134	45847	30079	70594
14C-5400-175-OP	145	52538	15014	17774	27861	16978	33756	39895	25758	58404	51929	34489	83051	63963	43203	107699	-	-	-	-	-	-
14C-5400-185-OP	130	52519	15006	17763	33509	21109	45324	46957	30884	72869	60406	40627	100414	-	-	-	-	-	-	-	-	-
14C-5400-200-OP	110	52487	14993	17746	42569	27700	63880	58287	39093	96073	-	-	-	-	-	-	-	-	-	-	-	-
14C-8300-125-OP	320	67452	19448	23161	-	-	-	-	-	-	-	-	-	16735	5024	5024	19805	9885	11312	22875	12266	17600
14C-8300-135-OP	275	67433	19441	23150	-	-	-	-	-	-	16715	4983	4983	23877	13029	19651	27458	15727	26985	31038	18398	34319
14C-8300-145-OP	235	67451	19448	23161	-	-	-	15065	1603	1603	23327	12611	18524	31588	18805	35445	35719	21862	43906	39850	24884	52367
14C-8300-175-OP	160	67399	19427	23131	21864	11490	15528	33898	20518	40176	45932	29317	64823	57966	38059	89471	63983	42423	101795	70000	46780	114119
14C-8300-185-OP	145	67379	19419	23120	27512	15768	27096	40960	25694	54641	54409	35478	82186	67857	45229	109731	-	-	-	-	-	-
14C-8300-200-OP	125	67348	19407	23102	36572	22487	45652	52290	33940	77845	68007	45338	110038	-	-	-	-	-	-	-	-	-

NOTES:

- MOP: Maximum Operating Pressure
- BTC: Break to Close
- ETC: End to Close
- RTC: Run to Close
- RTO: Run to Open
- BTO: Break to Open
- ETO: End to Open

Model	MOP (barg)	BTO	RTO	ETO	Operating supply pressure (barg)																	
					170			180			200			220			240			MOT@MOP		
					BTC	RTC	ETC	BTC	RTC	ETC	BTC	RTC	ETC	BTC	RTC	ETC	BTC	RTC	ETC	BTC	RTC	ETC
6C-3800-125-OP	175	33991	10190	12455	33718	22652	55861	-	-	-	-	-	-	-	-	-	-	-	-	35122	23669	58737
6C-3800-135-OP	150	33974	10184	12445	-	-	-	-	-	-	-	-	-	-	-	-	-	-	-	35102	23654	58695
14C-5100-95-OP	322	40803	12294	15077	13210	7310	11460	14983	8642	15092	18529	11276	22356	22076	13872	29619	25622	16455	36882	45127	30592	76832
14C-5100-110-OP	345	40813	12298	15083	23486	14901	32508	25863	16630	37377	30618	20083	47115	35373	23531	56854	40127	26973	66592	65089	45025	117718
14C-5100-125-OP	270	40788	12288	15068	35246	23439	56594	38316	25662	62881	44455	30107	75457	50595	34546	88032	56735	38985	100607	65945	45643	119470
14C-5100-135-OP	230	40769	12281	15058	43920	29719	74359	47500	32308	81693	54662	37486	96361	61823	42664	111029	-	-	-	65404	45252	118363
14C-5100-145-OP	200	40786	12288	15068	53281	36488	93534	57412	39475	101994	65674	45447	118916	-	-	-	-	-	-	65674	45447	118916
14C-5100-175-OP	135	40734	12267	15038	-	-	-	-	-	-	-	-	-	-	-	-	-	-	-	64258	44424	116016
14C-5100-200-OP	105	40683	12247	15010	-	-	-	-	-	-	-	-	-	-	-	-	-	-	-	65520	45336	118600
14C-5400-110-OP	350	52617	15045	17819	20182	11257	18029	22560	13042	22898	27314	16574	32637	32069	20059	42375	36824	23524	52113	62974	42487	105674
14C-5400-125-OP	290	52591	15035	17804	31942	19966	42115	35012	22206	48403	41152	26672	60978	47292	31127	73553	53431	35577	86129	68781	46688	117567
14C-5400-135-OP	250	52573	15028	17794	40616	26283	59881	44197	28881	67215	51358	34076	81882	58520	39261	96550	65681	44447	111218	69262	47036	118552
14C-5400-145-OP	215	52590	15035	17804	49978	33076	79055	54109	36067	87516	62370	42050	104437	-	-	-	-	-	-	68567	46533	117128
14C-5400-175-OP	145	52538	15014	17774	-	-	-	-	-	-	-	-	-	-	-	-	-	-	-	66971	45380	113861
14C-5400-185-OP	130	52519	15006	17763	-	-	-	-	-	-	-	-	-	-	-	-	-	-	-	67130	45495	114186
14C-5400-200-OP	110	52487	14993	17746	-	-	-	-	-	-	-	-	-	-	-	-	-	-	-	66146	44783	112169
14C-8300-125-OP	320	67452	19448	23161	25945	14592	23887	29015	16891	30175	35155	21446	42750	41295	25938	55325	47434	30410	67901	71993	48224	118202
14C-8300-135-OP	275	67433	19441	23150	34619	21051	41653	38200	23679	48987	45361	28902	63654	52523	34109	78322	59684	39306	92990	72216	48385	118659
14C-8300-145-OP	235	67451	19448	23161	43981	27898	60827	48112	30903	69288	56373	36903	86209	64635	42896	103130	-	-	-	70831	47382	115821
14C-8300-175-OP	160	67399	19427	23131	-	-	-	-	-	-	-	-	-	-	-	-	-	-	-	70000	46780	114119
14C-8300-185-OP	145	67379	19419	23120	-	-	-	-	-	-	-	-	-	-	-	-	-	-	-	71220	47664	116617
14C-8300-200-OP	125	67348	19407	23102	-	-	-	-	-	-	-	-	-	-	-	-	-	-	-	71937	48183	118086

NOTES:

- MOT: Maximum Operating Torque
- MOP: Maximum Operating Pressure
- BTC: Break to Close
- RTC: Run to Close
- ETC: End to Close
- BTO: Break to Open
- RTO: Run to Open
- ETO: End to Open

OLGAS-H Spring-Return Hydraulic Actuator

Output Torques (Nm) - Canted Yoke Design, Spring to Open

Models 18C-9600-145-OP to 50C-15600-300-OP

Model	MOP (barg)	BTO	RTO	ETO	Operating supply pressure (barg)																	
					80			100			120			140			150			160		
					BTC	RTC	ETC	BTC	RTC	ETC	BTC	RTC	ETC	BTC	RTC	ETC	BTC	RTC	ETC	BTC	RTC	ETC
18C-9600-145-OP	320	107095	27137	29656	-	-	-	-	-	-	-	-	-	31738	4546	4546	36489	14275	14275	41239	20672	24005
18C-9600-175-OP	215	107035	27112	29622	-	-	-	34395	9986	9986	48234	26081	38331	62073	36478	66675	68992	41615	80848	75912	46714	95020
18C-9600-185-OP	195	107012	27103	29609	-	-	-	42516	21675	26621	57982	33428	58297	73448	44909	89974	81181	50569	105812	88914	56211	121650
18C-9600-200-OP	165	106976	27088	29589	37470	16284	16284	55545	31602	53306	73621	45036	90327	91696	58239	127349	100734	64813	145859	109772	71381	164370
18C-9600-235-OP	120	106881	27049	29535	64938	38608	72544	89893	56926	123657	114849	75065	174769	-	-	-	-	-	-	-	-	-
18C-9800-145-OP	350	135595	33799	36547	-	-	-	-	-	-	-	-	-	-	-	-	-	-	-	-	-	-
18C-9800-175-OP	240	135535	33774	36513	-	-	-	-	-	-	39984	3372	3372	53823	27055	31716	60742	32419	45889	67662	37675	60061
18C-9800-185-OP	215	135513	33765	36500	-	-	-	-	-	-	49732	23338	23338	65198	35813	55015	72931	41637	70853	80664	47411	86692
18C-9800-200-OP	185	135477	33750	36480	-	-	-	47295	18347	18347	65371	35943	55368	83446	49481	92390	92484	56179	110901	101522	62817	129411
18C-9800-235-OP	135	135381	33710	36426	56688	29294	37585	81643	48141	88698	106599	66526	139811	-	-	-	-	-	-	-	-	-
18C-10500-175-OP	260	158149	39647	43028	-	-	-	-	-	-	-	-	-	46270	3979	3979	53189	18151	18151	60109	29600	32323
18C-10500-185-OP	235	158126	39638	43015	-	-	-	-	-	-	-	-	-	57645	27277	27277	65378	33742	43116	73111	39682	58954
18C-10500-200-OP	200	158090	39623	42995	-	-	-	-	-	-	57818	27631	27631	75893	41794	64652	84931	48596	83163	93969	55342	101674
18C-10500-235-OP	145	157995	39583	42941	49135	9847	9847	74090	40425	60960	99046	59112	112073	124001	77466	163186	-	-	-	-	-	-
18C-11000-175-OP	273	177169	47431	53749	-	-	-	-	-	-	-	-	-	-	-	-	-	-	-	48718	8993	8993
18C-11000-185-OP	244	177146	47422	53736	-	-	-	-	-	-	-	-	-	46254	3947	3947	53987	19785	19785	61720	30879	35624
18C-11000-200-OP	210	177110	47407	53715	-	-	-	-	-	-	46427	4300	4300	64502	33060	41322	73540	40008	59833	82578	46832	78343
18C-11000-235-OP	155	177015	47368	53662	-	-	-	62700	31649	37630	87655	50637	88743	112610	69136	139855	125088	78259	165412	-	-	-
32C-12000-175-OP	273	201417	48382	51113	-	-	-	-	-	-	-	-	-	-	-	-	60962	1971	1971	69085	18608	18608
32C-12000-200-OP	260	201349	48353	51074	-	-	-	-	-	-	66395	13099	13099	87614	44987	56559	98224	53153	78289	108833	61180	100020

NOTES:

Model 80C is available on request.

- MOP: Maximum Operating Pressure
- BTC: Break to Close
- ETC: End to Close
- RTC: Run to Close
- RTO: Run to Open
- BTO: Break to Open
- ETO: End to Open

Model	MOP (barg)	BTO	RTO	ETO	Operating supply pressure (barg)																	
					170			180			200			220			240			MOT@MOP		
					BTC	RTC	ETC	BTC	RTC	ETC	BTC	RTC	ETC	BTC	RTC	ETC	BTC	RTC	ETC	BTC	RTC	ETC
18C-9600-145-OP	320	107095	27137	29656	45990	24365	33735	50740	27984	43465	60241	35113	62924	69742	42171	82383	79243	49154	101843	117247	76805	179681
18C-9600-175-OP	215	107035	27112	29622	82831	51773	109192	89751	56822	123365	103590	66891	151709	-	-	-	-	-	-	113969	74427	172968
18C-9600-185-OP	195	107012	27103	29609	96647	61840	137489	104380	67466	153327	-	-	-	-	-	-	-	-	-	115979	75885	177084
18C-9600-200-OP	165	106976	27088	29589	-	-	-	-	-	-	-	-	-	-	-	-	-	-	-	114290	74660	173626
18C-9600-235-OP	120	106881	27049	29535	-	-	-	-	-	-	-	-	-	-	-	-	-	-	-	114849	75065	174769
18C-9800-145-OP	350	135595	33799	36547	-	-	-	42490	8506	8506	51991	25604	27965	61492	32992	47425	70993	40185	66884	123248	78663	173911
18C-9800-175-OP	240	135535	33774	36513	74581	42873	74233	81501	48035	88406	95340	58288	116750	109179	68409	145095	123018	78495	173440	123018	78495	173440
18C-9800-185-OP	215	135513	33765	36500	88397	53152	102530	96130	58868	118368	111596	70172	150045	-	-	-	-	-	-	123195	78624	173802
18C-9800-200-OP	185	135477	33750	36480	110559	69416	147922	119597	76006	166433	-	-	-	-	-	-	-	-	-	124116	79294	175688
18C-9800-235-OP	135	135381	33710	36426	-	-	-	-	-	-	-	-	-	-	-	-	-	-	-	125316	80166	178145
18C-10500-175-OP	260	158149	39647	43028	67028	35020	46496	73948	40317	60668	87787	50736	89013	101626	61025	117357	115465	71227	145702	129304	81335	174047
18C-10500-185-OP	235	158126	39638	43015	80844	45530	74792	88577	51324	90630	104043	62817	122307	119508	74187	153984	-	-	-	131108	82651	177741
18C-10500-200-OP	200	158090	39623	42995	103006	62049	120184	112044	68722	138695	130119	81930	175717	-	-	-	-	-	-	130119	81930	175717
18C-10500-235-OP	145	157995	39583	42941	-	-	-	-	-	-	-	-	-	-	-	-	-	-	-	130240	82018	175964
18C-11000-175-OP	273	177169	47431	53749	55638	23165	23165	62557	31537	37338	76396	42176	65682	90235	52560	94027	104074	62840	122372	131752	83122	179061
18C-11000-185-OP	244	177146	47422	53736	69453	36888	51462	77186	42772	67300	92652	54360	98977	108118	65831	130653	123583	77161	162330	131316	82804	178168
18C-11000-200-OP	210	177110	47407	53715	91615	53588	96854	100653	60304	115365	118729	73617	152387	-	-	-	-	-	-	127766	80213	170897
18C-11000-235-OP	155	177015	47368	53662	-	-	-	-	-	-	-	-	-	-	-	-	-	-	-	131327	82811	178190
32C-12000-175-OP	273	201417	48382	51113	77208	35245	35245	85331	43202	51882	101577	55698	85156	117822	67923	118431	134068	80015	151705	215297	139412	318076
32C-12000-200-OP	260	201349	48353	51074	119443	69134	121750	130052	77037	143480	151271	92735	186940	172490	108246	230400	193709	123707	273860	214928	139143	317320

NOTES:

Model 80C is available on request.

- MOT: Maximum Operating Torque
- MOP: Maximum Operating Pressure
- BTC: Break to Close
- RTC: Run to Close
- ETC: End to Close
- BTO: Break to Open
- RTO: Run to Open
- ETO: End to Open

Model	MOP (barg)	BTO	RTO	ETO	Operating supply pressure (barg)																	
					80			100			120			140			150			160		
					BTC	RTC	ETC	BTC	RTC	ETC	BTC	RTC	ETC	BTC	RTC	ETC	BTC	RTC	ETC	BTC	RTC	ETC
32C-12000-235-OP	185	201237	48306	51011	-	-	-	85498	43334	52225	114794	65653	112227	144089	87442	172229	158737	98203	202230	173385	108898	232232
32C-12000-250-OP	160	201183	48284	50981	71611	23781	23781	104765	58113	91687	137920	82871	159594	171075	107213	227500	187652	119301	261453	204229	131360	295407
32C-15000-175-OP	273	234257	59165	64517	-	-	-	-	-	-	-	-	-	-	-	-	-	-	-	-	-	-
32C-15000-200-OP	275	234188	59137	64478	-	-	-	-	-	-	-	-	-	72856	16278	16278	83466	38008	38008	94075	48118	59738
32C-15000-235-OP	200	234076	59091	64415	-	-	-	70740	11944	11944	100035	52734	71946	129331	74877	131948	143979	85776	161949	158626	96625	191950
32C-15000-250-OP	175	234023	59069	64385	-	-	-	90007	44922	51406	123162	70258	119313	156316	94920	187219	172894	107094	221172	189471	119195	255126
50C-15400-200-OP	315	253541	57993	59548	-	-	-	-	-	-	-	-	-	92958	26266	26266	104747	50354	50411	116535	59710	74555
50C-15400-235-OP	225	253417	57939	59478	-	-	-	90607	21451	21451	123157	64840	88120	155708	89478	154789	171983	101617	188123	188259	113688	221458
50C-15400-250-OP	200	253357	57913	59445	-	-	-	112015	56168	65298	148853	84342	140749	185692	111785	216201	204111	125376	253927	222531	138847	291652
50C-15400-300-OP	140	253280	57879	59401	139970	77651	122555	193018	117210	231205	246065	156020	339855	299113	194590	448506	-	-	-	-	-	-
50C-15600-200-OP	320	265159	62988	66097	-	-	-	-	-	-	-	-	-	86000	12015	12015	97789	36160	36160	109577	54235	60304
50C-15600-235-OP	230	265035	62936	66027	-	-	-	83649	7200	7200	116199	59449	73869	148750	84264	140538	165025	96433	173872	181301	108529	207207
50C-15600-250-OP	205	264976	62910	65993	-	-	-	105057	50606	51046	141895	79102	126498	178734	106625	201950	197153	120263	239675	215573	133770	277401
50C-15600-300-OP	140	264898	62877	65950	133012	72377	108304	186060	112057	216954	239107	150943	325604	292155	189541	434255	-	-	-	-	-	-

NOTES:

Model 80C is available on request.

- MOP: Maximum Operating Pressure
- BTC: Break to Close
- ETC: End to Close
- RTC: Run to Close
- RTO: Run to Open
- BTO: Break to Open
- ETO: End to Open

Model	MOP (barg)	BTO	RTO	ETO	Operating supply pressure (barg)																	
					170			180			200			220			240			MOT@MOP		
					BTC	RTC	ETC	BTC	RTC	ETC	BTC	RTC	ETC	BTC	RTC	ETC	BTC	RTC	ETC	BTC	RTC	ETC
32C-12000-235-OP	185	201237	48306	51011	188032	119578	262233	202680	130233	292234	-	-	-	-	-	-	-	-	-	210016	135982	307258
32C-12000-250-OP	160	201183	48284	50981	-	-	-	-	-	-	-	-	-	-	-	-	-	-	-	204229	131360	295407
32C-15000-175-OP	273	234257	59165	64517	-	-	-	70573	11601	11601	86818	42381	44875	103064	55058	78150	119310	67371	111424	208662	133177	294432
32C-15000-200-OP	275	234188	59137	64478	104685	56297	81468	115294	64343	103199	136513	80228	146659	157732	95965	190119	178951	111519	233579	216097	138942	309660
32C-15000-235-OP	200	234076	59091	64415	173274	107373	221951	187922	118065	251953	217217	139401	311955	-	-	-	-	-	-	217217	139401	311955
32C-15000-250-OP	175	234023	59069	64385	206049	131276	289079	-	-	-	-	-	-	-	-	-	-	-	-	214337	137305	306055
50C-15400-200-OP	315	253541	57993	59548	128323	68802	98700	140112	77757	122845	163688	95436	171134	187265	112951	219423	210842	130306	267712	299254	194692	448795
50C-15400-235-OP	225	253417	57939	59478	204534	125686	254792	220809	137591	288127	253360	161326	354796	285910	185005	421465	-	-	-	294064	191597	438164
50C-15400-250-OP	200	253357	57913	59445	240950	152288	329378	259369	165698	367104	296208	192482	442556	-	-	-	-	-	-	296224	193185	442588
50C-15400-300-OP	140	253280	57879	59401	-	-	-	-	-	-	-	-	-	-	-	-	-	-	-	299129	195322	448538
50C-15600-200-OP	320	265159	62988	66097	121365	63458	84449	133154	72484	108593	156730	90244	156882	180307	107792	205171	203884	125210	253460	298206	194644	446649
50C-15600-235-OP	230	265035	62936	66027	197576	120575	240541	213851	132510	273876	246402	156265	340545	278952	179943	407214	-	-	-	295243	192465	440581
50C-15600-250-OP	205	264976	62910	65993	233992	147210	315127	252411	160636	352853	289250	187433	428304	-	-	-	-	-	-	298475	194842	447200
50C-15600-300-OP	140	264898	62877	65950	-	-	-	-	-	-	-	-	-	-	-	-	-	-	-	292171	190204	434287

NOTES:

Model 80C is available on request.

- MOT: Maximum Operating Torque
- MOP: Maximum Operating Pressure
- BTC: Break to Close
- RTC: Run to Close
- ETC: End to Close
- BTO: Break to Open
- RTO: Run to Open
- ETO: End to Open

OLGAS-H Spring-Return Hydraulic Actuator

Output Torques (Nm) - Symmetric Yoke Design, Spring to Close

Models 0.3S-008A-20-CL to 0.9S-0700-85-CL

Model	MOP (barg)	BTC	RTC	ETC	Operating supply pressure (barg)																	
					80			100			120			140			150			160		
					BTO	RTO	ETO	BTO	RTO	ETO	BTO	RTO	ETO	BTO	RTO	ETO	BTO	RTO	ETO	BTO	RTO	ETO
0.3S-008A-20-CL	350	257	115	142	-	-	-	142	24	24	201	85	92	260	124	159	289	143	193	319	162	226
0.3S-008A-28-CL	350	256	114	140	308	155	214	423	229	346	538	303	478	654	377	610	711	413	676	769	450	742
0.3S-008A-35-CL	320	255	114	140	566	321	510	747	436	716	927	550	922	1107	665	1129	1198	722	1232	1288	779	1335
0.3S-008B-20-CL	350	392	151	155	-	-	-	-	-	-	-	-	-	247	9	9	276	43	43	306	77	77
0.3S-008B-28-CL	350	391	150	153	295	64	64	410	177	196	526	253	328	641	328	460	699	366	526	756	403	592
0.3S-008B-35-CL	335	390	150	153	554	272	360	734	388	566	914	504	773	1095	619	979	1185	676	1082	1275	733	1185
0.3S-008C-20-CL	350	470	184	193	-	-	-	-	-	-	-	-	-	-	-	-	-	-	-	-	-	-
0.3S-008C-28-CL	350	468	183	191	-	-	-	373	107	107	488	212	239	604	289	371	661	327	437	719	364	503
0.3S-008C-35-CL	340	467	183	190	516	231	271	697	350	477	877	466	683	1057	581	890	1147	639	993	1238	696	1096
0.3S-0100-28-CL	350	749	319	369	-	-	-	-	-	-	-	-	-	428	43	43	486	109	109	544	175	175
0.3S-0100-35-CL	350	748	318	368	-	-	-	521	149	149	702	310	356	882	429	562	972	488	665	1062	546	768
0.3S-0100-40-CL	285	746	317	366	560	194	194	796	372	463	1031	526	732	1267	677	1002	1384	753	1136	1502	828	1271
0.3S-0100-45-CL	225	745	316	365	809	381	479	1107	575	820	1405	766	1160	1704	957	1501	1853	1052	1672	2002	1146	1842
0.3S-0100-50-CL	180	745	316	364	1088	563	798	1456	799	1219	1824	1034	1640	2192	1268	2060	2376	1385	2271	2560	1501	2481
0.3S-0150-35-CL	350	934	437	569	-	-	-	-	-	-	504	129	129	684	298	336	774	358	439	865	418	542
0.3S-0150-40-CL	300	932	435	567	-	-	-	598	237	237	833	397	506	1069	550	775	1187	626	910	1304	702	1045
0.3S-0150-45-CL	240	931	435	565	612	247	252	910	447	593	1208	640	934	1506	830	1275	1655	926	1446	1804	1021	1616
0.3S-0150-50-CL	190	931	434	565	891	435	572	1259	672	992	1627	908	1413	1995	1142	1834	2179	1259	2045	2363	1376	2255
0.3S-0150-60-CL	135	931	435	565	1539	851	1313	2069	1189	1919	2598	1526	2525	-	-	-	-	-	-	-	-	-
0.9S-0200-40-CL	350	1240	574	739	-	-	-	608	87	87	881	370	399	1153	553	710	1289	642	866	1425	730	1022

NOTES:

- MOP: Maximum Operating Pressure
- BTC: Break to Close
- ETC: End to Close
- RTC: Run to Close
- RTO: Run to Open
- BTO: Break to Open
- ETO: End to Open

Model	MOP (barg)	BTC	RTC	ETC	Operating supply pressure (barg)																	
					170			180			200			220			240			MOT@MOP		
					BTO	RTO	ETO	BTO	RTO	ETO	BTO	RTO	ETO	BTO	RTO	ETO	BTO	RTO	ETO	BTO	RTO	ETO
0.3S-008A-20-CL	350	257	115	142	348	181	260	377	200	294	436	238	361	495	276	428	554	313	496	878	519	866
0.3S-008A-28-CL	350	256	114	140	827	487	808	885	523	874	1000	596	1006	1115	670	1138	1231	743	1270	1865	1146	1996
0.3S-008A-35-CL	320	255	114	140	1378	836	1438	1468	893	1541	1648	1008	1747	1829	1122	1953	2009	1237	2160	2730	1694	2985
0.3S-008B-20-CL	350	392	151	155	335	110	110	365	144	144	424	186	211	482	225	279	541	264	346	865	472	716
0.3S-008B-28-CL	350	391	150	153	814	440	658	872	476	724	987	550	856	1103	624	988	1218	697	1120	1853	1100	1846
0.3S-008B-35-CL	335	390	150	153	1365	791	1288	1455	848	1391	1636	963	1598	1816	1077	1804	1996	1192	2010	2853	1735	2990
0.3S-008C-20-CL	350	470	184	193	298	21	21	327	55	55	386	122	122	445	182	190	504	223	257	828	434	627
0.3S-008C-28-CL	350	468	183	191	777	401	569	834	439	635	950	513	767	1065	586	899	1181	660	1031	1815	1064	1757
0.3S-008C-35-CL	340	467	183	190	1328	754	1199	1418	811	1302	1598	926	1508	1778	1040	1714	1959	1155	1921	2860	1727	2952
0.3S-0100-28-CL	350	749	319	369	602	240	241	659	281	307	775	358	439	890	434	571	1005	509	703	1640	916	1429
0.3S-0100-35-CL	350	748	318	368	1153	604	871	1243	662	974	1423	778	1180	1603	893	1387	1784	1008	1593	2775	1638	2727
0.3S-0100-40-CL	285	746	317	366	1620	903	1406	1738	978	1540	1973	1128	1810	2209	1278	2079	2444	1428	2348	2974	1764	2954
0.3S-0100-45-CL	225	745	316	365	2151	1241	2013	2300	1336	2183	2598	1525	2524	2896	1714	2865	-	-	-	2970	1762	2950
0.3S-0100-50-CL	180	745	316	364	2744	1618	2692	2928	1735	2902	-	-	-	-	-	-	-	-	-	2928	1735	2902
0.3S-0150-35-CL	350	934	437	569	955	476	645	1045	535	748	1225	651	954	1406	766	1160	1586	882	1367	2578	1512	2501
0.3S-0150-40-CL	300	932	435	567	1422	777	1180	1540	852	1314	1775	1002	1584	2011	1152	1853	2246	1302	2122	2953	1751	2930
0.3S-0150-45-CL	240	931	435	565	1953	1115	1786	2102	1210	1957	2400	1400	2298	2698	1589	2639	2996	1778	2980	2996	1778	2980
0.3S-0150-50-CL	190	931	434	565	2547	1493	2465	2731	1610	2676	-	-	-	-	-	-	-	-	-	2915	1726	2886
0.3S-0150-60-CL	135	931	435	565	-	-	-	-	-	-	-	-	-	-	-	-	-	-	-	2996	1778	2979
0.9S-0200-40-CL	350	1240	574	739	1561	818	1177	1698	905	1333	1970	1079	1644	2242	1253	1956	2515	1427	2267	4012	2379	3980

NOTES:

- MOT: Maximum Operating Torque
- MOP: Maximum Operating Pressure
- BTC: Break to Close
- RTC: Run to Close
- ETC: End to Close
- BTO: Break to Open
- RTO: Run to Open
- ETO: End to Open

Model	MOP (barg)	BTC	RTC	ETC	Operating supply pressure (barg)																	
					80			100			120			140			150			160		
					BTO	RTO	ETO	BTO	RTO	ETO	BTO	RTO	ETO	BTO	RTO	ETO	BTO	RTO	ETO	BTO	RTO	ETO
0.9S-0200-45-CL	350	1239	573	738	624	105	105	969	431	500	1314	658	894	1658	880	1288	1830	990	1485	2003	1100	1682
0.9S-0200-50-CL	350	1238	573	737	947	416	474	1372	696	961	1798	969	1448	2223	1241	1934	2436	1377	2178	2649	1512	2421
0.9S-0200-60-CL	295	1238	573	738	1696	904	1331	2309	1296	2032	2922	1686	2733	3534	2075	3434	3841	2270	3784	4147	2464	4134
0.9S-0250-40-CL	350	1473	720	991	-	-	-	-	-	-	633	115	115	905	387	426	1041	479	582	1177	569	738
0.9S-0250-45-CL	350	1472	719	990	-	-	-	721	216	216	1066	495	610	1410	720	1004	1582	831	1201	1755	942	1398
0.9S-0250-50-CL	350	1471	719	989	699	191	191	1124	534	677	1550	810	1164	1975	1083	1651	2188	1219	1894	2401	1354	2137
0.9S-0250-60-CL	305	1472	719	989	1448	745	1048	2061	1138	1749	2674	1528	2449	3286	1918	3150	3593	2112	3500	3899	2307	3851
0.9S-0250-70-CL	225	1471	719	989	2333	1311	2060	3167	1842	3013	4001	2371	3967	4835	2901	4921	5252	3166	5398	5669	3430	5875
0.9S-0350-45-CL	350	2335	1089	1414	-	-	-	-	-	-	-	-	-	992	10	10	1164	207	207	1336	404	404
0.9S-0350-50-CL	350	2334	1088	1413	-	-	-	-	-	-	1131	170	170	1557	635	656	1769	782	900	1982	924	1143
0.9S-0350-60-CL	335	2335	1089	1414	1030	53	53	1642	695	754	2255	1103	1455	2868	1500	2156	3174	1697	2506	3480	1893	2856
0.9S-0350-70-CL	245	2334	1089	1414	1914	879	1065	2748	1423	2019	3582	1958	2973	4416	2490	3927	4833	2756	4404	5250	3021	4881
0.9S-0350-85-CL	165	2328	1085	1407	3491	1900	2869	4721	2684	4275	5951	3466	5682	7180	4247	7088	7795	4637	7791	8410	5028	8494
0.9S-0400-50-CL	350	2739	1341	1850	-	-	-	-	-	-	-	-	-	1127	164	164	1339	408	408	1552	632	651
0.9S-0400-60-CL	345	2739	1342	1850	-	-	-	1212	262	262	1825	820	963	2438	1222	1664	2744	1420	2014	3050	1617	2365
0.9S-0400-70-CL	255	2739	1341	1850	1484	574	574	2318	1145	1527	3152	1683	2481	3986	2216	3435	4403	2482	3912	4820	2748	4389
0.9S-0400-85-CL	170	2733	1337	1843	3061	1624	2377	4291	2410	3783	5520	3193	5190	6750	3974	6596	7365	4364	7299	7980	4755	8002
0.9S-0700-60-CL	350	3872	1850	2474	-	-	-	-	-	-	-	-	-	1822	351	351	2129	702	702	2435	1004	1052
0.9S-0700-70-CL	260	3872	1849	2474	-	-	-	1703	215	215	2537	1075	1168	3371	1632	2122	3788	1904	2599	4205	2173	3076
0.9S-0700-85-CL	185	3866	1846	2467	2446	1012	1064	3675	1831	2471	4905	2623	3877	6135	3410	5283	6749	3802	5987	7364	4194	6690

NOTES:

- MOP: Maximum Operating Pressure
- BTC: Break to Close
- ETC: End to Close
- RTC: Run to Close
- RTO: Run to Open
- BTO: Break to Open
- ETO: End to Open

Model	MOP (barg)	BTC	RTC	ETC	Operating supply pressure (barg)																	
					170			180			200			220			240			MOT@MOP		
					BTO	RTO	ETO	BTO	RTO	ETO	BTO	RTO	ETO	BTO	RTO	ETO	BTO	RTO	ETO	BTO	RTO	ETO
0.9S-0200-45-CL	350	1239	573	738	2175	1211	1879	2347	1320	2076	2692	1540	2470	3037	1759	2865	3381	1978	3259	5277	3182	5427
0.9S-0200-50-CL	350	1238	573	737	2862	1648	2664	3074	1783	2908	3500	2053	3394	3925	2323	3881	4351	2594	4367	6691	4079	7044
0.9S-0200-60-CL	295	1238	573	738	4453	2659	4485	4760	2853	4835	5372	3242	5536	5985	3631	6237	6598	4020	6937	8283	5089	8864
0.9S-0250-40-CL	350	1473	720	991	1313	658	894	1450	746	1049	1722	921	1361	1994	1095	1672	2267	1269	1984	3764	2221	3697
0.9S-0250-45-CL	350	1472	719	990	1927	1052	1595	2099	1162	1793	2444	1382	2187	2789	1601	2581	3133	1820	2975	5029	3024	5143
0.9S-0250-50-CL	350	1471	719	989	2614	1490	2381	2826	1625	2624	3252	1896	3111	3677	2166	3597	4103	2436	4084	6443	3921	6760
0.9S-0250-60-CL	305	1472	719	989	4205	2501	4201	4512	2696	4552	5124	3085	5252	5737	3474	5953	6350	3862	6654	8341	5126	8931
0.9S-0250-70-CL	225	1471	719	989	6086	3695	6352	6503	3959	6829	7337	4488	7782	8171	5017	8736	-	-	-	8379	5150	8975
0.9S-0350-45-CL	350	2335	1089	1414	1508	600	601	1681	722	798	2025	953	1192	2370	1178	1587	2715	1401	1981	4610	2614	4149
0.9S-0350-50-CL	350	2334	1088	1413	2195	1064	1386	2408	1203	1630	2833	1478	2116	3259	1751	2603	3684	2023	3089	6024	3513	5766
0.9S-0350-60-CL	335	2335	1089	1414	3787	2089	3207	4093	2284	3557	4706	2675	4258	5318	3065	4959	5931	3454	5659	8842	5302	8988
0.9S-0350-70-CL	245	2334	1089	1414	5667	3286	5357	6084	3551	5834	6918	4081	6788	7752	4610	7742	8586	5140	8696	8794	5272	8934
0.9S-0350-85-CL	165	2328	1085	1407	-	-	-	-	-	-	-	-	-	-	-	-	-	-	-	8717	5223	8846
0.9S-0400-50-CL	350	2739	1341	1850	1765	779	894	1978	921	1138	2403	1200	1624	2829	1475	2111	3254	1748	2598	5594	3240	5274
0.9S-0400-60-CL	345	2739	1342	1850	3357	1814	2715	3663	2010	3065	4276	2401	3766	4888	2791	4467	5501	3181	5168	8718	5223	8847
0.9S-0400-70-CL	255	2739	1341	1850	5237	3013	4866	5654	3278	5343	6488	3808	6296	7322	4337	7250	8156	4867	8204	8781	5264	8919
0.9S-0400-85-CL	170	2733	1337	1843	8595	5145	8706	-	-	-	-	-	-	-	-	-	-	-	-	8595	5145	8706
0.9S-0700-60-CL	350	3872	1850	2474	2741	1215	1402	3048	1420	1753	3660	1821	2453	4273	2217	3154	4886	2611	3855	8256	4760	7709
0.9S-0700-70-CL	260	3872	1849	2474	4622	2442	3553	5039	2709	4030	5873	3242	4984	6706	3774	5937	7540	4306	6891	8166	4703	7607
0.9S-0700-85-CL	185	3866	1846	2467	7979	4585	7393	8594	4976	8096	-	-	-	-	-	-	-	-	-	8901	5171	8448

NOTES:

- MOT: Maximum Operating Torque
- MOP: Maximum Operating Pressure
- BTC: Break to Close
- RTC: Run to Close
- ETC: End to Close
- BTO: Break to Open
- RTO: Run to Open
- ETO: End to Open

OLGAS-H Spring-Return Hydraulic Actuator

Output Torques (Nm) - Symmetric Yoke Design, Spring to Close

Models 1.5S-1100-70-CL to 14S-8300-200-CL

Model	MOP (barg)	BTC	RTC	ETC	Operating supply pressure (barg)																	
					80			100			120			140			150			160		
					BTO	RTO	ETO	BTO	RTO	ETO	BTO	RTO	ETO	BTO	RTO	ETO	BTO	RTO	ETO	BTO	RTO	ETO
1.5S-1100-70-CL	325	6315	3098	3779	-	-	-	-	-	-	-	-	-	4244	404	404	4816	956	956	5388	1508	1508
1.5S-1100-85-CL	220	6308	3093	3770	-	-	-	4662	807	807	6349	2315	2434	8036	3368	4062	8880	3878	4876	9723	4385	5689
1.5S-1100-95-CL	175	6303	3089	3763	4650	795	795	6757	2577	2828	8864	3869	4861	10972	5129	6894	12025	5754	7911	13079	6378	8927
1.5S-1100-110-CL	130	6305	3091	3767	7525	3055	3569	10350	4759	6295	13175	6435	9020	-	-	-	-	-	-	-	-	-
1.5S-1200-70-CL	350	7322	3803	5105	-	-	-	-	-	-	-	-	-	-	-	-	-	-	-	4081	280	280
1.5S-1200-85-CL	235	7315	3798	5096	-	-	-	-	-	-	5041	1207	1207	6728	2574	2835	7572	3098	3648	8415	3612	4462
1.5S-1200-95-CL	190	7309	3794	5089	-	-	-	5449	1601	1601	7557	3089	3634	9664	4363	5667	10717	4991	6683	11771	5616	7700
1.5S-1200-110-CL	140	7312	3796	5093	6217	2246	2342	9043	3990	5067	11868	5674	7793	14693	7343	10519	-	-	-	-	-	-
3S-2000-70-CL	350	11023	5787	8082	-	-	-	-	-	-	-	-	-	5052	51	51	5986	979	979	6921	1907	1907
3S-2000-85-CL	275	11011	5779	8067	-	-	-	5735	729	729	8490	3227	3465	11246	4951	6200	12624	5791	7568	14002	6624	8935
3S-2000-95-CL	220	11002	5773	8056	5715	710	710	9157	3655	4126	12599	5776	7543	16041	7851	10960	17763	8883	12669	19484	9912	14377
3S-2000-110-CL	160	11007	5777	8062	10412	4438	5372	15027	7241	9953	19642	10006	14534	24257	12759	19115	26564	14132	21406	28872	15506	23696
6S-2500-85-CL	350	15774	8400	12019	-	-	-	-	-	-	7341	655	655	10557	3800	3859	12165	4852	5461	13773	5860	7064
6S-2500-95-CL	322	15763	8393	12005	-	-	-	8119	1430	1430	12136	4834	5433	16153	7321	9436	18162	8541	11437	20170	9754	13439
6S-2500-110-CL	265	15769	8397	12012	9583	2889	2889	14969	6597	8256	20355	9865	13622	25740	13098	18989	28433	14708	21673	31126	16317	24356
6S-2500-125-CL	205	15755	8388	11995	15843	7132	9127	22798	11334	16057	29753	15497	22988	36708	19647	29918	40185	21719	33383	43662	23789	36848
6S-2500-135-CL	175	15745	8381	11982	20461	9929	13728	28573	14792	21812	36685	19633	29895	44797	24465	37979	48853	26880	42020	52909	29294	46062
6S-3800-85-CL	350	21296	11767	17784	-	-	-	-	-	-	-	-	-	-	-	-	-	-	-	8087	453	453
6S-3800-95-CL	322	21285	11760	17771	-	-	-	-	-	-	-	-	-	10467	2825	2825	12476	4623	4826	14484	5916	6828
6S-3800-110-CL	285	21291	11764	17778	-	-	-	9283	1645	1645	14669	6031	7011	20055	9338	12378	22748	10966	15062	25441	12586	17745

NOTES:

- MOP: Maximum Operating Pressure
- BTC: Break to Close
- ETC: End to Close
- RTC: Run to Close
- RTO: Run to Open
- BTO: Break to Open
- ETO: End to Open

Model	MOP (barg)	BTC	RTC	ETC	Operating supply pressure (barg)																	
					170			180			200			220			240			MOT@MOP		
					BTO	RTO	ETO	BTO	RTO	ETO	BTO	RTO	ETO	BTO	RTO	ETO	BTO	RTO	ETO	BTO	RTO	ETO
1.5S-1100-70-CL	325	6315	3098	3779	5960	2055	2059	6532	2433	2611	7677	3148	3715	8821	3843	4819	9965	4529	5923	14827	7410	10614
1.5S-1100-85-CL	220	6308	3093	3770	10566	4888	6503	11410	5390	7317	13097	6389	8944	14784	7384	10572	-	-	-	14784	7384	10572
1.5S-1100-95-CL	175	6303	3089	3763	14132	7000	9944	-	-	-	-	-	-	-	-	-	-	-	-	14659	7311	10452
1.5S-1100-110-CL	130	6305	3091	3767	-	-	-	-	-	-	-	-	-	-	-	-	-	-	-	14588	7269	10383
1.5S-1200-70-CL	350	7322	3803	5105	4653	832	832	5225	1384	1384	6369	2344	2488	7513	3062	3591	8657	3758	4695	14949	7494	10766
1.5S-1200-85-CL	235	7315	3798	5096	9259	4120	5276	10102	4624	6090	11789	5627	7717	13476	6625	9345	-	-	-	14741	7371	10565
1.5S-1200-95-CL	190	7309	3794	5089	12824	6240	8716	13878	6862	9733	-	-	-	-	-	-	-	-	-	14932	7484	10749
1.5S-1200-110-CL	140	7312	3796	5093	-	-	-	-	-	-	-	-	-	-	-	-	-	-	-	14693	7343	10519
3S-2000-70-CL	350	11023	5787	8082	7855	2803	2834	8790	3420	3762	10659	4590	5617	12527	5732	7472	14396	6862	9327	24675	13008	19531
3S-2000-85-CL	275	11011	5779	8067	15379	7454	10303	16757	8280	11671	19513	9930	14406	22269	11574	17142	25024	13216	19877	29847	16086	24664
3S-2000-95-CL	220	11002	5773	8056	21205	10939	16086	22926	11966	17794	26368	14016	21211	29810	16064	24628	-	-	-	29810	16064	24628
3S-2000-110-CL	160	11007	5777	8062	-	-	-	-	-	-	-	-	-	-	-	-	-	-	-	28872	15506	23696
6S-2500-85-CL	350	15774	8400	12019	15381	6849	8666	16988	7830	10268	20204	9775	13473	23420	11707	16677	26636	13634	19882	44324	24183	37507
6S-2500-95-CL	322	15763	8393	12005	22179	10962	15440	24187	12167	17442	28204	14571	21444	32221	16971	25447	36238	19367	29450	58332	32520	51466
6S-2500-110-CL	265	15769	8397	12012	33819	17924	27039	36512	19530	29723	41898	22739	35090	47284	25946	40456	52669	29152	45823	59402	33155	52532
6S-2500-125-CL	205	15755	8388	11995	47140	25860	40313	50617	27931	43778	57572	32067	50709	-	-	-	-	-	-	59311	33101	52441
6S-2500-135-CL	175	15745	8381	11982	56965	31706	50104	-	-	-	-	-	-	-	-	-	-	-	-	58993	32912	52125
6S-3800-85-CL	350	21296	11767	17784	9695	2055	2055	11303	3657	3657	14519	5937	6862	17735	7926	10066	20951	9881	13271	38638	20479	30896
6S-3800-95-CL	322	21285	11760	17771	16493	7164	8829	18502	8395	10830	22519	10828	14833	26536	13244	18836	30553	15650	22839	52647	28825	44855
6S-3800-110-CL	285	21291	11764	17778	28133	14201	20428	30826	15814	23112	36212	19032	28478	41598	22244	33845	46984	25453	39212	59102	32669	51287

NOTES:

- MOT: Maximum Operating Torque
- MOP: Maximum Operating Pressure
- BTC: Break to Close
- RTC: Run to Close
- ETC: End to Close
- BTO: Break to Open
- RTO: Run to Open
- ETO: End to Open

Model	MOP (barg)	BTC	RTC	ETC	Operating supply pressure (barg)																	
					80			100			120			140			150			160		
					BTO	RTO	ETO	BTO	RTO	ETO	BTO	RTO	ETO	BTO	RTO	ETO	BTO	RTO	ETO	BTO	RTO	ETO
6S-3800-125-CL	220	21277	11754	17760	10158	2516	2516	17112	7545	9446	24067	11761	16377	31022	15931	23307	34499	18009	26772	37977	20084	30237
6S-3800-135-CL	190	21266	11747	17747	14775	6098	7117	22887	11050	15201	30999	15917	23284	39111	20761	31368	43167	23180	35409	47223	25596	39451
14S-5100-95-CL	322	24974	14105	21642	-	-	-	-	-	-	-	-	-	9712	538	538	11940	2688	2688	14168	4838	4838
14S-5100-110-CL	350	24980	14110	21650	-	-	-	-	-	-	14373	4994	5035	20348	8738	10799	23335	10534	13682	26323	12315	16564
14S-5100-125-CL	345	24965	14099	21630	9368	206	206	17084	6739	7650	24799	11408	15094	32515	15982	22538	36372	18257	26260	40230	20529	29982
14S-5100-135-CL	345	24953	14092	21616	14491	5074	5149	23490	10627	13831	32489	15967	22514	41489	21270	31196	45988	23913	35538	50488	26556	39879
14S-5100-145-CL	270	24964	14099	21629	20033	8547	10496	30415	14741	20513	40797	20863	30529	51179	26962	40546	56370	30006	45554	61561	33051	50562
14S-5100-175-CL	185	24933	14078	21590	38959	19780	28756	54082	28664	43346	69204	37531	57936	84326	46389	72526	91888	50817	79821	99449	55246	87116
14S-5100-200-CL	140	24902	14058	21551	57442	30635	46588	77193	42211	65644	96945	53779	84701	116697	65341	103757	-	-	-	-	-	-
14S-5400-110-CL	350	32286	17695	25909	-	-	-	-	-	-	-	-	-	16147	2379	2379	19134	5262	5262	22122	7896	8144
14S-5400-125-CL	345	32271	17685	25890	-	-	-	-	-	-	20598	6674	6674	28314	11785	14118	32172	14122	17840	36029	16433	21562
14S-5400-135-CL	345	32260	17677	25875	-	-	-	19289	5411	5411	28289	11770	14094	37288	17184	22776	41788	19859	27117	46287	22524	31459
14S-5400-145-CL	280	32271	17684	25889	15833	2076	2076	26214	10496	12092	36596	16771	22109	46978	22932	32125	52169	25996	37134	57360	29053	42142
14S-5400-175-CL	190	32239	17663	25849	34759	15674	20336	49881	24645	34926	65003	33549	49516	80126	42429	64106	87687	46863	71401	95248	51297	78696
14S-5400-185-CL	170	32228	17656	25834	41856	19899	27183	58756	29875	43488	75656	39807	59793	92556	49719	76099	101006	54674	84251	109456	59623	92404
14S-5400-200-CL	145	32209	17643	25810	53241	26628	38168	72993	38243	57224	92744	49829	76280	112496	61403	95337	-	-	-	-	-	-
14S-8300-125-CL	345	41469	22847	33728	-	-	-	-	-	-	-	-	-	20584	3294	3294	24442	7016	7016	28300	10263	10738
14S-8300-135-CL	345	41457	22839	33714	-	-	-	-	-	-	20559	3270	3270	29559	11076	11952	34058	13887	16293	38558	16627	20635
14S-8300-145-CL	295	41468	22846	33727	-	-	-	18485	1269	1269	28867	10632	11285	39249	17044	21302	44440	20160	26310	49631	23252	31318
14S-8300-175-CL	200	41437	22825	33687	27029	9415	9512	42151	18789	24102	57274	27783	38692	72396	36702	53282	79957	41151	60577	87519	45593	67872
14S-8300-185-CL	180	41425	22817	33672	34126	13929	16359	51026	24082	32664	67926	34071	48970	84826	44012	65275	93276	48976	73427	101726	53933	81580
14S-8300-200-CL	155	41406	22805	33648	45512	20799	27344	65263	32501	46400	85015	44122	65456	104767	55716	84513	114642	61508	94041	-	-	-

NOTES:

- MOP: Maximum Operating Pressure
- BTC: Break to Close
- ETC: End to Close
- RTC: Run to Close
- RTO: Run to Open
- BTO: Break to Open
- ETO: End to Open

Model	MOP (barg)	BTC	RTC	ETC	Operating supply pressure (barg)																	
					170			180			200			220			240			MOT@MOP		
					BTO	RTO	ETO	BTO	RTO	ETO	BTO	RTO	ETO	BTO	RTO	ETO	BTO	RTO	ETO	BTO	RTO	ETO
6S-3800-125-CL	220	21277	11754	17760	41454	22159	33702	44932	24232	37167	51886	28373	44097	58841	32514	51028	-	-	-	58841	32514	51028
6S-3800-135-CL	190	21266	11747	17747	51280	28011	43493	55336	30426	47534	-	-	-	-	-	-	-	-	-	59392	32841	51576
14S-5100-95-CL	322	24974	14105	21642	16396	6309	6987	18625	7690	9137	23081	10382	13437	27538	13037	17736	31994	15674	22036	56505	30085	45684
14S-5100-110-CL	350	24980	14110	21650	29310	14087	19446	32297	15854	22329	38272	19376	28093	44247	22890	33858	50222	26400	39622	83084	45661	71327
14S-5100-125-CL	345	24965	14099	21630	44088	22797	33704	47946	25063	37426	55661	29591	44870	63377	34115	52314	71092	38637	59758	113527	63486	100699
14S-5100-135-CL	345	24953	14092	21616	54988	29196	44220	59487	31835	48562	68487	37111	57244	77486	42382	65927	86485	47653	74609	117983	66094	104998
14S-5100-145-CL	270	24964	14099	21629	66752	36095	55571	71943	39136	60579	82325	45216	70595	92707	51297	80612	103089	57377	90628	118662	66491	105653
14S-5100-175-CL	185	24933	14078	21590	107010	59672	94411	114571	64097	101706	-	-	-	-	-	-	-	-	-	118352	66309	105354
14S-5100-200-CL	140	24902	14058	21551	-	-	-	-	-	-	-	-	-	-	-	-	-	-	-	116697	65341	103757
14S-5400-110-CL	350	32286	17695	25909	25109	9809	11026	28097	11653	13908	34072	15262	19673	40046	18825	25437	46021	22366	31202	78883	41700	62907
14S-5400-125-CL	345	32271	17685	25890	39887	18730	25284	43745	21018	29006	51460	25577	36450	59176	30122	43893	66891	34658	51337	109327	59547	92279
14S-5400-135-CL	345	32260	17677	25875	50787	25180	35800	55287	27832	40141	64286	33128	48824	73285	38415	57506	82285	43695	66189	118282	64792	100919
14S-5400-145-CL	280	32271	17684	25889	62551	32109	47150	67742	35158	52159	78124	41255	62175	88506	47344	72192	98888	53432	82208	119652	65595	102241
14S-5400-175-CL	190	32239	17663	25849	102809	55730	85991	110370	60159	93286	-	-	-	-	-	-	-	-	-	117932	64587	100581
14S-5400-185-CL	170	32228	17656	25834	117906	64572	100556	-	-	-	-	-	-	-	-	-	-	-	-	117906	64572	100556
14S-5400-200-CL	145	32209	17643	25810	-	-	-	-	-	-	-	-	-	-	-	-	-	-	-	117434	64296	100101
14S-8300-125-CL	345	41469	22847	33728	32158	12712	14460	36015	15084	18182	43731	19736	25626	51446	24331	33070	59162	28899	40513	101597	53858	81455
14S-8300-135-CL	345	41457	22839	33714	43058	19332	24976	47557	22020	29317	56557	27359	38000	65556	32674	46682	74555	37973	55365	119552	64387	98778
14S-8300-145-CL	295	41468	22846	33727	54822	26331	36326	60013	29402	41335	70395	35524	51351	80777	41633	61368	91159	47732	71384	119709	64479	98930
14S-8300-175-CL	200	41437	22825	33687	95080	50035	75167	102641	54470	82462	117763	63338	97052	-	-	-	-	-	-	117763	63338	97052
14S-8300-185-CL	180	41425	22817	33672	110176	58889	89732	118626	63844	97885	-	-	-	-	-	-	-	-	-	118626	63844	97885
14S-8300-200-CL	155	41406	22805	33648	-	-	-	-	-	-	-	-	-	-	-	-	-	-	-	119580	64404	98805

NOTES:

- MOT: Maximum Operating Torque
- MOP: Maximum Operating Pressure
- BTC: Break to Close
- RTC: Run to Close
- ETC: End to Close
- BTO: Break to Open
- RTO: Run to Open
- ETO: End to Open

OLGAS-H Spring-Return Hydraulic Actuator

Output Torques (Nm) - Symmetric Yoke Design, Spring to Close

Models 18S-9600-145-CL to 50S-15600-300-CL

Model	MOP (barg)	BTC	RTC	ETC	Operating supply pressure (barg)																	
					80			100			120			140			150			160		
					BTO	RTO	ETO	BTO	RTO	ETO	BTO	RTO	ETO	BTO	RTO	ETO	BTO	RTO	ETO	BTO	RTO	ETO
18S-9600-145-CL	350	67094	34587	45890	-	-	-	-	-	-	-	-	-	38107	2539	2539	44075	8300	8300	50043	14062	14062
18S-9600-175-CL	255	67058	34563	45844	-	-	-	41444	5760	5760	58830	21450	22544	76216	32277	39329	84909	37528	47721	93602	42733	56113
18S-9600-185-CL	230	67045	34554	45827	-	-	-	51647	15610	15610	71077	29140	34368	90506	40886	53125	100221	46680	62503	109936	52450	71882
18S-9600-200-CL	195	67023	34539	45799	45307	9490	9490	68015	27254	31412	90723	41015	53334	113431	54521	75256	124785	61237	86217	136139	67942	97178
18S-9600-235-CL	105	66966	34500	45727	79815	34459	42804	111166	53179	73070	142518	71699	103336	173869	90146	133603	-	-	-	-	-	-
18S-9800-145-CL	350	84710	43258	56500	-	-	-	-	-	-	-	-	-	-	-	-	-	-	-	-	-	-
18S-9800-175-CL	270	84674	43233	56454	-	-	-	-	-	-	48367	2212	2212	65752	18996	18996	74445	26569	27388	83138	32157	35780
18S-9800-185-CL	240	84661	43224	56437	-	-	-	-	-	-	60614	14035	14035	80043	30201	32792	89758	36276	42171	99473	42216	51549
18S-9800-200-CL	205	84639	43209	56410	-	-	-	57552	11079	11079	80260	30339	33001	102968	44335	54923	114322	51167	65885	125676	57955	76846
18S-9800-235-CL	150	84582	43170	56337	69352	22471	22471	100703	42962	52737	132054	61751	83003	163405	80324	113270	179081	89578	128403	-	-	-
18S-10500-175-CL	275	93669	47078	59869	-	-	-	-	-	-	-	-	-	62384	8795	8795	71077	17187	17187	79770	25579	25579
18S-10500-185-CL	245	93656	47068	59852	-	-	-	-	-	-	57246	3834	3834	76675	22591	22591	86390	30929	31970	96105	37167	41348
18S-10500-200-CL	210	93634	47053	59825	-	-	-	54184	878	878	76892	22800	22800	99600	39353	44723	110954	46340	55684	122308	53224	66645
18S-10500-235-CL	150	93577	47014	59752	65984	12270	12270	97335	37940	42536	128686	57064	72803	160038	75769	103069	175713	85058	118202	-	-	-
18S-11000-175-CL	273	105036	54864	74381	-	-	-	-	-	-	-	-	-	-	-	-	56767	3372	3372	65460	11764	11764
18S-11000-185-CL	244	105023	54855	74364	-	-	-	-	-	-	-	-	-	62365	8776	8776	72080	18155	18155	81794	27533	27533
18S-11000-200-CL	220	105001	54840	74336	-	-	-	-	-	-	62582	8985	8985	85290	30196	30908	96644	37506	41869	107998	44535	52830
18S-11000-235-CL	160	104944	54802	74263	-	-	-	83025	28652	28721	114376	48425	58988	145727	67258	89254	161403	76581	104387	177079	85867	119520
32S-12000-175-CL	273	124656	60616	74978	-	-	-	-	-	-	-	-	-	-	-	-	76859	5627	5627	86933	15628	15628
32S-12000-200-CL	295	124614	60587	74926	-	-	-	-	-	-	83597	12316	12316	109914	38440	38440	123073	47367	51502	136232	55723	64564

NOTES:

Model 80S is available on request.

- MOP: Maximum Operating Pressure
- BTC: Break to Close
- ETC: End to Close
- RTC: Run to Close
- RTO: Run to Open
- BTO: Break to Open
- ETO: End to Open

Model	MOP (barg)	BTC	RTC	ETC	Operating supply pressure (barg)																	
					170			180			200			220			240			MOT@MOP		
					BTO	RTO	ETO	BTO	RTO	ETO	BTO	RTO	ETO	BTO	RTO	ETO	BTO	RTO	ETO	BTO	RTO	ETO
18S-9600-145-CL	350	67094	34587	45890	56011	19577	19823	61979	23475	25585	73915	30876	37107	85851	38093	48630	97787	45232	60153	118674	57627	80318
18S-9600-175-CL	255	67058	34563	45844	102294	47913	64505	110987	53073	72897	128373	63356	89681	145759	73608	106465	163145	83844	123250	119680	58223	81289
18S-9600-185-CL	230	67045	34554	45827	119651	58205	81261	129365	63942	90639	148795	75396	109396	168224	86829	128154	-	-	-	119651	58205	81261
18S-9600-200-CL	195	67023	34539	45799	147493	74630	108140	158847	81317	119101	-	-	-	-	-	-	-	-	-	119108	57884	80737
18S-9600-235-CL	105	66966	34500	45727	-	-	-	-	-	-	-	-	-	-	-	-	-	-	-	119004	57822	80637
18S-9800-145-CL	350	84710	43258	56500	-	-	-	51516	5252	5252	63451	16775	16775	75387	27192	28297	87323	34771	39820	152971	74157	103196
18S-9800-175-CL	270	84674	43233	56454	91831	37551	44172	100524	42853	52564	117910	53318	69348	135296	63678	86133	152681	73986	102917	178760	89389	128093
18S-9800-185-CL	240	84661	43224	56437	109187	48086	60928	118902	53911	70306	138332	65483	89064	157761	76991	107821	177191	88464	126578	177191	88464	126578
18S-9800-200-CL	205	84639	43209	56410	137030	64709	87807	148384	71440	98768	171092	84863	120690	-	-	-	-	-	-	176769	88216	126171
18S-9800-235-CL	150	84582	43170	56337	-	-	-	-	-	-	-	-	-	-	-	-	-	-	-	179081	89578	128403
18S-10500-175-CL	275	93669	47078	59869	88463	32290	33971	97156	37828	42363	114542	48525	59148	131928	59008	75932	149313	69393	92716	179739	87442	122088
18S-10500-185-CL	245	93656	47068	59852	105819	43197	50727	115534	49127	60106	134964	60829	78863	154393	72413	97620	173823	83938	116377	178680	86816	121066
18S-10500-200-CL	210	93634	47053	59825	133662	60048	77606	145016	66833	88567	167724	80325	110489	-	-	-	-	-	-	179078	87051	121450
18S-10500-235-CL	150	93577	47014	59752	-	-	-	-	-	-	-	-	-	-	-	-	-	-	-	175713	85058	118202
18S-11000-175-CL	273	105036	54864	74381	74153	20156	20156	82846	28527	28548	100232	39747	45333	117617	50390	62117	135003	60853	78901	178468	86690	120861
18S-11000-185-CL	244	105023	54855	74364	91509	34255	36912	101224	40362	46291	120653	52227	65048	140083	63888	83805	159513	75457	102562	178942	86971	121319
18S-11000-200-CL	220	105001	54840	74336	119352	51441	63791	130706	58275	74752	153414	71831	96674	176122	85300	118596	-	-	-	176122	85300	118596
18S-11000-235-CL	160	104944	54802	74263	-	-	-	-	-	-	-	-	-	-	-	-	-	-	-	177079	85867	119520
32S-12000-175-CL	273	124656	60616	74978	97008	25628	25628	107082	35629	35629	127231	50037	55629	147380	62661	75630	167530	75024	95631	278349	141692	205637
32S-12000-200-CL	295	124614	60587	74926	149390	63902	77625	162549	71985	90687	188866	87979	116811	215183	103848	142935	241500	119645	169058	313872	162889	240898

NOTES:

Model 80S is available on request.

- MOT: Maximum Operating Torque
- MOP: Maximum Operating Pressure
- BTC: Break to Close
- RTC: Run to Close
- ETC: End to Close
- BTO: Break to Open
- RTO: Run to Open
- ETO: End to Open

Model	MOP (barg)	BTC	RTC	ETC	Operating supply pressure (barg)																	
					80			100			120			140			150			160		
					BTO	RTO	ETO	BTO	RTO	ETO	BTO	RTO	ETO	BTO	RTO	ETO	BTO	RTO	ETO	BTO	RTO	ETO
32S-12000-235-CL	215	124546	60541	74842	-	-	-	107290	35835	35835	143624	60333	71902	179958	82583	107969	198125	93575	126002	216292	104516	144036
32S-12000-250-CL	190	124514	60519	74802	90066	18737	18737	131186	52548	59555	172307	77938	100373	213427	102791	141192	233988	115139	161601	254548	127458	182010
32S-15000-175-CL	273	144830	72365	93498	-	-	-	-	-	-	-	-	-	-	-	-	-	-	-	-	-	-
32S-15000-200-CL	310	144788	72336	93446	-	-	-	-	-	-	-	-	-	91651	14529	14529	104810	27591	27591	117968	40653	40653
32S-15000-235-CL	225	144721	72290	93362	-	-	-	89027	11924	11924	125361	46144	47991	161695	69180	84058	179862	80324	102092	198029	91371	120125
32S-15000-250-CL	200	144688	72268	93322	-	-	-	112923	35645	35645	154043	64442	76463	195164	89632	117281	215724	102070	137690	236284	114449	158100
50S-15400-200-CL	331	157380	74703	88832	-	-	-	-	-	-	-	-	-	116623	21386	21386	131244	35899	35899	145865	50412	50412
50S-15400-235-CL	260	157305	74650	88739	-	-	-	113707	18491	18491	154078	56510	58566	194450	82212	98640	214635	94636	118677	234821	106941	138715
50S-15400-250-CL	235	157269	74625	88694	-	-	-	140259	44847	44847	185948	76925	90201	231638	105008	135555	254482	118855	158232	277327	132638	180908
50S-15400-300-CL	160	157222	74593	88636	174931	70007	79264	240723	110524	144574	306516	150183	209883	372309	189571	275192	405206	209203	307847	438102	228825	340501
50S-15600-200-CL	331	164429	79551	97583	-	-	-	-	-	-	-	-	-	107994	12820	12820	122614	27333	27333	137235	41846	41846
50S-15600-235-CL	270	164353	79499	97490	-	-	-	105078	9925	9925	145449	49999	49999	185820	76845	90074	206006	89342	110111	226191	101691	130148
50S-15600-250-CL	235	164317	79475	97445	-	-	-	131629	36281	36281	177318	71512	81635	223008	99749	126988	245853	113638	149665	268697	127443	172342
50S-15600-300-CL	165	164270	79443	97387	166301	64505	70698	232094	105285	136007	297887	145006	201317	363679	184410	266626	396576	204056	299281	429472	223678	331935

NOTES:

Model 80S is available on request.

- MOP: Maximum Operating Pressure
- BTC: Break to Close
- ETC: End to Close
- RTC: Run to Close
- RTO: Run to Open
- BTO: Break to Open
- ETO: End to Open

Model	MOP (barg)	BTC	RTC	ETC	Operating supply pressure (barg)																	
					170			180			200			220			240			MOT@MOP		
					BTO	RTO	ETO	BTO	RTO	ETO	BTO	RTO	ETO	BTO	RTO	ETO	BTO	RTO	ETO	BTO	RTO	ETO
32S-12000-235-CL	215	124546	60541	74842	234459	115422	162069	252626	126309	180103	288960	148029	216170	-	-	-	-	-	-	316211	164284	243220
32S-12000-250-CL	190	124514	60519	74802	275108	139754	202419	295668	152030	222828	-	-	-	-	-	-	-	-	-	316229	164294	243237
32S-15000-175-CL	273	144830	72365	93498	78744	1718	1718	88819	11718	11718	108968	31719	31719	129117	48627	51720	149266	61464	71721	260086	128731	181726
32S-15000-200-CL	310	144788	72336	93446	131127	49938	53715	144285	58339	66777	170603	74660	92901	196920	90698	119024	223237	106595	145148	302188	153922	223519
32S-15000-235-CL	225	144721	72290	93362	216196	102355	138159	234363	113292	156192	270697	135090	192259	307031	156818	228326	-	-	-	316115	162236	237343
32S-15000-250-CL	200	144688	72268	93322	256845	126787	178509	277405	139101	198918	318526	163674	239736	-	-	-	-	-	-	318526	163674	239736
50S-15400-200-CL	331	157380	74703	88832	160485	60739	64925	175106	70118	79439	204347	88323	108465	233589	106192	137491	262830	123900	166518	423657	220209	326162
50S-15400-235-CL	260	157305	74650	88739	255007	119172	158752	275192	131353	178789	315563	155610	218864	355935	179779	258938	396306	203895	299012	436677	227975	339087
50S-15400-250-CL	235	157269	74625	88694	300172	146377	203585	323017	160080	226262	368706	187416	271616	414396	214685	316969	-	-	-	448663	235125	350984
50S-15400-300-CL	160	157222	74593	88636	-	-	-	-	-	-	-	-	-	-	-	-	-	-	-	438102	228825	340501
50S-15600-200-CL	331	164429	79551	97583	151856	55013	56359	166476	64618	70872	195718	82998	99899	224959	100939	128925	254200	118684	157951	415027	215061	317596
50S-15600-235-CL	270	164353	79499	97490	246377	113956	150186	266562	126156	170223	306934	150433	210297	347305	174618	250372	387676	198747	290446	448233	234868	350558
50S-15600-250-CL	235	164317	79475	97445	291542	141194	195019	314387	154904	217696	360076	182255	263049	405766	209537	308403	-	-	-	440033	229977	342418
50S-15600-300-CL	165	164270	79443	97387	-	-	-	-	-	-	-	-	-	-	-	-	-	-	-	429472	223678	331935

NOTES:

Model 80S is available on request.

- MOT: Maximum Operating Torque
- MOP: Maximum Operating Pressure
- BTC: Break to Close
- RTC: Run to Close
- ETC: End to Close
- BTO: Break to Open
- RTO: Run to Open
- ETO: End to Open

OLGAS-H Spring-Return Hydraulic Actuator

Output Torques (Nm) - Symmetric Yoke Design, Spring to Open

Models 0.3S-008A-20-OP to 0.9S-0700-85-OP

Model	MOP (barg)	BTO	RTO	ETO	Operating supply pressure (barg)																	
					80			100			120			140			150			160		
					BTC	RTC	ETC	BTC	RTC	ETC	BTC	RTC	ETC	BTC	RTC	ETC	BTC	RTC	ETC	BTC	RTC	ETC
0.3S-008A-20-OP	350	227	103	122	-	-	-	158	35	35	219	90	101	280	129	167	311	149	200	341	168	233
0.3S-008A-28-OP	350	226	102	120	330	160	220	450	235	350	570	308	479	690	382	608	750	419	673	810	455	738
0.3S-008A-35-OP	325	225	101	119	599	326	510	787	441	712	974	556	915	1162	671	1117	1255	728	1218	1349	785	1319
0.3S-008B-20-OP	350	339	114	114	-	-	-	-	-	-	-	-	-	275	29	29	306	62	62	336	95	95
0.3S-008B-28-OP	350	337	113	113	325	82	82	445	186	212	565	263	341	685	338	470	745	375	535	805	412	600
0.3S-008B-35-OP	335	336	112	112	594	281	372	782	398	575	969	513	777	1157	628	979	1250	686	1080	1344	743	1181
0.3S-008C-20-OP	350	407	146	146	-	-	-	-	-	-	-	-	-	-	-	-	-	-	-	300	10	10
0.3S-008C-28-OP	350	406	144	144	-	-	-	408	127	127	528	223	256	648	300	385	708	337	450	768	375	515
0.3S-008C-35-OP	340	405	144	144	557	242	288	745	360	490	933	476	692	1120	592	894	1214	650	995	1308	707	1096
0.3S-0100-28-OP	350	658	280	306	-	-	-	-	-	-	-	-	-	474	72	72	534	137	137	594	202	202
0.3S-0100-35-OP	350	658	280	305	-	-	-	570	176	176	758	325	379	945	444	581	1039	502	682	1133	560	783
0.3S-0100-40-OP	275	656	278	303	611	220	220	856	387	484	1101	540	748	1345	692	1012	1468	767	1144	1590	843	1276
0.3S-0100-45-OP	215	655	278	302	870	396	499	1180	590	833	1490	781	1167	1800	971	1501	1955	1066	1668	2110	1161	1835
0.3S-0100-50-OP	175	654	277	301	1160	577	812	1543	813	1224	1926	1048	1637	2308	1283	2049	2500	1400	2255	2691	1517	2462
0.3S-0150-35-OP	350	837	399	510	-	-	-	-	-	-	552	157	157	740	313	359	834	373	460	927	432	561
0.3S-0150-40-OP	290	835	398	508	-	-	-	650	253	262	895	412	526	1140	565	790	1262	641	922	1385	716	1054
0.3S-0150-45-OP	230	834	398	507	664	263	278	974	462	612	1284	654	946	1594	845	1280	1749	940	1447	1904	1035	1614
0.3S-0150-50-OP	185	833	397	506	954	449	590	1337	687	1003	1720	922	1415	2103	1157	1828	2294	1274	2034	2485	1391	2240
0.3S-0150-60-OP	125	834	397	506	1628	866	1317	2180	1204	1911	2731	1541	2504	-	-	-	-	-	-	-	-	-
0.9S-0200-40-OP	350	1072	500	618	-	-	-	712	171	171	995	418	476	1278	598	781	1420	687	934	1562	775	1086

NOTES:

- MOP: Maximum Operating Pressure
- BTC: Break to Close
- ETC: End to Close
- RTC: Run to Close
- RTO: Run to Open
- BTO: Break to Open
- ETO: End to Open

Model	MOP (barg)	BTO	RTO	ETO	Operating supply pressure (barg)																	
					170			180			200			220			240			MOT@MOP		
					BTC	RTC	ETC	BTC	RTC	ETC	BTC	RTC	ETC	BTC	RTC	ETC	BTC	RTC	ETC	BTC	RTC	ETC
0.3S-008A-20-OP	350	227	103	122	372	187	266	403	206	299	464	243	365	525	281	431	586	319	496	923	525	859
0.3S-008A-28-OP	350	226	102	120	870	492	802	930	529	867	1050	602	996	1170	676	1126	1290	749	1255	1950	1152	1966
0.3S-008A-35-OP	325	225	101	119	1443	842	1420	1537	900	1521	1724	1014	1723	1912	1129	1925	2099	1243	2127	2896	1730	2986
0.3S-008B-20-OP	350	339	114	114	367	128	128	397	155	161	459	195	227	520	235	293	581	273	359	918	482	722
0.3S-008B-28-OP	350	337	113	113	865	449	664	925	486	729	1045	560	858	1165	633	988	1285	707	1117	1945	1111	1828
0.3S-008B-35-OP	335	336	112	112	1438	801	1282	1532	858	1383	1719	973	1585	1907	1087	1787	2094	1202	1989	2985	1746	2949
0.3S-008C-20-OP	350	407	146	146	330	43	43	361	76	76	422	142	142	483	194	208	545	234	274	881	445	637
0.3S-008C-28-OP	350	406	144	144	828	412	579	888	449	644	1008	523	773	1128	597	903	1248	671	1032	1909	1075	1743
0.3S-008C-35-OP	340	405	144	144	1401	765	1197	1495	822	1298	1683	937	1500	1870	1052	1702	2058	1166	1904	2995	1739	2915
0.3S-0100-28-OP	350	658	280	306	654	256	266	714	296	331	834	373	460	954	449	590	1074	524	719	1734	931	1430
0.3S-0100-35-OP	350	658	280	305	1227	619	884	1321	676	985	1508	792	1187	1696	907	1389	1883	1022	1591	2915	1654	2703
0.3S-0100-40-OP	275	656	278	303	1713	918	1408	1835	993	1540	2080	1143	1804	2325	1293	2068	2570	1443	2331	2999	1705	2793
0.3S-0100-45-OP	215	655	278	302	2265	1256	2002	2420	1351	2170	2730	1541	2504	-	-	-	-	-	-	2962	1683	2754
0.3S-0100-50-OP	175	654	277	301	2882	1634	2668	-	-	-	-	-	-	-	-	-	-	-	-	2978	1693	2771
0.3S-0150-35-OP	350	837	399	510	1021	491	662	1115	549	763	1302	665	965	1490	781	1167	1677	896	1369	2709	1528	2481
0.3S-0150-40-OP	290	835	398	508	1507	792	1186	1630	867	1318	1875	1017	1582	2120	1167	1846	2365	1317	2110	2977	1692	2770
0.3S-0150-45-OP	230	834	398	507	2059	1130	1781	2214	1225	1948	2524	1415	2282	2834	1605	2616	-	-	-	2989	1699	2783
0.3S-0150-50-OP	185	833	397	506	2677	1508	2446	2868	1625	2652	-	-	-	-	-	-	-	-	-	2964	1684	2756
0.3S-0150-60-OP	125	834	397	506	-	-	-	-	-	-	-	-	-	-	-	-	-	-	-	2869	1626	2653
0.9S-0200-40-OP	350	1072	500	618	1703	863	1239	1845	950	1391	2128	1124	1697	2411	1298	2002	2695	1472	2307	4252	2425	3986

NOTES:

- MOT: Maximum Operating Torque
- MOP: Maximum Operating Pressure
- BTC: Break to Close
- RTC: Run to Close
- ETC: End to Close
- BTO: Break to Open
- RTO: Run to Open
- ETO: End to Open

Model	MOP (barg)	BTO	RTO	ETO	Operating supply pressure (barg)																	
					80			100			120			140			150			160		
					BTC	RTC	ETC	BTC	RTC	ETC	BTC	RTC	ETC	BTC	RTC	ETC	BTC	RTC	ETC	BTC	RTC	ETC
0.9S-0200-45-OP	350	1071	499	617	728	188	188	1087	477	575	1445	703	961	1804	925	1347	1983	1035	1540	2162	1146	1734
0.9S-0200-50-OP	350	1071	499	616	1064	463	550	1507	741	1027	1949	1014	1504	2392	1286	1981	2613	1422	2219	2834	1558	2458
0.9S-0200-60-OP	300	1071	499	616	1843	949	1390	2481	1341	2077	3118	1732	2763	3755	2121	3450	4074	2316	3793	4393	2511	4137
0.9S-0250-40-OP	350	1297	647	875	-	-	-	-	-	-	737	198	198	1020	435	503	1162	525	656	1304	614	808
0.9S-0250-45-OP	350	1296	646	873	-	-	-	829	297	297	1187	541	683	1546	765	1069	1725	876	1262	1904	987	1456
0.9S-0250-50-OP	350	1295	646	872	806	272	272	1249	580	749	1691	855	1226	2134	1128	1703	2355	1264	1941	2576	1400	2180
0.9S-0250-60-OP	305	1296	646	873	1585	790	1112	2223	1183	1799	2860	1574	2485	3497	1964	3172	3816	2159	3515	4135	2353	3859
0.9S-0250-70-OP	225	1295	646	873	2506	1356	2104	3373	1888	3038	4241	2418	3973	5108	2948	4908	5542	3213	5375	5975	3478	5842
0.9S-0350-45-OP	350	2022	951	1189	-	-	-	-	-	-	-	-	-	1179	169	169	1358	362	362	1538	555	555
0.9S-0350-50-OP	350	2022	950	1188	-	-	-	-	-	-	1325	326	326	1767	726	803	1988	869	1041	2210	1010	1279
0.9S-0350-60-OP	320	2022	951	1189	1219	212	212	1856	784	898	2493	1188	1585	3131	1584	2272	3449	1781	2615	3768	1977	2959
0.9S-0350-70-OP	235	2022	951	1188	2139	966	1203	3006	1507	2138	3874	2042	3073	4741	2575	4007	5175	2841	4475	5609	3106	4942
0.9S-0350-85-OP	160	2016	947	1182	3779	1984	2971	5058	2769	4349	6337	3552	5727	7616	4335	7105	8256	4726	7794	8895	5116	8484
0.9S-0400-50-OP	350	2411	1205	1633	-	-	-	-	-	-	-	-	-	1320	321	321	1541	559	559	1762	723	797
0.9S-0400-60-OP	335	2411	1205	1634	-	-	-	1409	416	416	2046	906	1103	2683	1307	1790	3002	1505	2133	3321	1701	2477
0.9S-0400-70-OP	245	2411	1205	1633	1692	676	721	2559	1229	1656	3427	1767	2591	4294	2300	3525	4728	2567	3993	5161	2832	4460
0.9S-0400-85-OP	165	2405	1201	1627	3332	1708	2489	4611	2495	3867	5890	3279	5245	7169	4061	6623	7808	4452	7312	8448	4843	8002
0.9S-0700-60-OP	350	3379	1638	2132	-	-	-	-	-	-	-	-	-	2125	591	591	2443	929	935	2762	1144	1278
0.9S-0700-70-OP	260	3379	1637	2131	-	-	-	2000	458	458	2868	1213	1392	3735	1764	2327	4169	2035	2794	4603	2304	3262
0.9S-0700-85-OP	175	3373	1633	2125	2773	1151	1290	4052	1962	2668	5331	2754	4047	6610	3541	5425	7250	3933	6114	7889	4325	6803

NOTES:

- MOP: Maximum Operating Pressure
- BTC: Break to Close
- ETC: End to Close
- RTC: Run to Close
- RTO: Run to Open
- BTO: Break to Open
- ETO: End to Open

Model	MOP (barg)	BTO	RTO	ETO	Operating supply pressure (barg)																	
					170			180			200			220			240			MOT@MOP		
					BTC	RTC	ETC	BTC	RTC	ETC	BTC	RTC	ETC	BTC	RTC	ETC	BTC	RTC	ETC	BTC	RTC	ETC
0.9S-0200-45-OP	350	1071	499	617	2341	1256	1927	2521	1366	2120	2879	1585	2506	3238	1805	2892	3596	2024	3279	5568	3229	5403
0.9S-0200-50-OP	350	1071	499	616	3055	1693	2696	3277	1829	2934	3719	2099	3411	4162	2370	3888	4604	2641	4365	7038	4128	6988
0.9S-0200-60-OP	300	1071	499	616	4711	2706	4480	5030	2901	4824	5667	3290	5510	6304	3679	6197	6942	4069	6884	8853	5236	8944
0.9S-0250-40-OP	350	1297	647	875	1445	703	961	1587	791	1114	1870	966	1419	2153	1140	1724	2437	1314	2029	3994	2268	3708
0.9S-0250-45-OP	350	1296	646	873	2084	1097	1649	2263	1207	1842	2621	1427	2228	2980	1647	2614	3338	1866	3001	5310	3072	5125
0.9S-0250-50-OP	350	1295	646	872	2798	1535	2418	3019	1671	2657	3461	1942	3133	3904	2212	3610	4346	2483	4087	6780	3970	6710
0.9S-0250-60-OP	305	1296	646	873	4453	2548	4202	4772	2743	4546	5409	3132	5232	6046	3522	5919	6684	3911	6606	8755	5176	8837
0.9S-0250-70-OP	225	1295	646	873	6409	3743	6310	6843	4008	6777	7710	4538	7712	8578	5067	8646	-	-	-	8794	5200	8880
0.9S-0350-45-OP	350	2022	951	1189	1717	693	748	1896	810	942	2255	1039	1328	2613	1263	1714	2972	1486	2100	4943	2699	4225
0.9S-0350-50-OP	350	2022	950	1188	2431	1149	1518	2652	1287	1756	3095	1562	2233	3537	1835	2710	3980	2107	3187	6414	3599	5810
0.9S-0350-60-OP	320	2022	951	1189	4087	2173	3302	4405	2369	3645	5043	2760	4332	5680	3150	5019	6317	3540	5705	8866	5099	8452
0.9S-0350-70-OP	235	2022	951	1188	6042	3372	5410	6476	3637	5877	7344	4168	6812	8211	4698	7746	-	-	-	8861	5096	8447
0.9S-0350-85-OP	160	2016	947	1182	-	-	-	-	-	-	-	-	-	-	-	-	-	-	-	8895	5116	8484
0.9S-0400-50-OP	350	2411	1205	1633	1984	866	1036	2205	1007	1274	2647	1284	1751	3090	1559	2228	3533	1832	2705	5967	3326	5328
0.9S-0400-60-OP	335	2411	1205	1634	3639	1898	2820	3958	2094	3163	4595	2485	3850	5232	2876	4537	5870	3266	5223	8897	5117	8485
0.9S-0400-70-OP	245	2411	1205	1633	5595	3098	4928	6029	3364	5395	6896	3894	6330	7764	4425	7264	8631	4955	8199	8848	5087	8433
0.9S-0400-85-OP	165	2405	1201	1627	-	-	-	-	-	-	-	-	-	-	-	-	-	-	-	8768	5038	8346
0.9S-0700-60-OP	350	3379	1638	2132	3081	1350	1621	3399	1553	1965	4036	1952	2651	4674	2348	3338	5311	2742	4025	8816	4893	7802
0.9S-0700-70-OP	260	3379	1637	2131	5036	2572	3729	5470	2840	4196	6337	3373	5131	7205	3906	6066	8072	4437	7000	8940	4969	7935
0.9S-0700-85-OP	175	3373	1633	2125	8529	4717	7492	-	-	-	-	-	-	-	-	-	-	-	-	8848	4913	7837

NOTES:

- MOT: Maximum Operating Torque
- MOP: Maximum Operating Pressure
- BTC: Break to Close
- RTC: Run to Close
- ETC: End to Close
- BTO: Break to Open
- RTO: Run to Open
- ETO: End to Open

OLGAS-H Spring-Return Hydraulic Actuator

Output Torques (Nm) - Symmetric Yoke Design, Spring to Open

Models 1.5S-1100-70-OP to 14S-8300-200-OP

Model	MOP (barg)	BTO	RTO	ETO	Operating supply pressure (barg)																	
					80			100			120			140			150			160		
					BTC	RTC	ETC	BTC	RTC	ETC	BTC	RTC	ETC	BTC	RTC	ETC	BTC	RTC	ETC	BTC	RTC	ETC
1.5S-1100-70-OP	350	6898	2665	2964	-	-	-	-	-	-	-	-	-	3661	389	389	4163	1030	1030	4665	1671	1671
1.5S-1100-85-OP	245	6890	2660	2956	-	-	-	4028	857	857	5508	2528	2748	6988	3563	4639	7728	4068	5584	8468	4570	6529
1.5S-1100-95-OP	195	6884	2656	2950	4017	844	844	5866	2783	3205	7715	4059	5567	9564	5309	7929	10488	5929	9110	11413	6548	10291
1.5S-1100-110-OP	145	6887	2658	2953	6540	3254	4066	9019	4941	7233	11498	6605	10399	13976	8260	13565	-	-	-	-	-	-
1.5S-1200-70-OP	350	8047	3389	4107	-	-	-	-	-	-	-	-	-	-	-	-	-	-	-	3519	247	247
1.5S-1200-85-OP	260	8039	3384	4100	-	-	-	-	-	-	4362	1324	1324	5842	2779	3215	6582	3295	4160	7322	3803	5106
1.5S-1200-95-OP	210	8033	3380	4093	-	-	-	4720	1782	1782	6569	3286	4143	8418	4547	6505	9342	5170	7686	10267	5791	8867
1.5S-1200-110-OP	155	8036	3382	4097	5394	2459	2642	7873	4177	5809	10352	5848	8975	12830	7505	12141	14070	8332	13725	-	-	-
3S-2000-70-OP	350	11658	5203	6609	-	-	-	-	-	-	-	-	-	4637	153	153	5481	1201	1201	6324	2248	2248
3S-2000-85-OP	285	11645	5195	6596	-	-	-	5253	919	919	7741	3556	4007	10229	5255	7096	11473	6088	8640	12716	6915	10184
3S-2000-95-OP	230	11635	5189	6586	5236	896	896	8343	3974	4754	11450	6073	8612	14558	8134	12471	16112	9160	14400	17665	10183	16329
3S-2000-110-OP	170	11640	5192	6591	9476	4747	6161	13642	7528	11333	17808	10277	16506	21974	13015	21678	24057	14383	24265	26140	15752	26851
6S-2500-85-OP	350	16573	7577	9854	-	-	-	-	-	-	6850	981	981	9765	4315	4586	11222	5336	6388	12679	6328	8190
6S-2500-95-OP	322	16561	7570	9842	-	-	-	7556	1854	1854	11196	5318	6356	14836	7776	10858	16656	8986	13109	18477	10191	15361
6S-2500-110-OP	265	16567	7573	9848	8882	3495	3495	13763	7058	9531	18644	10301	15567	23524	13515	21604	25965	15117	24622	28405	16717	27640
6S-2500-125-OP	205	16551	7564	9833	14555	7588	10511	20858	11761	18306	27161	15901	26101	33463	20033	33896	36614	22099	37793	39766	24165	41691
6S-2500-135-OP	175	16540	7557	9821	18740	10365	15686	26091	15200	24779	33442	20020	33871	40794	24839	42963	44469	27249	47509	48145	29659	52055
6S-3800-85-OP	350	22544	10843	14858	-	-	-	-	-	-	-	-	-	-	-	-	-	-	-	7558	794	794
6S-3800-95-OP	322	22532	10836	14846	-	-	-	-	-	-	-	-	-	9716	3462	3462	11536	5202	5713	13356	6464	7964
6S-3800-110-OP	290	22538	10840	14853	-	-	-	8642	2134	2134	13523	6578	8171	18404	9852	14207	20844	11468	17225	23284	13078	20244

NOTES:

- MOP: Maximum Operating Pressure
- BTC: Break to Close
- ETC: End to Close
- RTC: Run to Close
- RTO: Run to Open
- BTO: Break to Open
- ETO: End to Open

Model	MOP (barg)	BTO	RTO	ETO	Operating supply pressure (barg)																	
					170			180			200			220			240			MOT@MOP		
					BTC	RTC	ETC	BTC	RTC	ETC	BTC	RTC	ETC	BTC	RTC	ETC	BTC	RTC	ETC	BTC	RTC	ETC
1.5S-1100-70-OP	350	6898	2665	2964	5167	2277	2312	5669	2643	2953	6673	3346	4236	7676	4033	5518	8680	4713	6800	14201	8410	13853
1.5S-1100-85-OP	245	6890	2660	2956	9208	5069	7475	9948	5567	8420	11428	6558	10311	12908	7547	12201	14389	8535	14092	14759	8781	14565
1.5S-1100-95-OP	195	6884	2656	2950	12337	7166	11471	13261	7783	12652	-	-	-	-	-	-	-	-	-	14648	8708	14423
1.5S-1100-110-OP	145	6887	2658	2953	-	-	-	-	-	-	-	-	-	-	-	-	-	-	-	14596	8673	14357
1.5S-1200-70-OP	350	8047	3389	4107	4021	888	888	4523	1530	1530	5527	2554	2812	6530	3259	4094	7534	3947	5376	13055	7655	12429
1.5S-1200-85-OP	260	8039	3384	4100	8062	4306	6051	8802	4806	6996	10282	5801	8887	11763	6792	10777	13243	7780	12668	14723	8767	14559
1.5S-1200-95-OP	210	8033	3380	4093	11191	6410	10048	12115	7028	11228	13964	8261	13590	-	-	-	-	-	-	14889	8878	14771
1.5S-1200-110-OP	155	8036	3382	4097	-	-	-	-	-	-	-	-	-	-	-	-	-	-	-	14689	8745	14516
3S-2000-70-OP	350	11658	5203	6609	7168	3147	3295	8011	3745	4343	9698	4898	6437	11386	6030	8532	13073	7151	10627	22352	13263	22147
3S-2000-85-OP	285	11645	5195	6596	13960	7739	11729	15204	8561	13273	17692	10200	16361	20179	11836	19450	22667	13470	22539	28264	17147	29488
3S-2000-95-OP	230	11635	5189	6586	19219	11205	18258	20773	12225	20187	23880	14267	24045	26987	16308	27903	-	-	-	28541	17329	29832
3S-2000-110-OP	170	11640	5192	6591	28223	17120	29437	-	-	-	-	-	-	-	-	-	-	-	-	28223	17120	29437
6S-2500-85-OP	350	16573	7577	9854	14136	7308	9992	15593	8280	11795	18508	10211	15399	21422	12133	19003	24336	14048	22608	40365	24558	42432
6S-2500-95-OP	322	16561	7570	9842	20297	11391	17612	22117	12590	19863	25757	14981	24365	29398	17368	28868	33038	19754	33370	53060	32881	58133
6S-2500-110-OP	265	16567	7573	9848	30845	18317	30658	33286	19917	33677	38166	23117	39713	43047	26317	45749	47928	29516	51786	54028	33516	59331
6S-2500-125-OP	205	16551	7564	9833	42917	26231	45588	46068	28297	49486	52371	32429	57281	-	-	-	-	-	-	53946	33462	59230
6S-2500-135-OP	175	16540	7557	9821	51821	32069	56601	-	-	-	-	-	-	-	-	-	-	-	-	53658	33274	58874
6S-3800-85-OP	350	22544	10843	14858	9016	2596	2596	10473	4398	4398	13387	6485	8002	16301	8451	11607	19215	10391	15211	35244	20930	35035
6S-3800-95-OP	322	22532	10836	14846	15176	7697	10215	16996	8915	12466	20637	11331	16969	24277	13733	21471	27917	16125	25973	47939	29253	50736
6S-3800-110-OP	290	22538	10840	14853	25725	14685	23262	28165	16288	26280	33046	19489	32316	37926	22689	38353	42807	25889	44389	55009	33888	59480

NOTES:

- MOT: Maximum Operating Torque
- MOP: Maximum Operating Pressure
- BTC: Break to Close
- RTC: Run to Close
- ETC: End to Close
- BTO: Break to Open
- RTO: Run to Open
- ETO: End to Open

Model	MOP (barg)	BTO	RTO	ETO	Operating supply pressure (barg)																	
					80			100			120			140			150			160		
					BTC	RTC	ETC	BTC	RTC	ETC	BTC	RTC	ETC	BTC	RTC	ETC	BTC	RTC	ETC	BTC	RTC	ETC
6S-3800-125-OP	225	22522	10830	14837	9435	3114	3114	15737	8074	10909	22040	12258	18704	28342	16405	26499	31494	18472	30397	34645	20538	34294
6S-3800-135-OP	190	22511	10823	14826	13619	6643	8290	20971	11552	17382	28322	16391	26474	35673	21212	35566	39349	23621	40112	43024	26031	44658
14S-5100-95-OP	322	27589	13067	17786	-	-	-	-	-	-	-	-	-	8524	628	628	10479	3126	3126	12434	5502	5623
14S-5100-110-OP	350	27596	13072	17793	-	-	-	-	-	-	12613	5635	5853	17856	9302	12549	20477	11080	15898	23098	12847	19246
14S-5100-125-OP	345	27579	13061	17776	8222	243	243	14992	7330	8891	21762	11947	17538	28531	16486	26186	31916	18746	30510	35301	21004	34834
14S-5100-135-OP	345	27566	13054	17764	12717	5712	5985	20613	11172	16071	28509	16472	26158	36405	21740	36244	40353	24374	41288	44301	27008	46331
14S-5100-145-OP	265	27578	13061	17775	17580	9113	12197	26689	15254	23833	35798	21336	35469	44908	27413	47105	49462	30451	52923	54017	33489	58741
14S-5100-175-OP	180	27542	13040	17741	34186	20260	33409	47454	29111	50358	60723	37956	67308	73991	46795	84257	80626	51211	92731	87260	55626	101206
14S-5100-200-OP	135	27508	13019	17708	50403	31078	54124	67733	42626	76262	85063	54165	98400	-	-	-	-	-	-	-	-	-
14S-5400-110-OP	350	35538	16140	21088	-	-	-	-	-	-	-	-	-	14126	2711	2711	16747	6059	6059	19368	8801	9408
14S-5400-125-OP	345	35521	16129	21071	-	-	-	-	-	-	18032	7700	7700	24801	12611	16348	28186	14922	20671	31571	17213	24995
14S-5400-135-OP	345	35508	16122	21059	-	-	-	16883	6233	6233	24779	12596	16319	32675	17957	26406	36623	20611	31449	40571	23255	36493
14S-5400-145-OP	280	35520	16129	21070	13850	2359	2359	22959	11340	13995	32069	17548	25631	41178	23661	37267	45732	26704	43085	50287	29742	48903
14S-5400-175-OP	190	35484	16108	21036	30456	16460	23571	43724	25364	40520	56993	34216	57469	70261	43067	74419	76896	47493	82893	83530	51916	91368
14S-5400-185-OP	170	35471	16100	21023	36683	20651	31526	51511	30559	50467	66340	40451	69409	81168	50342	88350	88582	55281	97821	95996	60220	107292
14S-5400-200-OP	145	35450	16087	21003	46673	27331	44286	64003	38892	66424	81333	50452	88562	98664	61997	110699	-	-	-	-	-	-
14S-8300-125-OP	345	45565	20831	27395	-	-	-	-	-	-	-	-	-	18122	3905	3905	21507	8229	8229	24892	11468	12553
14S-8300-135-OP	345	45552	20823	27383	-	-	-	-	-	-	18100	3877	3877	25996	12257	13964	29945	15014	19007	33893	17720	24050
14S-8300-145-OP	300	45564	20830	27394	-	-	-	16280	1552	1552	25390	11825	13189	34499	18133	24825	39054	21219	30643	43608	24286	36461
14S-8300-175-OP	205	45529	20809	27360	23777	10658	11129	37046	19861	28078	50314	28782	45027	63583	37641	61976	70217	42067	70451	76851	46493	78925
14S-8300-185-OP	185	45515	20801	27347	30004	15055	19083	44833	25108	38025	59661	35025	56966	74489	44917	75908	81903	49863	85379	89317	54809	94850
14S-8300-200-OP	155	45494	20789	27327	39994	21853	31844	57324	33466	53982	74654	45028	76119	91985	56589	98257	100650	62369	109326	-	-	-

NOTES:

- MOP: Maximum Operating Pressure
- BTC: Break to Close
- ETC: End to Close
- RTC: Run to Close
- RTO: Run to Open
- BTO: Break to Open
- ETO: End to Open

Model	MOP (barg)	BTO	RTO	ETO	Operating supply pressure (barg)																	
					170			180			200			220			240			MOT@MOP		
					BTC	RTC	ETC	BTC	RTC	ETC	BTC	RTC	ETC	BTC	RTC	ETC	BTC	RTC	ETC	BTC	RTC	ETC
6S-3800-125-OP	225	22522	10830	14837	37796	22604	38192	40947	24670	42089	47250	28802	49884	53552	32934	57679	-	-	-	55128	33967	59628
6S-3800-135-OP	190	22511	10823	14826	46700	28441	49204	50376	30851	53750	-	-	-	-	-	-	-	-	-	54051	33261	58296
14S-5100-95-OP	322	27589	13067	17786	14389	6908	8121	16344	8266	10618	20254	10929	15613	24164	13562	20608	28074	16181	25603	49580	30530	53074
14S-5100-110-OP	350	27596	13072	17793	25719	14605	22594	28341	16359	25943	33583	19858	32639	38825	23355	39336	44068	26852	46033	72901	46069	82864
14S-5100-125-OP	345	27579	13061	17776	38686	23262	39157	42070	25520	43481	48840	30036	52129	55610	34550	60776	62379	39060	69424	99612	63847	116985
14S-5100-135-OP	345	27566	13054	17764	48249	29642	51374	52197	32276	56417	60094	37537	66504	67990	42797	76590	75886	48057	86677	101548	65136	119458
14S-5100-145-OP	265	27578	13061	17775	58572	36523	64560	63126	39557	70378	72235	45626	82014	81345	51690	93650	90454	57752	105286	101840	65330	119831
14S-5100-175-OP	180	27542	13040	17741	93894	60042	109681	100528	64457	118155	-	-	-	-	-	-	-	-	-	100528	64457	118155
14S-5100-200-OP	135	27508	13019	17708	-	-	-	-	-	-	-	-	-	-	-	-	-	-	-	98061	62815	115003
14S-5400-110-OP	350	35538	16140	21088	21990	10664	12756	24611	12480	16104	29853	16052	22801	35096	19585	29498	40338	23099	36194	69171	42340	73026
14S-5400-125-OP	345	35521	16129	21071	34956	19492	29319	38341	21763	33643	45110	26289	42290	51880	30805	50938	58649	35321	59585	95883	60145	107147
14S-5400-135-OP	345	35508	16122	21059	44519	25895	41536	48467	28528	46579	56364	33796	56666	64260	39064	66752	72156	44331	76839	105714	66694	119706
14S-5400-145-OP	280	35520	16129	21070	54842	32781	54721	59396	35819	60539	68505	41896	72176	77615	47973	83812	86724	54043	95448	104942	66180	118720
14S-5400-175-OP	190	35484	16108	21036	90164	56335	99842	96798	60755	108317	-	-	-	-	-	-	-	-	-	103433	65174	116792
14S-5400-185-OP	170	35471	16100	21023	103410	65159	116763	-	-	-	-	-	-	-	-	-	-	-	-	103410	65159	116763
14S-5400-200-OP	145	35450	16087	21003	-	-	-	-	-	-	-	-	-	-	-	-	-	-	-	102996	64883	116234
14S-8300-125-OP	345	45565	20831	27395	28277	13858	16877	31662	16195	21200	38431	20798	29848	45201	25355	38496	51971	29890	47143	89204	54734	94705
14S-8300-135-OP	345	45552	20823	27383	37841	20399	29093	41789	23062	34137	49685	28361	44223	57581	33638	54310	65477	38905	64396	108906	67869	119872
14S-8300-145-OP	300	45564	20830	27394	48163	27343	42279	52717	30390	48097	61827	36470	59733	70936	42547	71369	80045	48624	83005	107373	66848	117914
14S-8300-175-OP	205	45529	20809	27360	83485	50919	87400	90120	55345	95875	103388	64193	112824	-	-	-	-	-	-	106705	66403	117061
14S-8300-185-OP	185	45515	20801	27347	96731	59755	104320	104146	64698	113791	-	-	-	-	-	-	-	-	-	107853	67167	118527
14S-8300-200-OP	155	45494	20789	27327	-	-	-	-	-	-	-	-	-	-	-	-	-	-	-	104982	65255	114860

NOTES:

- MOT: Maximum Operating Torque
- MOP: Maximum Operating Pressure
- BTC: Break to Close
- RTC: Run to Close
- ETC: End to Close
- BTO: Break to Open
- RTO: Run to Open
- ETO: End to Open

OLGAS-H Spring-Return Hydraulic Actuator

Output Torques (Nm) - Symmetric Yoke Design, Spring to Open

Models 18S-9600-145-OP to 50S-15600-300-OP

Model	MOP (barg)	BTO	RTO	ETO	Operating supply pressure (barg)																	
					80			100			120			140			150			160		
					BTC	RTC	ETC	BTC	RTC	ETC	BTC	RTC	ETC	BTC	RTC	ETC	BTC	RTC	ETC	BTC	RTC	ETC
18S-9600-145-OP	350	71907	29649	35169	-	-	-	-	-	-	-	-	-	34560	4356	4356	39799	11045	11045	45039	17734	17734
18S-9600-175-OP	275	71866	29624	35129	-	-	-	37489	8096	8096	52753	24621	27583	68017	35218	47069	75649	40408	56812	83281	45564	66555
18S-9600-185-OP	245	71850	29615	35114	-	-	-	46447	19532	19532	63506	32127	41309	80564	43732	63086	89093	49477	73974	97622	55199	84862
18S-9600-200-OP	210	71826	29600	35091	40881	12426	12426	60818	30272	37877	80754	43861	63329	100691	57255	88780	110659	63921	101505	120627	70573	114231
18S-9600-235-OP	150	71761	29560	35028	71178	37372	51103	98702	55924	86241	126227	74308	121380	153752	92664	156519	167515	101842	174088	-	-	-
18S-9800-145-OP	350	91260	37200	43621	-	-	-	-	-	-	-	-	-	-	-	-	-	-	-	-	-	-
18S-9800-175-OP	273	91219	37175	43581	-	-	-	-	-	-	43279	3608	3608	58543	23094	23094	66175	30299	32838	73807	35713	42581
18S-9800-185-OP	244	91204	37166	43566	-	-	-	-	-	-	54031	17335	17335	71089	33804	39112	79618	39753	50000	88147	45610	60888
18S-9800-200-OP	225	91179	37151	43543	-	-	-	51343	13903	13903	71279	33938	39354	91216	47704	64806	101184	54465	77531	111152	61190	90257
18S-9800-235-OP	165	91114	37111	43480	61703	27010	27129	89228	46347	62267	116753	64958	97406	144277	83392	132544	158040	92575	150114	171802	101753	167683
18S-10500-175-OP	273	106444	43581	51330	-	-	-	-	-	-	-	-	-	50088	4234	4234	57720	13977	13977	65352	23720	23720
18S-10500-185-OP	244	106429	43572	51316	-	-	-	-	-	-	-	-	-	62635	20251	20251	71164	31094	31139	79693	37311	42027
18S-10500-200-OP	235	106405	43557	51292	-	-	-	-	-	-	62825	20494	20494	82762	39485	45945	92730	46429	58670	102698	53268	71396
18S-10500-235-OP	170	106340	43517	51229	53249	8268	8268	80774	38080	43407	108298	57081	78545	135823	75664	113684	149586	84896	131253	163348	94100	148822
18S-11000-175-OP	273	119392	51466	63830	-	-	-	-	-	-	-	-	-	-	-	-	-	-	-	52789	7681	7681
18S-11000-185-OP	244	119376	51456	63815	-	-	-	-	-	-	-	-	-	50071	4212	4212	58600	15100	15100	67130	25989	25989
18S-11000-200-OP	250	119352	51441	63791	-	-	-	-	-	-	50262	4455	4455	70198	29906	29906	80166	37648	42632	90135	44635	55357
18S-11000-235-OP	180	119287	51402	63729	-	-	-	68210	27368	27368	95735	48498	62506	123260	67209	97645	137022	76468	115214	150785	85698	132783
32S-12000-175-OP	273	134555	54671	62899	-	-	-	-	-	-	-	-	-	-	-	-	66145	2333	2333	75239	13625	13625
32S-12000-200-OP	325	134509	54642	62854	-	-	-	-	-	-	72228	9886	9886	95985	39382	39382	107864	48971	54130	119743	57245	68878

NOTES:

Model 80S is available on request.

- MOP: Maximum Operating Pressure
- BTC: Break to Close
- ETC: End to Close
- RTC: Run to Close
- RTO: Run to Open
- BTO: Break to Open
- ETO: End to Open

Model	MOP (barg)	BTO	RTO	ETO	Operating supply pressure (barg)																	
					170			180			200			220			240			MOT@MOP		
					BTC	RTC	ETC	BTC	RTC	ETC	BTC	RTC	ETC	BTC	RTC	ETC	BTC	RTC	ETC	BTC	RTC	ETC
18S-9600-145-OP	350	71907	29649	35169	50279	22841	24423	55518	26579	31112	65997	33838	44490	76476	40968	57868	86956	48038	71245	144591	86555	144823
18S-9600-175-OP	275	71866	29624	35129	90913	50698	76298	98545	55819	86041	113809	66026	105527	129073	76206	125013	144337	86385	144499	171049	104199	178600
18S-9600-185-OP	245	71850	29615	35114	106151	60907	95751	114680	66607	106639	131738	77983	128416	148797	89359	150192	165855	100735	171969	170119	103579	177413
18S-9600-200-OP	210	71826	29600	35091	130595	77221	126956	140564	83869	139682	160500	97164	165133	-	-	-	-	-	-	170469	103812	177859
18S-9600-235-OP	150	71761	29560	35028	-	-	-	-	-	-	-	-	-	-	-	-	-	-	-	167515	101842	174088
18S-9800-145-OP	350	91260	37200	43621	40804	449	449	46043	7138	7138	56523	20516	20516	67002	30894	33893	77481	38274	47271	135116	77265	120849
18S-9800-175-OP	273	91219	37175	43581	81438	41011	52324	89070	46240	62067	104334	56596	81553	119598	66867	101039	134862	77095	120525	176838	105111	174111
18S-9800-185-OP	244	91204	37166	43566	96676	51415	71777	105206	57185	82665	122264	68656	104442	139322	80078	126218	156380	91468	147995	177703	105688	175216
18S-9800-200-OP	225	91179	37151	43543	121121	67889	102982	131089	74572	115708	151026	87897	141159	170962	101192	166610	-	-	-	175946	104516	172973
18S-9800-235-OP	165	91114	37111	43480	-	-	-	-	-	-	-	-	-	-	-	-	-	-	-	178684	106342	176468
18S-10500-175-OP	273	106444	43581	51330	72984	32454	33463	80616	37968	43206	95880	48598	62692	111144	59015	82178	126408	69329	101664	179832	105104	169865
18S-10500-185-OP	244	106429	43572	51316	88222	43305	52916	96751	49197	63804	113810	60822	85581	130868	72332	107357	147926	83784	129134	177778	103735	167243
18S-10500-200-OP	235	106405	43557	51292	112667	60049	84122	122635	66788	96847	142571	80191	122298	162508	93538	147750	-	-	-	177460	103523	166838
18S-10500-235-OP	170	106340	43517	51229	177111	103290	166391	-	-	-	-	-	-	-	-	-	-	-	-	177111	103290	166391
18S-11000-175-OP	273	119392	51466	63830	60421	17424	17424	68053	27167	27167	83317	39876	46653	98580	50453	66139	113844	60846	85625	178716	104360	168441
18S-11000-185-OP	244	119376	51456	63815	75659	34414	36877	84188	40488	47765	101246	52276	69542	118304	63862	91319	135362	75355	113095	178008	103888	167537
18S-11000-200-OP	250	119352	51441	63791	100103	51495	68083	110071	58286	80808	130008	71753	106259	149944	85136	131711	169881	98468	157162	179849	105116	169887
18S-11000-235-OP	180	119287	51402	63729	164547	94901	150353	178309	104089	167922	-	-	-	-	-	-	-	-	-	178309	104089	167922
32S-12000-175-OP	273	134555	54671	62899	84334	24916	24916	93429	36208	36208	111618	51610	58791	129807	64129	81374	147997	76407	103957	248038	142693	228164
32S-12000-200-OP	325	134509	54642	62854	131622	65361	83627	143500	73388	98375	167258	89282	127871	191015	105057	157367	214773	120766	186864	315742	187195	312223

NOTES:

Model 80S is available on request.

- MOT: Maximum Operating Torque
- MOP: Maximum Operating Pressure
- BTC: Break to Close
- RTC: Run to Close
- ETC: End to Close
- BTO: Break to Open
- RTO: Run to Open
- ETO: End to Open

Model	MOP (barg)	BTO	RTO	ETO	Operating supply pressure (barg)																	
					80			100			120			140			150			160		
					BTC	RTC	ETC	BTC	RTC	ETC	BTC	RTC	ETC	BTC	RTC	ETC	BTC	RTC	ETC	BTC	RTC	ETC
32S-12000-235-OP	235	134434	54595	62779	-	-	-	93616	36440	36440	126416	61819	77164	159216	83918	117887	175616	94843	138249	192016	105721	158611
32S-12000-250-OP	210	134398	54572	62743	78067	17135	17135	115188	54097	63223	152309	79303	109311	189430	104007	155399	207991	116287	178443	226551	128543	201488
32S-15000-175-OP	273	156616	66040	79017	-	-	-	-	-	-	-	-	-	-	-	-	-	-	-	-	-	-
32S-15000-200-OP	331	156570	66011	78971	-	-	-	-	-	-	-	-	-	79231	12053	12053	91110	26801	26801	102989	41549	41549
32S-15000-235-OP	245	156495	65965	78897	-	-	-	76862	9111	9111	109662	47941	49835	142462	70757	90558	158862	81824	110920	175262	92801	131282
32S-15000-250-OP	215	156459	65942	78861	-	-	-	98434	35894	35894	135555	66054	81982	172676	91073	128071	191237	103436	151115	209797	115743	174159
50S-15400-200-OP	331	169623	66634	73996	-	-	-	-	-	-	-	-	-	100952	18774	18774	114151	35161	35161	127350	51548	51548
50S-15400-235-OP	290	169539	66580	73913	-	-	-	98320	15505	15505	134764	58733	60754	171209	84183	106002	189431	96518	128626	207654	108743	151250
50S-15400-250-OP	255	169500	66555	73873	-	-	-	122289	45264	45264	163534	78938	96473	204780	106823	147682	225403	120585	173287	246025	134288	198891
50S-15400-300-OP	175	169447	66521	73822	153588	72075	84125	212982	112304	157866	272376	151736	231606	331769	190904	305347	361466	210443	342218	391163	229953	379088
50S-15600-200-OP	331	177431	71583	81746	-	-	-	-	-	-	-	-	-	93162	9102	9102	106361	25489	25489	119559	41875	41875
50S-15600-235-OP	295	177347	71530	81663	-	-	-	90529	5833	5833	126974	51081	51081	163419	78858	96330	181641	91260	118954	199863	103527	141578
50S-15600-250-OP	260	177307	71505	81624	-	-	-	114498	35592	35592	155744	73569	86801	196990	101597	138010	217612	115398	163614	238235	129123	189219
50S-15600-300-OP	180	177255	71472	81572	145798	66628	74453	205192	107098	148193	264585	146588	221934	323979	185774	295675	353676	205325	332546	383373	224835	369416

NOTES:

Model 80S is available on request.

- MOP: Maximum Operating Pressure
- BTC: Break to Close
- ETC: End to Close
- RTC: Run to Close
- RTO: Run to Open
- BTO: Break to Open
- ETO: End to Open

Model	MOP (barg)	BTO	RTO	ETO	Operating supply pressure (barg)																	
					170			180			200			220			240			MOT@MOP		
					BTC	RTC	ETC	BTC	RTC	ETC	BTC	RTC	ETC	BTC	RTC	ETC	BTC	RTC	ETC	BTC	RTC	ETC
32S-12000-235-OP	235	134434	54595	62779	208416	116568	178972	224817	127400	199334	257617	149001	240057	290417	170557	280781	-	-	-	315017	186719	311323
32S-12000-250-OP	210	134398	54572	62743	245112	140766	224532	263672	152987	247576	300793	177374	293664	-	-	-	-	-	-	319354	189568	316708
32S-15000-175-OP	273	156616	66040	79017	-	-	-	76675	8879	8879	94864	31462	31462	113053	50388	54045	131242	63100	76628	231284	129946	200835
32S-15000-200-OP	331	156570	66011	78971	114867	51684	56298	126746	60002	71046	150504	76198	100542	174261	92132	130038	198019	107937	159535	316806	186238	307017
32S-15000-235-OP	245	156495	65965	78897	191662	103719	151643	208062	114593	172005	240863	136273	212728	273663	157879	253452	306463	179443	294175	314663	184830	304356
32S-15000-250-OP	215	156459	65942	78861	228358	128014	197203	246918	140266	220247	284039	164712	266335	-	-	-	-	-	-	311880	183002	300901
50S-15400-200-OP	331	169623	66634	73996	140548	62907	67935	153747	72185	84321	180144	90249	117095	206541	108000	149869	232938	125599	182643	378123	221386	362898
50S-15400-235-OP	290	169539	66580	73913	225876	120900	173874	244098	133011	196498	280543	157130	241747	316987	181170	286995	353432	205165	332243	448188	267416	449888
50S-15400-250-OP	255	169500	66555	73873	266648	147953	224496	287271	161574	250100	328517	188762	301309	369762	215894	352518	411008	242990	403727	441942	263313	442134
50S-15400-300-OP	175	169447	66521	73822	420860	249463	415959	-	-	-	-	-	-	-	-	-	-	-	-	435708	259218	434394
50S-15600-200-OP	331	177431	71583	81746	132758	57259	58262	145956	66740	74649	172354	84961	107423	198751	102780	140197	225148	120416	172970	370332	216268	353226
50S-15600-235-OP	295	177347	71530	81663	218086	115714	164202	236308	127840	186826	272752	151985	232074	309197	176039	277323	345642	200040	322571	447686	267087	449266
50S-15600-250-OP	260	177307	71505	81624	258858	142793	214823	279481	156429	240428	320726	183632	291637	361972	210776	342846	403217	237872	394055	444463	264969	445264
50S-15600-300-OP	180	177255	71472	81572	413069	244345	406286	442766	263855	443157	-	-	-	-	-	-	-	-	-	442766	263855	443157

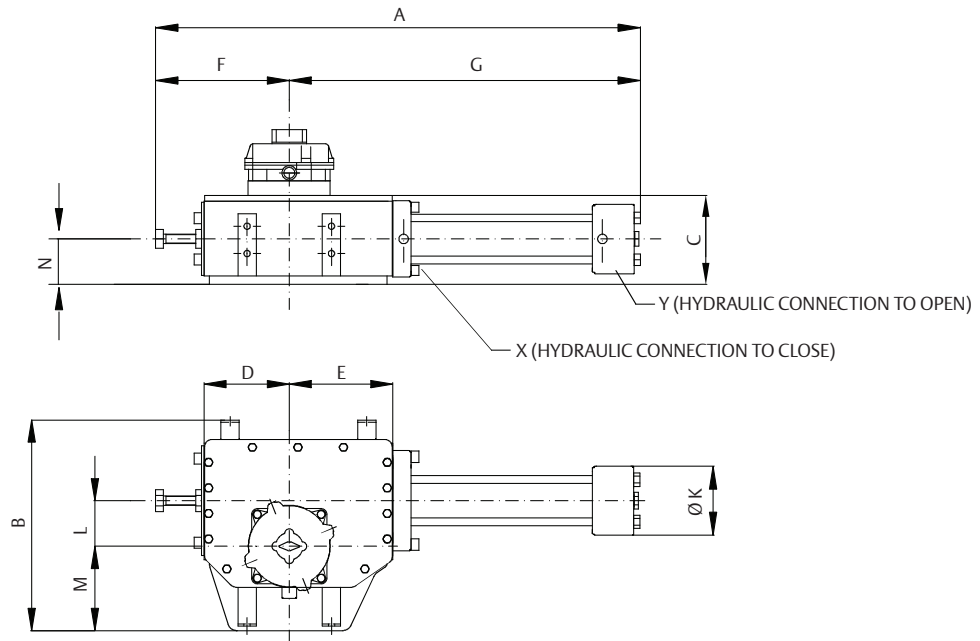
NOTES:

Model 80S is available on request.

- MOT: Maximum Operating Torque
- MOP: Maximum Operating Pressure
- BTC: Break to Close
- RTC: Run to Close
- ETC: End to Close
- BTO: Break to Open
- RTO: Run to Open
- ETO: End to Open

OLGA-H Double-Acting Hydraulic Actuator

Overall Dimensions - Models 0.3-28 to 1.5-95



Dimensions (mm)

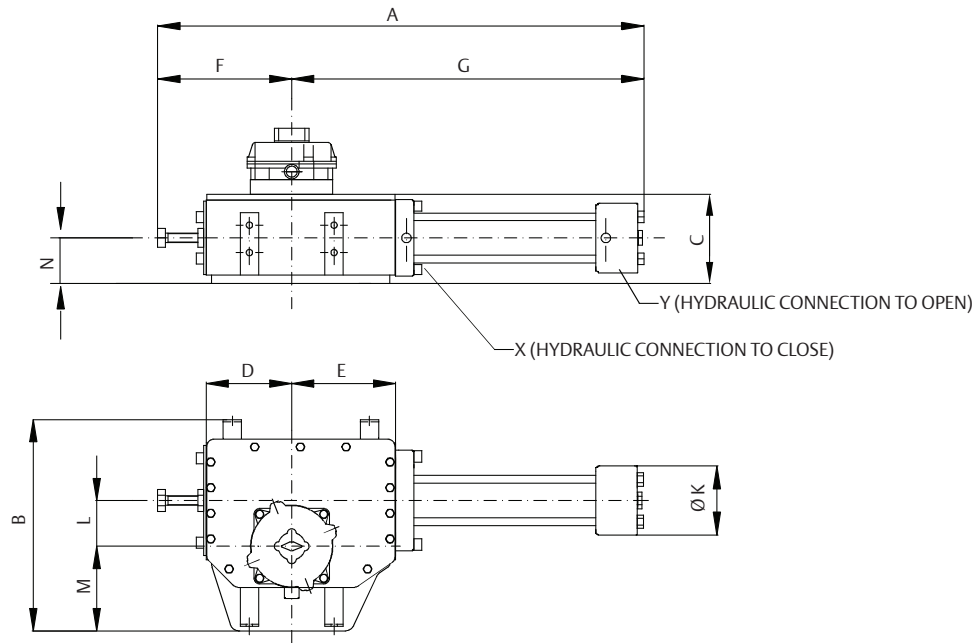
Model	A	B	C	D	E	F	G	ØK	L	M	N	Hydraulic connection (in.) (Y)	Hydraulic connection (in.) (X)	Weight (kg)	Oil displacement (liters)
0.3-28	753	319	144	136	151	221	532	75	70	119	70	1/2	1/2	40	0.10
0.3-35	747	319	163	136	151	221	526	75	70	119	70	1/2	1/2	43	0.15
0.3-45	772	319	163	136	151	221	551	90	70	119	70	1/2	1/2	51	0.26
0.3-50	772	319	163	136	151	221	551	90	70	119	70	1/2	1/2	47	0.30
0.3-60	798	319	163	136	151	221	577	100	70	119	70	1/2	1/2	51	0.45
0.9-45	837	413	175	160	190	247	590	90	80	170	82	1/2	1/2	68	0.30
0.9-50	837	413	187	160	190	247	590	90	80	170	82	1/2	1/2	58	0.35
0.9-60	863	413	187	160	190	247	616	100	80	170	82	1/2	1/2	63	0.50
0.9-70	934	413	187	160	190	247	687	120	80	170	82	1/2	1/2	81	0.70
0.9-85	933	413	187	160	190	247	686	125	80	170	82	1/2	1/2	86	1.10
1.5-50	1045	477	208	187	227	312	733	90	100	185	100	1/2	1/2	92	0.45
1.5-60	1003	469	227	187	227	312	691	100	100	185	100	1/2	1/2	100	0.65
1.5-70	1036	469	227	187	227	312	724	120	100	185	100	1/2	1/2	117	0.85
1.5-85	1035	469	227	187	227	312	723	125	100	185	100	1/2	1/2	122	1.30
1.5-95	1082	477	208	187	227	312	770	140	100	185	100	3/4	3/4	128	1.70

NOTE:

MHP manual override is available as an option

OLGA-H Double-Acting Hydraulic Actuator

Overall Dimensions - 3-60 to 6-125



Dimensions (mm)

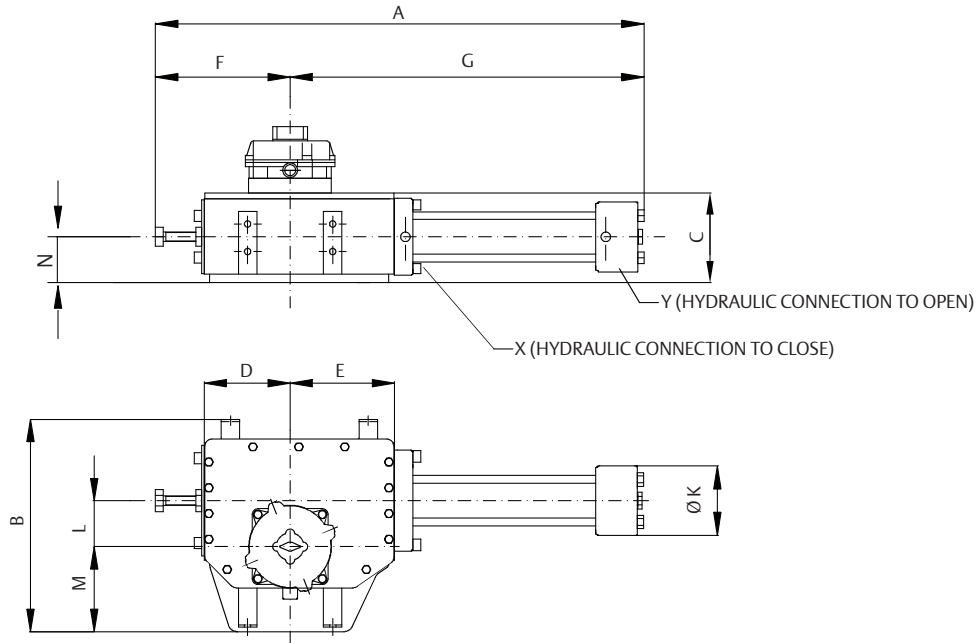
Model	A	B	C	D	E	F	G	ØK	L	M	N	Hydraulic connection (in.) (Y)	Hydraulic connection (in.) (X)	Weight (kg)	Oil displacement (liters)
3-60	1363	586	234	285	330	409	954	100	160	215	106	1/2	1/2	183	1.0
3-70	1372	586	234	285	330	409	963	120	160	215	106	1/2	1/2	193	1.4
3-85	1372	586	234	285	330	409	963	125	160	215	106	1/2	1/2	198	2.0
3-90	1478	586	215	285	330	409	1069	140	160	215	106	3/4	3/4	193	2.3
3-95	1476	586	234	285	330	409	1067	140	160	215	106	3/4	3/4	237	2.5
3-110	1512	586	234	285	330	409	1103	170	160	215	106	3/4	3/4	245	3.4
6-70	1538	740	297	327	379	466	1072	120	185	260	140	1/2	1/2	320	1.6
6-85	1664	740	297	327	379	560	1104	125	185	260	140	1/2	1/2	327	2.4
6-90	1578	740	297	327	379	466	1116	140	185	260	140	3/4	3/4	378	2.6
6-95	1582	740	297	327	379	466	1116	140	185	260	140	3/4	3/4	380	2.6
6-110	1618	740	297	327	379	466	1152	170	185	260	140	3/4	3/4	388	2.9
6-125	1677	740	297	327	379	466	1211	190	185	260	140	3/4	3/4	408	3.2

NOTE:

MHP manual override is available as an option

OLGA-H Spring-Return Hydraulic Actuator

Overall Dimensions - Models 14-85 to 80-200



Dimensions (mm)

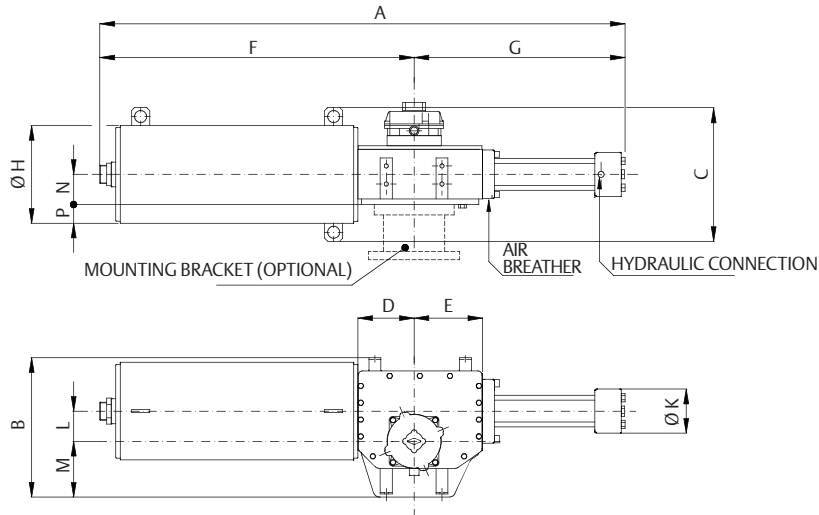
Model	A	B	C	D	E	F	G	ØK	L	M	N	Hydraulic connection (Y) (in.)	Hydraulic connection (X) (in.)	Weight (kg)	Oil displacement (liters)
14-85	1693	873	391	376	435	497	1196	125	200	330	193	1/2	1/2	480	2.5
14-95	1718	873	391	376	435	497	1221	140	200	330	193	3/4	3/4	488	3.2
14-110	1770	873	391	376	435	497	1273	170	200	330	193	3/4	3/4	518	4.2
14-125	1800	838	410	376	435	533	1267	190	200	295	193	3/4	3/4	630	5.4
14-135	1807	838	410	376	435	533	1274	200	200	295	193	3/4	3/4	650	6.2
14-145	1886	838	410	376	435	533	1353	250	200	295	193	3/4	3/4	695	7.3
14-175	1890	838	410	376	435	533	1357	280	200	295	193	3/4	3/4	775	10.6
14-185	1890	838	410	376	435	533	1357	280	200	295	193	3/4	3/4	821	12.0
14-200	1958	838	410	376	435	533	1425	320	200	295	193	3/4	3/4	850	13.8
18-125	1931	955	406	425	493	546	1385	190	230	355	193	3/4	3/4	744	6.4
18-145	1993	940	406	425	493	582	1411	250	230	340	193	3/4	3/4	850	8.4
18-175	1997	940	406	425	493	582	1415	280	230	340	193	3/4	3/4	925	12.2
18-185	1997	940	406	425	493	582	1415	280	230	340	193	3/4	3/4	753	14.0
18-200	2065	940	406	425	493	582	1483	320	230	340	193	3/4	3/4	1000	15.9
32-145	2260	1055	457	505	585	620	1640	250	270	395	233	3/4	3/4	1206	10.0
32-175	2233	1055	473	505	585	620	1613	280	270	395	232	3/4	3/4	1480	14.3
32-200	2290	1055	473	505	585	620	1670	320	270	395	232	3/4	3/4	1550	18.6
50-175	2466	1092	471	548	636	693	1773	280	300	387	233	3/4	3/4	1455	16.0
50-200	2518	1092	471	548	636	693	1825	320	300	387	233	3/4	3/4	1700	20.7
80-200	2908	1350	591	663	761	808	2100	320	350	450	302	3/4	3/4	2690	24.0

NOTE:

MHP manual override is available as an option

OLGAS-H Spring-Return Hydraulic Actuator

Overall Dimensions - Spring to Close, Models 0.3-008A-20-CL to 0.3-0150-60-CL



Dimensions (mm)

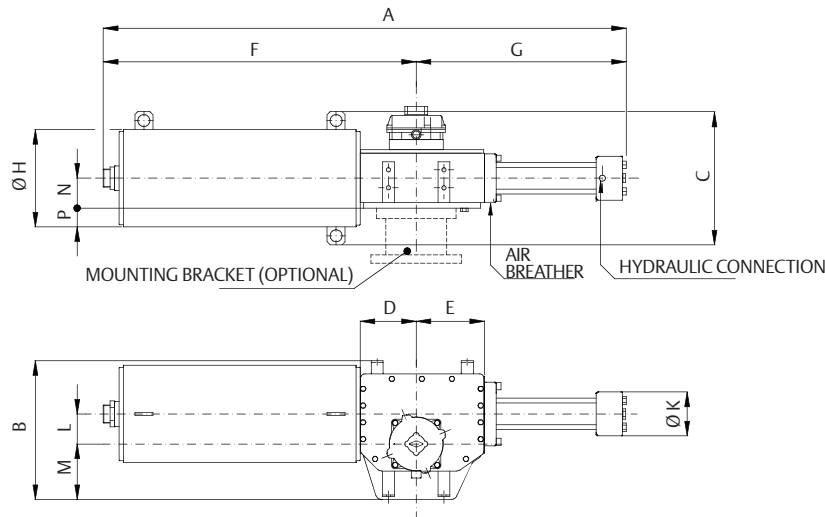
Model	A	B	C	D	E	F	G	ØH	ØK	L	M	N	P	Hydraulic connection NPT (in.)	Weight (kg)	Oil displacement (liters)
0.3-008A-20-CL	1178	319	200	136	151	715	463	150	54	70	119	70	4	3/8	60	0.05
0.3-008A-28-CL	1241	319	200	136	151	715	526	150	75	70	119	70	4	1/2	60	0.10
0.3-008A-35-CL	1241	319	200	136	151	715	526	150	75	70	119	70	4	1/2	60	0.15
0.3-008B-20-CL	1178	319	315	136	151	730	448	150	54	70	119	70	4	3/8	60	0.05
0.3-008B-28-CL	1241	319	200	136	151	715	526	150	75	70	119	70	4	1/2	60	0.10
0.3-008B-35-CL	1241	319	200	136	151	715	526	150	75	70	119	70	4	1/2	60	0.15
0.3-008-20-CL	1178	319	315	136	151	730	448	150	54	70	119	70	4	3/8	60	0.05
0.3-008-28-CL	1241	319	200	136	151	715	526	150	75	70	119	70	4	1/2	60	0.10
0.3-008-35-CL	1241	319	200	136	151	715	526	150	75	70	119	70	4	1/2	60	0.15
0.3-0100-28-CL	1342	319	280	136	151	816	526	223	75	70	119	70	36	1/2	65	0.10
0.3-0100-35-CL	1342	319	280	136	151	816	526	223	75	70	119	70	36	1/2	65	0.15
0.3-0100-40-CL	1341	319	280	136	151	816	525	223	75	70	119	70	36	1/2	65	0.20
0.3-0100-45-CL	1367	319	293	136	151	816	551	223	90	70	119	70	43	1/2	83	0.26
0.3-0100-50-CL	1367	319	293	136	151	816	551	223	90	70	119	70	42	1/2	85	0.30
0.3-0150-35-CL	1289	319	283	136	151	763	526	223	75	70	119	70	42	1/2	74	0.15
0.3-0150-40-CL	1288	319	283	136	151	763	525	223	75	70	119	70	42	1/2	76	0.20
0.3-0150-45-CL	1314	319	283	136	151	763	551	223	90	70	119	70	42	1/2	78	0.26
0.3-0150-50-CL	1314	319	283	136	151	763	551	223	90	70	119	70	42	1/2	80	0.30
0.3-0150-60-CL	1340	319	283	136	151	763	577	223	100	70	119	70	42	1/2	84	0.45

NOTE:

MHP manual override is available as an option

OLGAS-H Spring-Return Hydraulic Actuator

Overall Dimensions - Spring to Close, Models 0.9-0200-40-CL to 3-2000-110-CL



Dimensions (mm)

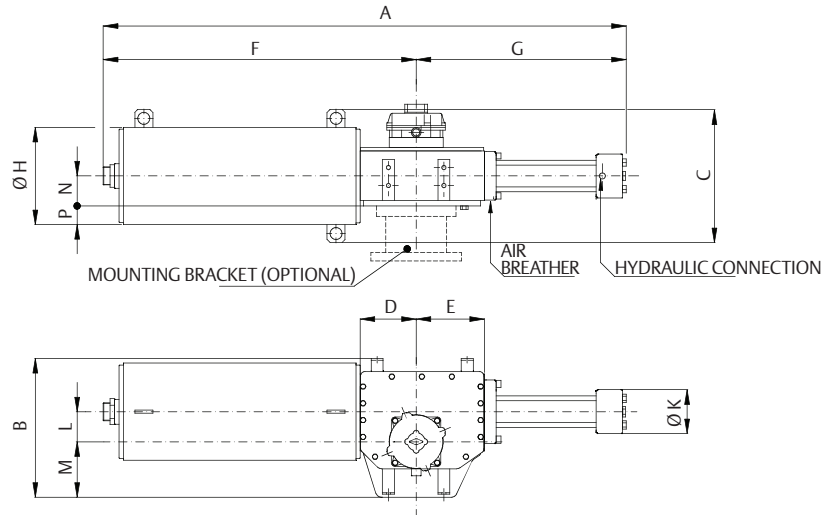
Model	A	B	C	D	E	F	G	ØH	ØK	L	M	N	P	Hydraulic connection NPT (in.)	Weight (kg)	Oil displacement (liters)
0.9-0200-40-CL	1421	413	300	160	190	857	564	280	80	80	170	83	37	1/2	141	0.23
0.9-0200-45-CL	1447	413	300	160	190	857	590	280	90	80	170	83	37	1/2	143	0.30
0.9-0200-50-CL	1447	413	300	160	190	857	590	280	90	80	170	83	37	1/2	145	0.45
0.9-0200-60-CL	1473	413	300	160	190	857	616	280	100	80	170	83	37	1/2	150	0.50
0.9-0250-40-CL	1350	413	300	160	190	786	564	280	80	80	170	83	37	1/2	141	0.23
0.9-0250-45-CL	1376	413	300	160	190	786	590	280	90	80	170	83	37	1/2	143	0.30
0.9-0250-50-CL	1376	413	300	160	190	786	590	280	90	80	170	83	37	1/2	145	0.35
0.9-0250-60-CL	1402	413	300	160	190	786	616	280	100	80	170	83	37	1/2	150	0.50
0.9-0250-70-CL	1473	413	300	160	190	786	687	280	120	80	170	83	37	1/2	155	0.70
0.9-0350-45-CL	1500	413	370	160	190	910	590	350	90	80	170	83	73	1/2	180	0.30
0.9-0350-50-CL	1500	413	370	160	190	910	590	350	90	80	170	83	73	1/2	185	0.35
0.9-0350-60-CL	1526	413	370	160	190	910	616	350	100	80	170	83	73	1/2	189	0.50
0.9-0350-70-CL	1597	413	370	160	190	910	687	350	120	80	170	83	73	1/2	202	0.70
0.9-0350-85-CL	1597	413	370	160	190	910	686	350	125	80	170	83	73	1/2	207	1.10
0.9-0400-50-CL	1434	413	370	160	190	844	590	350	90	80	170	83	73	1/2	174	0.35
0.9-0400-60-CL	1460	413	370	160	190	844	616	350	100	80	170	83	73	1/2	178	0.50
0.9-0400-70-CL	1530	413	370	160	190	844	686	350	120	80	170	83	73	1/2	197	0.70
0.9-0400-85-CL	1530	413	370	160	190	844	686	350	125	80	170	83	73	1/2	202	1.10
0.9-0700-60-CL	1487	413	370	160	190	871	616	350	100	80	170	83	73	1/2	200	0.50
0.9-0700-70-CL	1558	413	370	160	190	871	687	350	120	80	170	83	73	1/2	220	0.70
0.9-0700-85-CL	1557	413	370	160	190	871	686	350	125	80	170	83	73	1/2	224	1.10
1.5-1100-70-CL	1732	470	440	187	227	1008	724	400	120	100	185	100	85	1/2	349	0.85
1.5-1100-85-CL	1731	470	440	187	227	1008	723	400	125	100	185	100	85	1/2	368	1.30
1.5-1100-95-CL	1772	470	440	187	227	1008	764	400	140	100	185	100	85	3/4	305	1.70
1.5-1100-110-CL	1797	470	440	187	227	1008	789	400	170	100	185	100	85	3/4	325	2.20
1.5-1200-70-CL	1801	470	384	187	227	1077	724	324	120	100	185	100	62	1/2	327	0.85
1.5-1200-85-CL	1800	470	384	187	227	1077	723	324	125	100	185	100	62	1/2	341	1.30
1.5-1200-95-CL	1841	470	384	187	227	1077	764	324	140	100	185	100	62	3/4	300	1.70
1.5-1200-110-CL	1866	470	384	187	227	1077	788	324	170	100	185	100	62	3/4	328	2.20
3-2000-70-CL	2356	586	466	285	330	1393	963	415	120	160	215	106	98	1/2	595	1.40
3-2000-85-CL	2356	586	466	285	330	1393	963	415	125	160	215	106	98	1/2	610	2.00
3-2000-95-CL	2460	586	466	285	330	1393	1067	415	140	160	215	106	98	3/4	633	2.50
3-2000-110-CL	2496	586	466	285	330	1393	1103	415	170	160	215	106	98	3/4	646	3.40

NOTE:

MHP manual override is available as an option

OLGAS-H Spring-Return Hydraulic Actuator

Overall Dimensions - Spring to Close, Models 6-2500-85-CL to 14-8300-200-CL



Dimensions (mm)

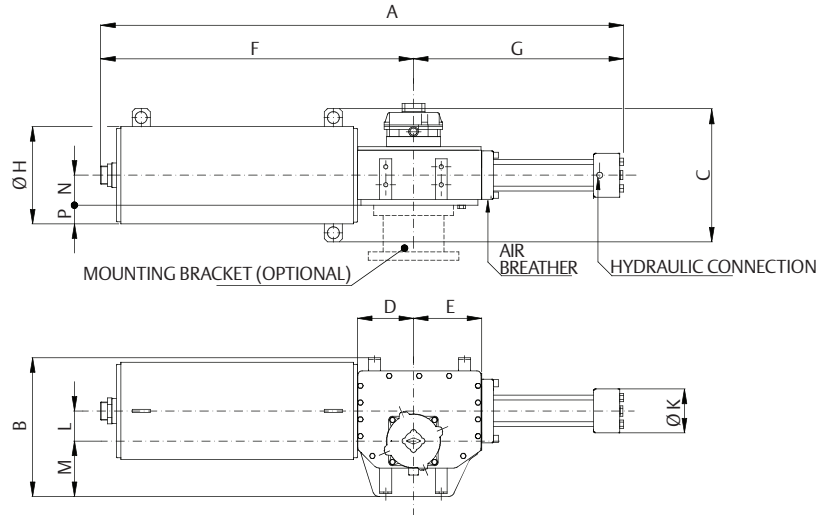
Model	A	B	C	D	E	F	G	ØH	ØK	L	M	N	P	Hydraulic connection NPT (in.)	Weight (kg)	Oil displacement (liters)
6-2500-85-CL	3004	740	443	327	379	1906	1098	383	125	185	260	140	52	3/4	825	2.4
6-2500-95-CL	3022	740	443	327	379	1906	1116	383	140	185	260	140	52	3/4	841	2.9
6-2500-110-CL	3058	740	443	327	379	1906	1152	383	170	185	260	140	52	3/4	851	3.9
6-2500-125-CL	3117	740	443	327	379	1906	1211	383	190	185	260	140	52	3/4	870	4.6
6-2500-135-CL	3124	740	443	327	379	1906	1218	383	200	185	260	140	52	3/4	884	5.8
6-3800-85-CL	3234	740	600	327	379	2136	1098	530	125	185	260	140	125	3/4	1480	2.4
6-3800-95-CL	3252	740	600	327	379	2136	1116	530	140	185	260	140	125	3/4	1354	2.9
6-3800-110-CL	3288	740	600	327	379	2136	1152	530	170	185	260	140	125	3/4	1364	3.9
6-3800-125-CL	3347	740	600	327	379	2136	1211	530	190	185	260	140	125	3/4	1384	4.6
6-3800-135-CL	3354	740	600	327	379	2136	1218	530	200	185	260	140	125	3/4	1397	5.8
14-5100-95-CL	3313	873	601	376	435	2092	1221	530	140	200	330	193	72	3/4	1537	3.2
14-5100-110-CL	3366	873	601	376	435	2092	1273	530	170	200	330	193	72	3/4	1565	4.2
14-5100-125-CL	3359	873	601	376	435	2092	1267	530	190	200	330	193	72	3/4	1602	5.4
14-5100-135-CL	3366	873	601	376	435	2092	1274	530	200	200	330	193	72	3/4	1700	6.4
14-5100-145-CL	3445	873	601	376	435	2092	1353	530	250	200	330	193	72	3/4	1766	7.3
14-5100-175-CL	3449	873	601	376	435	2092	1357	530	250	200	330	193	72	3/4	1835	10.6
14-5100-200-CL	3517	873	601	376	435	2092	1425	530	280	200	330	193	72	3/4	1960	13.8
14-5400-110-CL	3313	873	601	376	435	2040	1273	530	170	200	330	193	72	3/4	1635	4.2
14-5400-125-CL	3307	873	601	376	435	2040	1267	530	190	200	330	193	72	3/4	1650	5.4
14-5400-135-CL	3314	873	601	376	435	2040	1274	530	200	200	330	193	72	3/4	1670	6.2
14-5400-145-CL	3393	873	601	376	435	2040	1353	530	250	200	330	193	72	3/4	1710	7.3
14-5400-175-CL	3397	873	601	376	435	2040	1357	530	250	200	295	193	72	3/4	1790	10.6
14-5400-185-CL	3397	873	601	376	435	2040	1357	530	280	200	295	193	72	3/4"	1845	12
14-5400-200-CL	3465	873	601	376	435	2040	1425	530	280	200	295	193	72	3/4	1860	13.8
14-8300-125-CL	3370	838	600	376	435	2103	1267	530	190	200	295	193	72	3/4	1700	5.4
14-8300-135-CL	3377	838	600	376	435	2103	1274	530	200	200	295	193	72	3/4	1720	6.2
14-8300-145-CL	3456	838	600	376	435	2103	1353	530	250	200	295	193	72	3/4	1760	7.3
14-8300-175-CL	3460	838	600	376	435	2103	1357	530	280	200	295	193	72	3/4	1840	10.6
14-8300-185-CL	3460	838	600	376	435	2103	1357	530	280	200	295	193	72	3/4	1895	12
14-8300-200-CL	3528	838	600	376	435	2103	1425	530	320	200	295	193	72	3/4	1910	13.8

NOTE:

MHP manual override is available as an option

OLGAS-H Spring-Return Hydraulic Actuator

Overall Dimensions - Spring to Close, Models 18-9600-145-CL to 50-15600-300-CL



Dimensions (mm)

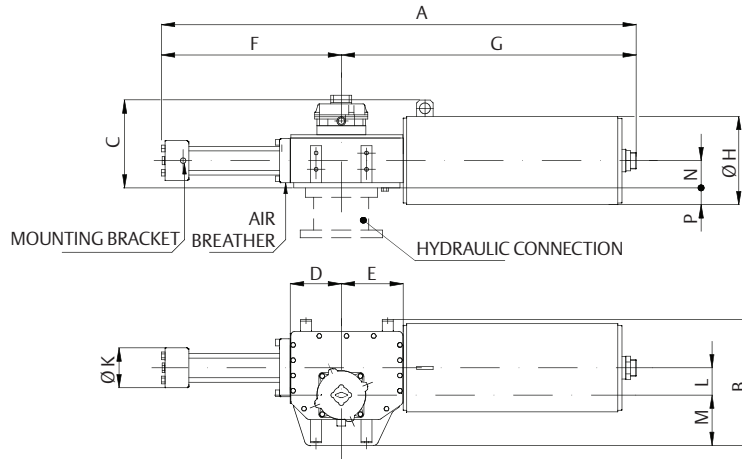
Model	A	B	C	D	E	F	G	ØH	ØK	L	M	N	P	Hydraulic connection NPT (in.)	Weight (kg)	Oil displacement (liters)
18-9600-145-CL	4106	940	739	425	493	2695	1411	559	250	230	340	193	86	3/4	2670	8.4
18-9600-175-CL	4110	940	739	425	493	2695	1415	559	280	230	340	193	86	3/4	2750	12.2
18-9600-185-CL	4110	940	739	425	493	2695	1415	559	280	230	340	193	86	3/4	2762	14.0
18-9600-200-CL	4178	940	739	425	493	2695	1483	559	320	230	340	193	86	3/4	2840	15.9
18-9600-235-CL	4174	955	739	425	493	2695	1479	559	345	230	355	193	86	3/4	2918	21.0
18-9800-145-CL	4096	940	738	425	493	2685	1411	559	250	230	340	193	86	3/4	2900	8.4
18-9800-175-CL	4100	940	738	425	493	2685	1415	559	280	230	340	193	86	3/4	2970	12.2
18-9800-185-CL	4100	940	738	425	493	2685	1415	559	280	230	340	193	86	3/4	2980	14.0
18-9800-200-CL	4168	955	738	425	493	2685	1483	559	320	230	340	193	86	3/4	3050	15.9
18-9800-235-CL	4164	955	738	425	493	2685	1479	559	345	230	340	193	86	3/4	2825	21.0
18-10500-175-CL	4184	955	850	425	493	2769	1415	670	280	230	340	193	142	3/4	3310	12.2
18-10500-185-CL	4184	955	850	425	493	2769	1415	670	280	230	340	193	142	3/4	3300	14.0
18-10500-200-CL	4252	955	850	425	493	2769	1483	670	230	355	340	193	142	3/4	3435	15.9
18-10500-235-CL	4248	955	850	425	493	2769	1479	670	230	355	340	193	142	3/4	3478	21.0
18-11000-175-CL	4068	940	850	425	493	2653	1415	670	230	355	340	193	142	3/4	3460	12.2
18-11000-185-CL	4068	955	850	425	493	2653	1415	670	230	355	340	193	142	3/4	3922	14.0
18-11000-200-CL	4136	940	850	425	493	2653	1483	670	320	230	340	193	142	3/4	3515	15.9
18-11000-235-CL	4132	940	850	425	493	2653	1479	670	345	230	340	193	142	3/4	3625	21.0
32-12000-175-CL	4522	1065	980	505	585	2909	1613	800	280	270	395	233	258	3/4	4616	14.3
32-12000-200-CL	4579	1130	980	505	585	2909	1670	800	320	270	420	240	161	3/4	4500	18.6
32-12000-235-CL	4555	1065	980	505	585	2889	1666	800	345	270	395	233	258	3/4	4392	25.6
32-12000-250-CL	4643	1065	980	505	585	2889	1754	800	390	270	395	233	258	3/4	4413	29.0
32-15000-175-CL	4522	1065	980	505	585	2909	1613	800	280	270	395	233	258	3/4	4445	14.3
32-15000-200-CL	4579	1065	980	505	585	2909	1670	800	320	270	395	233	258	3/4	4555	18.6
32-15000-235-CL	4575	1065	980	505	585	2909	1665	800	345	270	395	233	258	3/4	4598	25.6
32-15000-250-CL	4663	1065	980	505	585	2909	1754	800	390	270	395	233	258	3/4	4769	29.0
50-15400-200-CL	4852	1092	980	548	633	3027	1825	800	320	300	387	233	257	3/4	5713	20.7
50-15400-235-CL	4944	1092	980	548	633	3027	1917	800	345	300	387	233	257	3/4	5154	28.6
50-15400-250-CL	4829	1087	980	548	633	3027	1802	800	390	300	382	233	257	3/4	5175	32.0
50-15400-300-CL	4934	1092	980	551	636	3027	1907	800	460	300	387	233	257	1	5734	46.0
50-15600-200-CL	4852	1092	980	548	633	3027	1825	800	320	152	387	233	257	3/4	5608	20.7
50-15600-235-CL	4944	1092	980	548	633	3027	1796	800	345	300	387	233	257	3/4	5672	28.6
50-15600-250-CL	4829	1087	980	548	633	3027	1802	800	390	300	382	233	257	3/4	5175	32.0
50-15600-300-CL	4934	1092	1080	551	636	3027	1907	800	460	300	387	233	257	1	5520	46.0

NOTE:

MHP manual override is available as an option

OLGAS-H Spring-Return Hydraulic Actuator

Overall Dimensions - Spring to Open, Models 0.3-008A-20-OP to 0.3-0150-60-OP



Dimensions (mm)

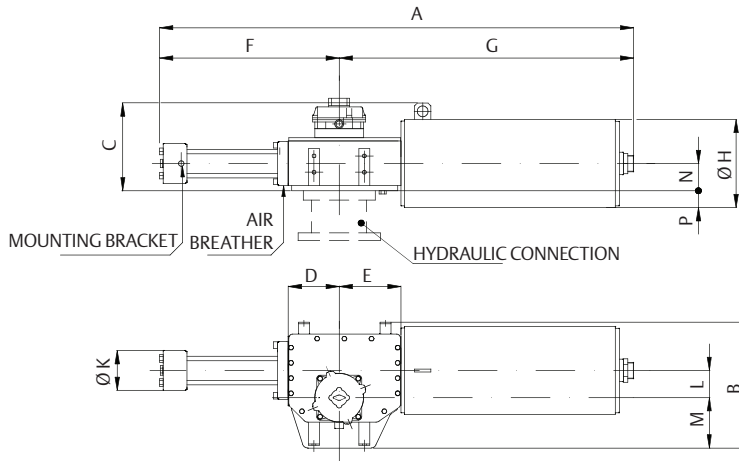
Model	A	B	C	D	E	F	G	ØH	ØK	L	M	N	P	Hydraulic connection NPT (in.)	Weight (kg)	Oil displacement (liters)
0.3-008A-20-OP	1178	319	200	136	151	448	730	150	54	70	119	70	4	3/8	60	0.05
0.3-008A-28-OP	1241	319	200	136	151	511	730	150	75	70	119	70	4	1/2	60	0.10
0.3-008A-35-OP	1241	319	200	136	151	511	730	150	75	70	119	70	4	1/2	60	0.15
0.3-008B-20-OP	1178	319	315	136	151	448	730	150	54	70	119	70	4	3/8	60	0.05
0.3-008B-28-OP	1241	319	200	136	151	511	730	150	75	70	119	70	4	1/2	60	0.10
0.3-008B-35-OP	1241	319	200	136	151	511	730	150	75	70	119	70	4	1/2	60	0.15
0.3-008-20-OP	1178	319	315	136	151	448	730	150	54	70	119	70	4	3/8	60	0.05
0.3-008-28-OP	1241	319	200	136	151	511	730	150	75	70	119	70	4	1/2	60	0.10
0.3-008-35-OP	1241	319	200	136	151	511	730	150	75	70	119	70	4	1/2	60	0.15
0.3-0100-28-OP	1342	319	280	136	151	511	830	223	75	70	119	70	36	1/2	65	0.10
0.3-0100-35-OP	1342	319	280	136	151	511	830	223	75	70	119	70	36	1/2	65	0.15
0.3-0100-40-OP	1341	319	280	136	151	510	830	223	75	70	119	70	36	1/2	65	0.20
0.3-0100-45-OP	1367	319	293	136	151	537	830	223	90	70	119	70	43	1/2	83	0.26
0.3-0100-50-OP	1367	319	293	136	151	537	830	223	90	70	119	70	42	1/2	85	0.30
0.3-0150-35-OP	1289	319	283	136	151	511	778	223	75	70	119	70	42	1/2	74	0.15
0.3-0150-40-OP	1288	319	283	136	151	510	778	223	75	70	119	70	42	1/2	76	0.20
0.3-0150-45-OP	1314	319	283	136	151	536	778	223	90	70	119	70	42	1/2	78	0.26
0.3-0150-50-OP	1314	319	283	136	151	536	778	223	90	70	119	70	42	1/2	80	0.30
0.3-0150-60-OP	1340	319	283	136	151	562	778	223	100	70	119	70	42	1/2	84	0.45

NOTE:

MHP manual override is available as an option

OLGAS-H Spring-Return Hydraulic Actuator

Overall Dimensions - Spring to Open, Models 0.9-0200-40-OP to 3-2000-110-OP



Dimensions (mm)

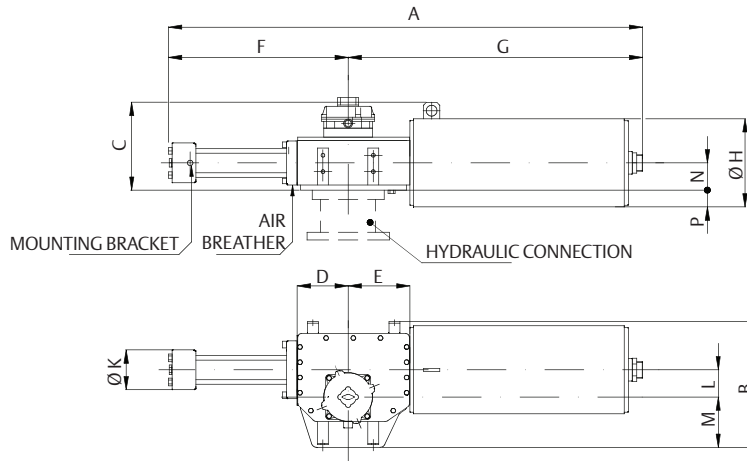
Model	A	B	C	D	E	F	G	ØH	ØK	L	M	N	P	Hydraulic connection NPT (in.)	Weight (kg)	Oil displacement (liters)
0.9-0200-40-OP	1421	413	300	160	190	534	887	280	80	80	170	83	37	1/2	141	0.23
0.9-0200-45-OP	1447	413	300	160	190	560	887	280	90	80	170	83	37	1/2	143	0.30
0.9-0200-50-OP	1447	413	300	160	190	560	887	280	90	80	170	83	37	1/2	145	0.45
0.9-0200-60-OP	1473	413	300	160	190	586	887	280	100	80	170	83	37	1/2	150	0.50
0.9-0250-40-OP	1350	413	300	160	190	534	816	280	80	80	170	83	37	1/2	141	0.23
0.9-0250-45-OP	1376	413	300	160	190	560	816	280	90	80	170	83	37	1/2	143	0.30
0.9-0250-50-OP	1376	413	300	160	190	560	816	280	90	80	170	83	37	1/2	145	0.35
0.9-0250-60-OP	1402	413	300	160	190	586	816	280	100	80	170	83	37	1/2	150	0.50
0.9-0250-70-OP	1473	413	300	160	190	657	816	280	120	80	170	83	37	1/2	155	0.70
0.9-0350-45-OP	1500	413	370	160	190	560	940	350	90	80	170	83	73	1/2	180	0.30
0.9-0350-50-OP	1500	413	370	160	190	560	940	350	90	80	170	83	73	1/2	185	0.35
0.9-0350-60-OP	1526	413	370	160	190	586	940	350	100	80	170	83	73	1/2	189	0.50
0.9-0350-70-OP	1597	413	370	160	190	657	940	350	120	80	170	83	73	1/2	202	0.70
0.9-0350-85-OP	1597	413	370	160	190	656	940	350	125	80	170	83	73	1/2	207	1.10
0.9-0400-50-OP	1434	413	370	160	190	560	874	350	90	80	170	83	73	1/2	174	0.35
0.9-0400-60-OP	1460	413	370	160	190	586	874	350	100	80	170	83	73	1/2	178	0.50
0.9-0400-70-OP	1530	413	370	160	190	657	874	350	120	80	170	83	73	1/2	197	0.70
0.9-0400-85-OP	1530	413	370	160	190	656	874	350	125	80	170	83	73	1/2	202	1.10
0.9-0700-60-OP	1487	413	370	160	190	586	901	350	100	80	170	83	73	1/2	200	0.50
0.9-0700-70-OP	1558	413	370	160	190	657	901	350	120	80	170	83	73	1/2	220	0.70
0.9-0700-85-OP	1557	413	370	160	190	656	901	350	125	80	170	83	73	1/2	224	1.10
1.5-1100-70-OP	1732	470	440	187	227	684	1048	400	120	100	185	100	85	1/2	349	0.85
1.5-1100-85-OP	1731	470	440	187	227	683	1048	400	125	100	185	100	85	1/2	368	1.30
1.5-1100-95-OP	1772	470	440	187	227	724	1048	400	140	100	185	100	85	3/4	305	1.70
1.5-1100-110-OP	1797	470	440	187	227	749	1048	400	170	100	185	100	85	3/4	325	2.20
1.5-1200-70-OP	1801	470	384	187	227	684	1119	324	120	100	185	100	62	1/2	327	0.85
1.5-1200-85-OP	1800	470	384	187	227	683	1117	324	125	100	185	100	62	1/2	341	1.30
1.5-1200-95-OP	1841	470	384	187	227	724	1117	324	140	100	185	100	62	3/4	300	1.70
1.5-1200-110-OP	1866	470	384	187	227	749	1117	324	170	100	185	100	62	3/4	328	2.20
3-2000-70-OP	2356	586	466	285	330	918	1438	415	120	160	215	106	98	1/2	595	1.40
3-2000-85-OP	2356	586	466	285	330	918	1438	415	125	160	215	106	98	1/2	610	2.00
3-2000-95-OP	2460	586	466	285	330	1022	1438	415	140	160	215	106	98	3/4	633	2.50
3-2000-110-OP	2496	586	466	285	330	1058	1438	415	170	160	215	106	98	3/4	646	3.40

NOTE:

MHP manual override is available as an option

OLGAS-H Spring-Return Hydraulic Actuator

Overall Dimensions - Spring to Open, Models 6-2500-85-OP to 14-8300-200-OP



Dimensions (mm)

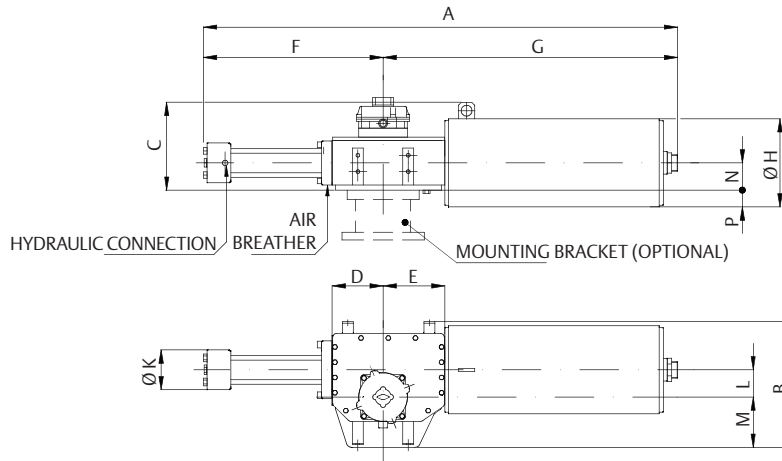
Model	A	B	C	D	E	F	G	ØH	ØK	L	M	N	P	Hydraulic connection NPT (in.)	Weight (kg)	Oil displacement (liters)
6-2500-85-OP	3004	740	443	327	379	1046	1958	383	125	185	260	140	52	3/4	825	2.4
6-2500-95-OP	3022	740	443	327	379	1064	1958	383	140	185	260	140	52	3/4	841	2.9
6-2500-110-OP	3058	740	443	327	379	1100	1958	383	170	185	260	140	52	3/4	851	3.9
6-2500-125-OP	3117	740	443	327	379	1159	1958	383	190	185	260	140	52	3/4	870	4.6
6-2500-135-OP	3124	740	443	327	379	1166	1958	383	200	185	260	140	52	3/4	884	5.8
6-3800-85-OP	3234	740	600	327	379	1046	2188	530	125	185	260	140	125	3/4	1480	2.4
6-3800-95-OP	3252	740	600	327	379	1064	2188	530	140	185	260	140	125	3/4	1354	2.9
6-3800-110-OP	3288	740	600	327	379	1100	2188	530	170	185	260	140	125	3/4	1364	3.9
6-3800-125-OP	3347	740	600	327	379	1159	2188	530	190	185	260	140	125	3/4	1384	4.6
6-3800-135-OP	3354	740	600	327	379	1166	2188	530	200	185	260	140	125	3/4	1397	5.8
14-5100-95-OP	3313	873	601	376	435	1162	2151	530	140	200	330	193	72	3/4	1537	3.2
14-5100-110-OP	3366	873	601	376	435	1214	2151	530	170	200	330	193	72	3/4	1565	4.2
14-5100-125-OP	3359	873	601	376	435	14208	2151	530	190	200	330	193	72	3/4	1602	5.4
14-5100-135-OP	3366	873	601	376	435	1215	2151	530	200	200	330	193	72	3/4	1700	6.4
14-5100-145-OP	3445	873	601	376	435	1294	2151	530	250	200	330	193	72	3/4	1766	7.3
14-5100-175-OP	3449	873	601	376	435	1298	2151	530	250	200	330	193	72	3/4	1835	10.6
14-5100-200-OP	3517	873	601	376	435	1366	2151	530	280	200	330	193	72	3/4	1960	13.8
14-5400-110-OP	3313	873	601	376	435	1214	2099	530	170	200	330	193	72	3/4	1635	4.2
14-5400-125-OP	3307	873	601	376	435	1208	2099	530	190	200	330	193	72	3/4	1650	5.4
14-5400-135-OP	3314	873	601	376	435	1215	2099	530	200	200	330	193	72	3/4	1670	6.2
14-5400-145-OP	3393	873	601	376	435	1294	2099	530	250	200	330	193	72	3/4	1710	7.3
14-5400-175-OP	3397	873	601	376	435	1298	2099	530	250	200	295	193	72	3/4	1790	10.6
14-5400-185-OP	3397	873	601	376	435	1298	2099	530	280	200	295	193	72	3/4	1845	12.0
14-5400-200-OP	3465	873	601	376	435	1366	2099	530	280	200	295	193	72	3/4	1860	13.8
14-8300-125-OP	3370	838	600	376	435	1208	2162	530	190	200	295	193	72	3/4	1700	5.4
14-8300-135-OP	3377	838	600	376	435	1215	2162	530	200	200	295	193	72	3/4	1720	6.2
14-8300-145-OP	3456	838	600	376	435	1294	2162	530	250	200	295	193	72	3/4	1760	7.3
14-8300-175-L	3460	838	600	376	435	1298	2162	530	280	200	295	193	72	3/4	1840	10.6
14-8300-185-OP	3460	838	600	376	435	1298	2162	530	280	200	295	193	72	3/4	1895	12.0
14-8300-200-OP	3528	838	600	376	435	1366	2162	530	320	200	295	193	72	3/4	1910	13.8

NOTE:

MHP manual override is available as an option

OLGAS-H Spring-Return Hydraulic Actuator

Overall Dimensions - Spring to Open, Models 18-9600-145-OP to 50-15600-300-OP



Dimensions (mm)

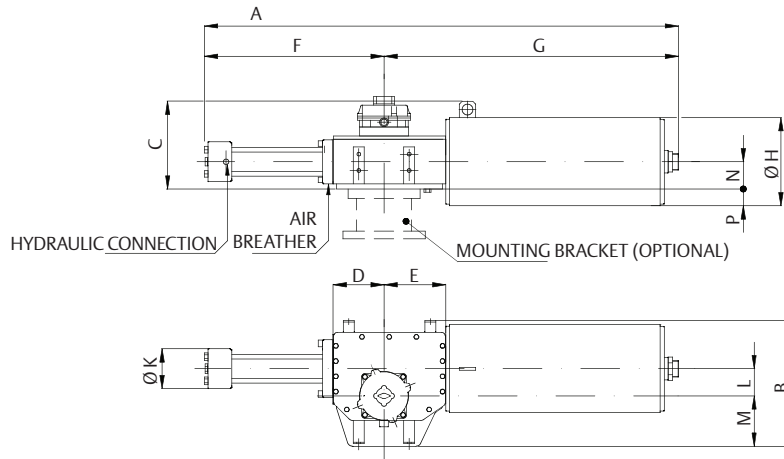
Model	A	B	C	D	E	F	G	ØH	ØK	L	M	N	P	Hydraulic connection NPT (in.)	Weight (kg)	Oil displacement (liters)
18-9600-145-OP	4106	940	739	425	493	1343	2763	559	250	230	340	193	86	3/4	2670	8.4
18-9600-175-OP	4110	940	739	425	493	1347	2763	559	280	230	340	193	86	3/4	2750	12.2
18-9600-185-OP	4110	940	739	425	493	1347	2763	559	280	230	340	193	86	3/4	2762	14.0
18-9600-200-OP	4178	940	739	425	493	1415	2763	559	320	230	340	193	86	3/4	2840	15.9
18-9600-235-OP	4174	955	739	425	493	1411	2763	559	345	230	355	193	86	3/4	2918	21.0
18-9800-145-OP	4096	940	738	425	493	1343	2753	559	250	230	340	193	86	3/4	2900	8.4
18-9800-175-OP	4100	940	738	425	493	1347	2753	559	280	230	340	193	86	3/4	2970	12.2
18-9800-185-OP	4100	940	738	425	493	1347	2753	559	280	230	340	193	86	3/4	2980	14.0
18-9800-200-OP	4168	955	738	425	493	1415	2753	559	320	230	340	193	86	3/4	3050	15.9
18-9800-235-OP	4164	955	738	425	493	1411	2753	559	345	230	340	193	86	3/4	2825	21.0
18-10500-175-OP	4184	955	850	425	493	1347	2837	670	280	230	340	193	142	3/4	3310	12.2
18-10500-185-OP	4184	955	850	425	493	1347	2837	670	280	230	340	193	142	3/4	3300	14.0
18-10500-200-OP	4252	955	850	425	493	1415	2837	670	230	355	340	193	142	3/4	3435	15.9
18-10500-235-OP	4248	955	850	425	493	1411	2837	670	230	355	340	193	142	3/4	3478	21.0
18-11000-175-OP	4068	940	850	425	493	1347	2721	670	230	355	340	193	142	3/4	3460	12.2
18-11000-185-OP	4068	955	850	425	493	1395	2721	670	230	355	340	193	142	3/4	3922	14.0
18-11000-200-OP	4136	940	850	425	493	1415	2721	670	320	230	340	193	142	3/4	3515	15.9
18-11000-235-OP	4132	940	850	425	493	1411	2721	670	345	230	340	193	142	3/4	3625	21.0
32-12000-175-OP	4522	1065	980	505	585	1516	2989	800	280	270	395	233	258	3/4	4616	14.3
32-12000-200-OP	4579	1130	980	505	585	1503	2969	800	320	270	420	240	161	3/4	4500	18.6
32-12000-235-OP	4555	1065	980	505	585	1586	2969	800	345	270	395	233	258	3/4	4392	25.6
32-12000-250-OP	4643	1065	980	505	585	1674	2969	800	390	270	395	233	258	3/4	4413	29.0
32-15000-175-OP	4522	1065	980	505	585	1533	2989	800	280	270	395	233	258	3/4	4445	14.3
32-15000-200-OP	4579	1065	980	505	585	1578	2989	800	320	270	395	233	258	3/4	4555	18.6
32-15000-235-OP	4575	1065	980	505	585	1586	2989	800	345	270	395	233	258	3/4	4598	25.6
32-15000-250-OP	4663	1065	980	505	585	1674	2989	800	390	270	395	233	258	3/4	4769	29.0
50-15400-200-OP	4852	1092	980	551	636	1740	3112	800	320	300	387	233	257	3/4	5713	20.7
50-15400-235-OP	4944	1092	1080	551	636	1832	3112	800	340	300	387	233	257	3/4	5154	28.6
50-15400-250-OP	4829	1092	1080	551	636	1717	3112	800	390	300	387	233	257	3/4	5175	32.0
50-15400-300-OP	4934	1092	1080	551	636	1822	3112	800	460	300	387	233	257	1	5734	46.0
50-15600-200-OP	4840	1092	1080	551	636	1728	3112	800	320	300	387	233	257	3/4	5608	20.7
50-15600-235-OP	4944	1092	1080	551	636	1832	3112	800	345	300	387	233	257	3/4	5672	28.6
50-15600-250-OP	4829	1092	1080	551	636	1717	3112	800	390	300	387	233	257	3/4	5175	32.0
50-15600-300-OP	4934	1092	980	551	636	1822	3112	800	460	300	387	233	257	1	5520	46.0

NOTE:

MHP manual override is available as an option

OLGAS-H Spring-Return Hydraulic Actuator

Overall Dimensions - Spring to Open, Models 6-2500-85-OP to 14-8300-200-OP



Dimensions (mm)

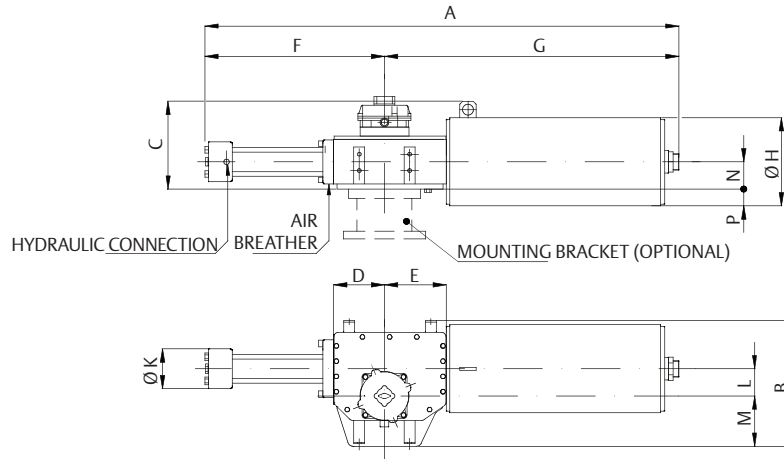
Model	A	B	C	D	E	F	G	ØH	ØK	L	M	N	P	Hydraulic connection NPT (in.)	Weight (kg)	Oil displacement (liters)
6-2500-85-OP	3004	740	443	327	379	1064	1958	383	125	185	260	140	52	3/4	825	2.4
6-2500-95-OP	3022	740	443	327	379	1064	1958	383	140	185	260	140	52	3/4	841	2.9
6-2500-110-OP	3058	740	443	327	379	1100	1958	383	170	185	260	140	52	3/4	851	3.9
6-2500-125-OP	3117	740	443	327	379	1159	1958	383	190	185	260	140	52	3/4	870	4.6
6-2500-135-OP	3124	740	443	327	379	1166	1958	383	200	185	260	140	52	3/4	884	5.8
6-3800-85-OP	3234	740	600	327	379	1064	2188	530	125	185	260	140	125	3/4	1480	2.4
6-3800-95-OP	3252	740	600	327	379	1064	2188	530	140	185	260	140	125	3/4	1354	2.9
6-3800-110-OP	3288	740	600	327	379	1100	2188	530	170	185	260	140	125	3/4	1364	3.9
6-3800-125-OP	3347	740	600	327	379	1159	2188	530	190	185	260	140	125	3/4	1384	4.6
6-3800-135-OP	3354	740	600	327	379	1166	2188	530	200	185	260	140	125	3/4	1397	5.8
14-5100-95-OP	3313	873	601	376	435	1162	2151	530	140	200	330	193	72	3/4	1537	3.2
14-5100-110-OP	3366	873	601	376	435	1214	2151	530	170	200	330	193	72	3/4	1565	4.2
14-5100-125-OP	3359	873	601	376	435	14208	2151	530	190	200	330	193	72	3/4	1602	5.4
14-5100-135-OP	3366	873	601	376	435	1215	2151	530	200	200	330	193	72	3/4	1700	6.4
14-5100-145-OP	3445	873	601	376	435	1294	2151	530	250	200	330	193	72	3/4	1766	7.3
14-5100-175-OP	3449	873	601	376	435	1298	2151	530	250	200	330	193	72	3/4	1835	10.6
14-5100-200-OP	3517	873	601	376	435	1366	2151	530	280	200	330	193	72	3/4	1960	13.8
14-5400-110-OP	3313	873	601	376	435	1214	2099	530	170	200	330	193	72	3/4	1635	4.2
14-5400-125-OP	3307	873	601	376	435	1208	2099	530	190	200	330	193	72	3/4	1650	5.4
14-5400-135-OP	3314	873	601	376	435	1215	2099	530	200	200	330	193	72	3/4	1670	6.2
14-5400-145-OP	3393	873	601	376	435	1294	2099	530	250	200	330	193	72	3/4	1710	7.3
14-5400-175-OP	3397	873	601	376	435	1298	2099	530	250	200	295	193	72	3/4	1790	10.6
14-5400-185-OP	3397	873	601	376	435	1298	2099	530	280	200	295	193	72	3/4	1845	12.0
14-5400-200-OP	3465	873	601	376	435	1366	2099	530	280	200	295	193	72	3/4	1860	13.8
14-8300-125-OP	3370	838	600	376	435	1208	2162	530	190	200	295	193	72	3/4	1700	5.4
14-8300-135-OP	3377	838	600	376	435	1215	2162	530	200	200	295	193	72	3/4	1720	6.2
14-8300-145-OP	3456	838	600	376	435	1294	2162	530	250	200	295	193	72	3/4	1760	7.3
14-8300-175-OP	3460	838	600	376	435	1298	2162	530	280	200	295	193	72	3/4	1840	10.6
14-8300-185-OP	3460	838	600	376	435	1298	2162	530	280	200	295	193	72	3/4	1895	12.0
14-8300-200-OP	3528	838	600	376	435	1366	2162	530	320	200	295	193	72	3/4	1910	13.8

NOTE:

MHP manual override is available as an option

OLGAS-H Spring-Return Hydraulic Actuator

Overall Dimensions - Spring to Open, Models 18-9600-145-OP to 50-15600-300-OP



Dimensions (mm)

Model	A	B	C	D	E	F	G	ØH	ØK	L	M	N	P	Hydraulic connection NPT (in.)	Weight (kg)	Oil displacement (liters)
18-9600-145-OP	4106	940	739	425	493	1343	2763	559	250	230	340	193	86	3/4	2670	8.4
18-9600-175-OP	4110	940	739	425	493	1347	2763	559	280	230	340	193	86	3/4	2750	12.2
18-9600-185-OP	4110	940	739	425	493	1347	2763	559	280	230	340	193	86	3/4	2762	14.0
18-9600-200-OP	4178	940	739	425	493	1415	2763	559	320	230	340	193	86	3/4	2840	15.9
18-9600-235-OP	4174	955	739	425	493	1411	2763	559	345	230	355	193	86	3/4	2918	21.0
18-9800-145-OP	4096	940	738	425	493	1343	2753	559	250	230	340	193	86	3/4	2900	8.4
18-9800-175-OP	4100	940	738	425	493	1347	2753	559	280	230	340	193	86	3/4	2970	12.2
18-9800-185-OP	4100	940	738	425	493	1347	2753	559	280	230	340	193	86	3/4	2980	14.0
18-9800-200-OP	4168	955	738	425	493	1415	2753	559	320	230	340	193	86	3/4	3050	15.9
18-9800-235-OP	4164	955	738	425	493	1411	2753	559	345	230	340	193	86	3/4	2825	21.0
18-10500-175-OP	4184	955	850	425	493	1347	2837	670	280	230	340	193	142	3/4	3310	12.2
18-10500-185-OP	4184	955	850	425	493	1347	2837	670	280	230	340	193	142	3/4	3300	14.0
18-10500-200-OP	4252	955	850	425	493	1415	2837	670	230	355	340	193	142	3/4	3435	15.9
18-10500-235-OP	4248	955	850	425	493	1411	2837	670	230	355	340	193	142	3/4	3478	21.0
18-11000-175-OP	4068	940	850	425	493	1347	2721	670	230	355	340	193	142	3/4	3460	12.2
18-11000-185-OP	4068	955	850	425	493	1395	2721	670	230	355	340	193	142	3/4	3922	14.0
18-11000-200-OP	4136	940	850	425	493	1415	2721	670	320	230	340	193	142	3/4	3515	15.9
18-11000-235-OP	4132	940	850	425	493	1411	2721	670	345	230	340	193	142	3/4	3625	21.0
32-12000-175-OP	4522	1065	980	505	585	1516	2989	800	280	270	395	233	258	3/4	4616	14.3
32-12000-200-OP	4579	1130	980	505	585	1503	2969	800	320	270	420	240	161	3/4	4500	18.6
32-12000-235-OP	4555	1065	980	505	585	1586	2969	800	345	270	395	233	258	3/4	4392	25.6
32-12000-250-OP	4643	1065	980	505	585	1674	2969	800	390	270	395	233	258	3/4	4413	29.0
32-15000-175-OP	4522	1065	980	505	585	1533	2989	800	280	270	395	233	258	3/4	4445	14.3
32-15000-200-OP	4579	1065	980	505	585	1578	2989	800	320	270	395	233	258	3/4	4555	18.6
32-15000-235-OP	4575	1065	980	505	585	1586	2989	800	345	270	395	233	258	3/4	4598	25.6
32-15000-250-OP	4663	1065	980	505	585	1674	2989	800	390	270	395	233	258	3/4	4769	29.0
50-15400-200-OP	4852	1092	980	551	636	1740	3112	800	320	300	387	233	257	3/4	5713	20.7
50-15400-235-OP	4944	1092	1080	551	636	1832	3112	800	340	300	387	233	257	3/4	5154	28.6
50-15400-250-OP	4829	1092	1080	551	636	1717	3112	800	390	300	387	233	257	3/4	5175	32.0
50-15400-300-OP	4934	1092	1080	551	636	1822	3112	800	460	300	387	233	257	1	5734	46.0
50-15600-200-OP	4840	1092	1080	551	636	1728	3112	800	320	300	387	233	257	3/4	5608	20.7
50-15600-235-OP	4944	1092	1080	551	636	1832	3112	800	345	300	387	233	257	3/4	5672	28.6
50-15600-250-OP	4829	1092	1080	551	636	1717	3112	800	390	300	387	233	257	3/4	5175	32.0
50-15600-300-OP	4934	1092	980	551	636	1822	3112	800	460	300	387	233	257	1	5520	46.0

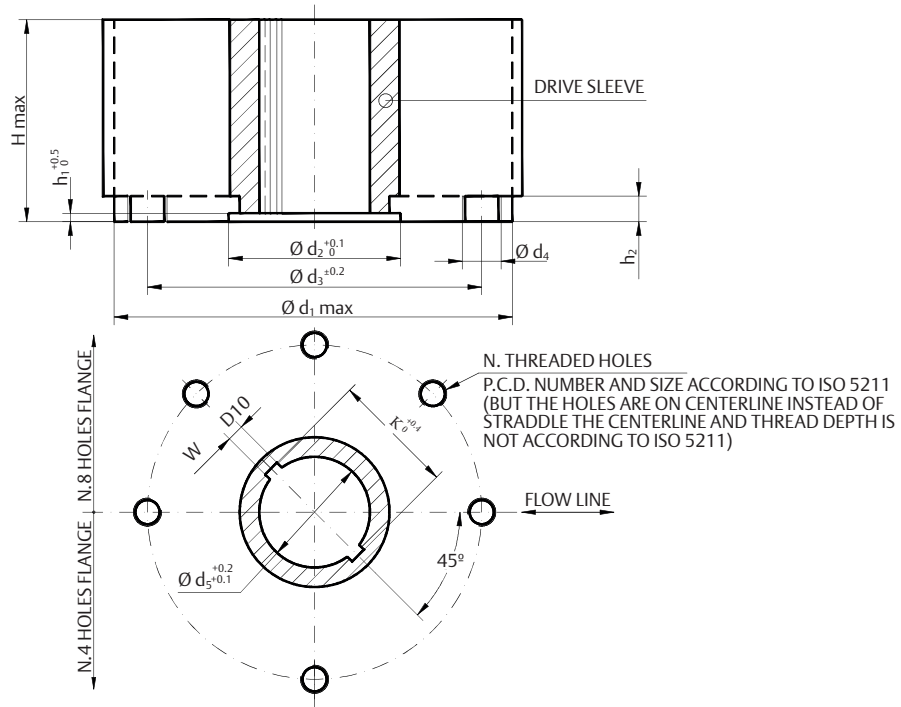
NOTE:

MHP manual override is available as an option

OLGA-H/OLGAS-H/OLGAS-H-QA Hydraulic Actuator

Mounting Dimensions

Actuator models 0.3 to 6 (SCN6200E - Rev. 15/10/19)



TOP VIEW OF THE SCOTCH YOKE MECHANISM
 (ACTUATOR SHOWN IN CLOSED POSITION)

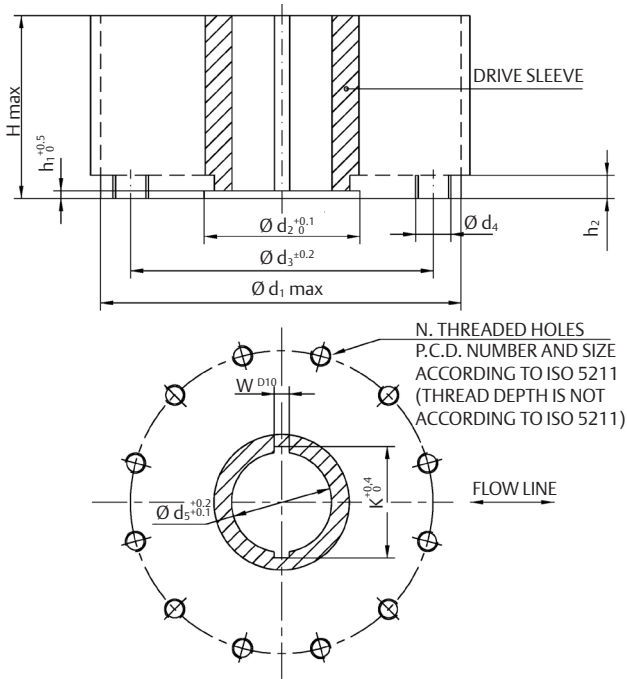
Coupling dimensions (mm) models 0.3 to 6

Actuator model	$\varnothing d_1$	$\varnothing d_2$	$\varnothing d_3$	$\varnothing d_4$	N	h_1	h_2	H max	$\varnothing d_5$	W	K
0.3	240	93	165	M20	4	5	17	127	70	12	75.6
0.9	310	112	254	M16	8	5	19	150	86	14	93.6
1.5	360	144	298	M20	8	6	19	190	112	18	119.0
3	430	195	356	M30	8	9	23	200	157	25	167.8
6	520	250	406	M36	8	14	29	260	200	28	212.8

NOTE:

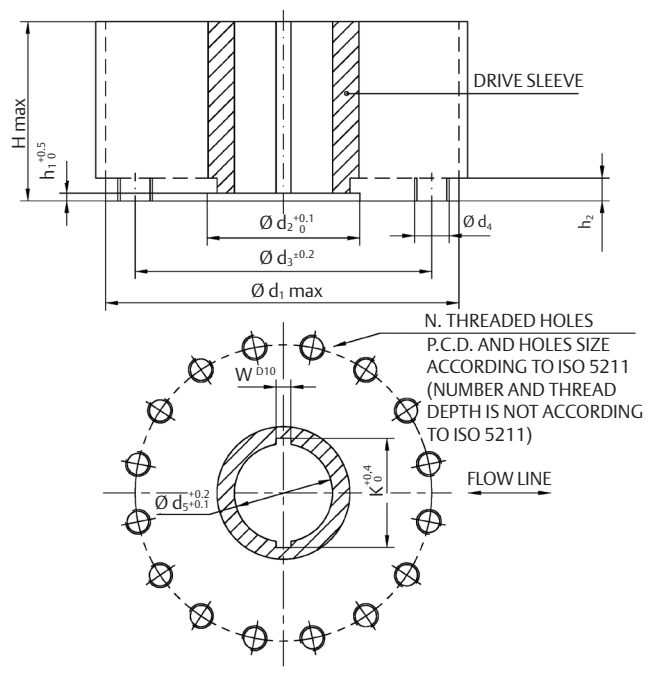
$\varnothing d_1$ is maximum adapter flange diameter.

Actuator model 14 (SCN6201E - Rev. 16/06/20)



TOP VIEW OF THE SCOTCH YOKE MECHANISM
(ACTUATOR SHOWN IN CLOSED POSITION)

Actuator models 18 and 32 (SCN6201E - Rev. 16/06/20)



TOP VIEW OF THE SCOTCH YOKE MECHANISM
(ACTUATOR SHOWN IN CLOSED POSITION)

Coupling dimensions (mm) model 14

Actuator model	$\varnothing d_1$	$\varnothing d_2$	$\varnothing d_3$	$\varnothing d_4$	N	h_1	h_2	H max	$\varnothing d_5$	W	K
14	580	250	483	M36	12	10	29	340	175	45	195.8

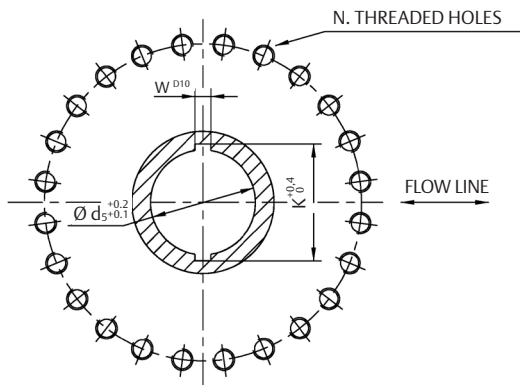
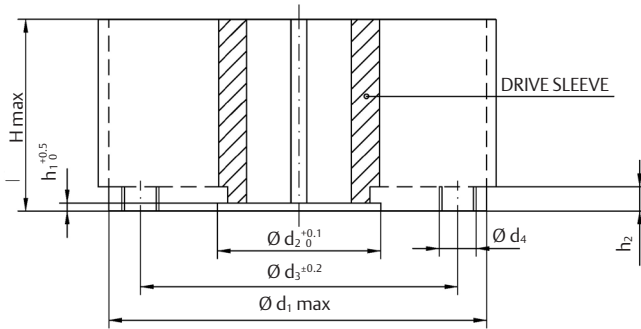
Coupling dimensions (mm) models 18 and 32

Actuator model	$\varnothing d_1$	$\varnothing d_2$	$\varnothing d_3$	$\varnothing d_4$	N	h_1	h_2	H max	$\varnothing d_5$	W	K
18	680	290	603	M36	16	12	32	350	200	45	220.8
32	780	310	603	M36	16	12	32	400	220	50	242.8

NOTE:

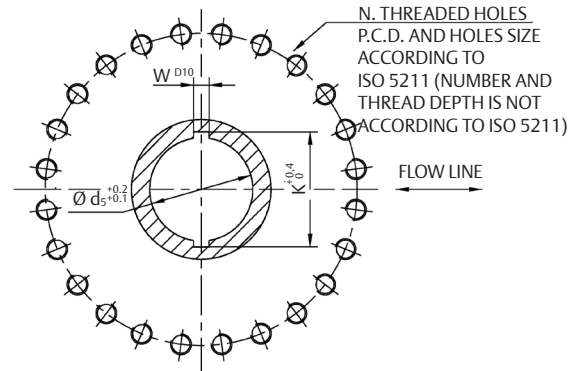
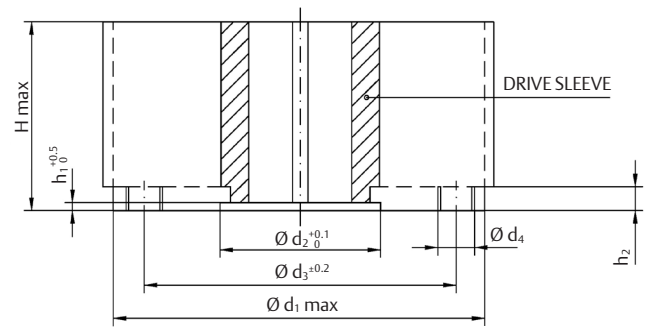
$\varnothing d_1$ is maximum adapter flange diameter.

Actuator model 50 (SCN62011 - Rev. 15/10/19)



TOP VIEW OF THE SCOTCH YOKE MECHANISM
 (ACTUATOR SHOWN IN CLOSED POSITION)

Actuator models 65 and 80 (SCN62013 - Rev. 19/06/20)



TOP VIEW OF THE SCOTCH YOKE MECHANISM
 (ACTUATOR SHOWN IN CLOSED POSITION)

Coupling dimensions (mm) model 50

Actuator model	Ø d ₁	Ø d ₂	Ø d ₃	Ø d ₄	N	h ₁	h ₂	H max	Ø d ₅	W	K
50	800	315	698	M36	24	10	32	430	240	56	264.8

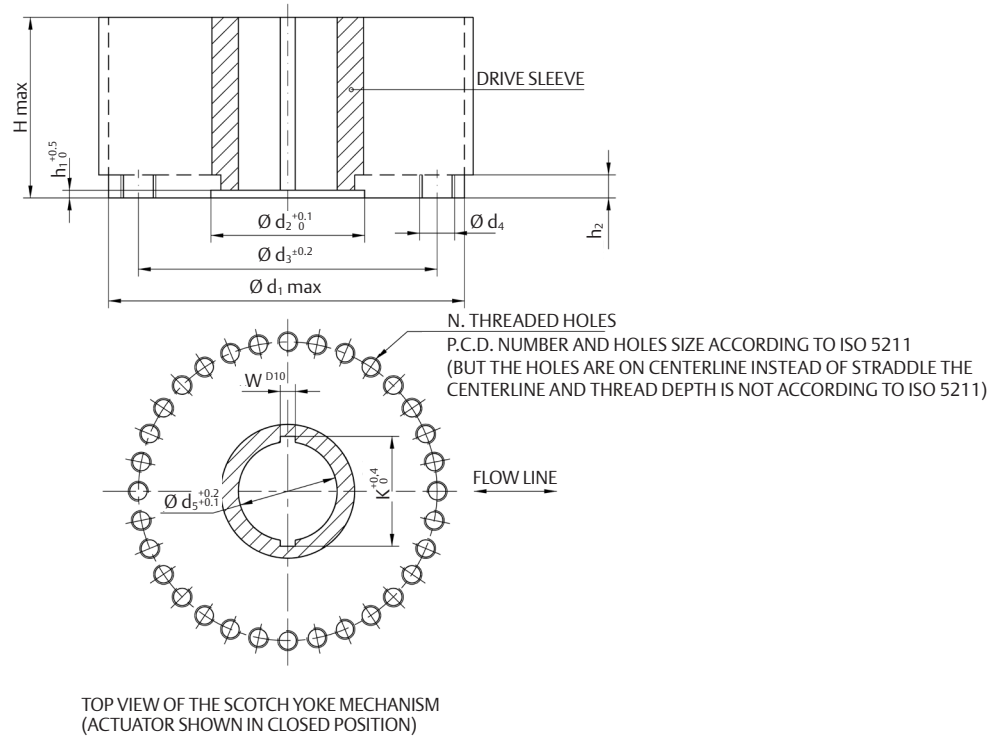
Coupling dimensions (mm) models 65 and 80

Actuator model	Ø d ₁	Ø d ₂	Ø d ₃	Ø d ₄	N	h ₁	h ₂	H max	Ø d ₅	W	K
65	910	370	813	M42	24	12	37	540	280	46	327.4
80	900	970	813	M42	24	12	37	540	280	46	327.4

NOTE:

Ø d₁ is maximum adapter flange diameter.

Actuator model 100 (SCN62015 - Rev. 22/07/22)



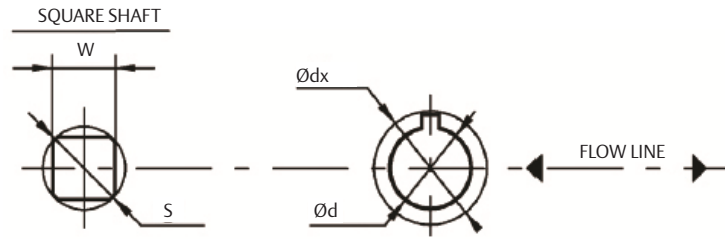
Coupling dimensions (mm) model 100

Actuator model	$\varnothing d_1$	$\varnothing d_2$	$\varnothing d_3$	$\varnothing d_4$	N	h_1	h_2	H max	$\varnothing d_5$	W	K
100	1200	450	1042	M42	32	8	57	600	300	70	328.8

NOTE:

$\varnothing d_1$ is maximum adapter flange diameter.

Stem acceptance



Stem acceptance dimensions for insert bushes (mm)

Housing size	Max. stem diameter with rectangular key	Max. accepted diameter described by the key	Max. accepted square stem (mm)		Max. accepted square stem height (mm)**
	d (bxh) [2] (mm)	dx [3] (mm)	W	S*	
0.3	53 (16x10)	64	46	64	120
0.9	62 (18x11)	73	55	73	140
1.5	85 (22x14)	99	73	99	180
3	126 (32x18)	145	104	145	190
6	161 (40x22)	185	133	185	250
14	105 (28x16)	121	-	-	340
18	122 (32x18)	140	-	-	350
32	160 (40x22)	183	-	-	400
50	160 (40x22)	183	-	-	430
65	-	-	-	-	540
80	-	-	-	-	540
100	-	-	-	-	600

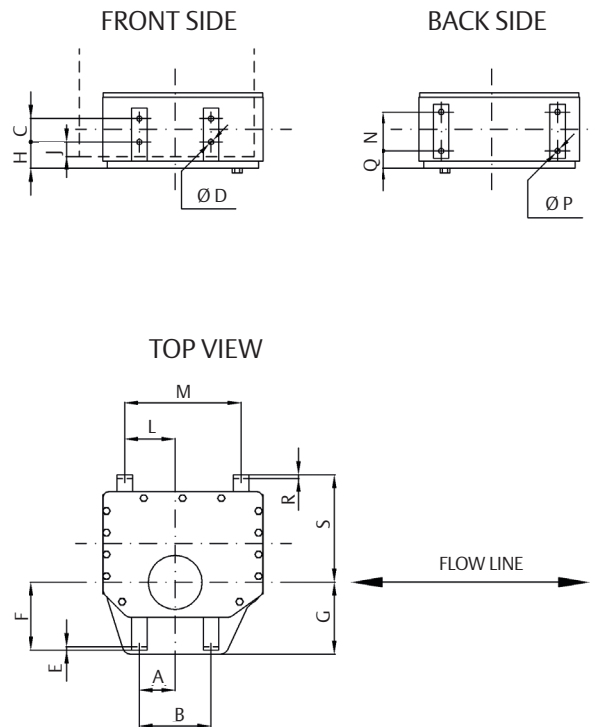
NOTES:

1. The listed maximum acceptance values are applicable for stems with keyways parallel or perpendicular to the flow line and for square stems with diagonal parallel with the flow line.
 2. Key according to UNI6604 or DIN 6885 sh.1 or ISO 773 or equivalent.
 3. For stem with key not correspondent to any specification, check the dimension dx.
- * S max: maximum external diameter in case of rounded edge.
 ** Without adapter flange.

OLGA-H/OLGAS-H/OLGAS-H-QA Hydraulic Actuator

Accessories Mounting Dimensions

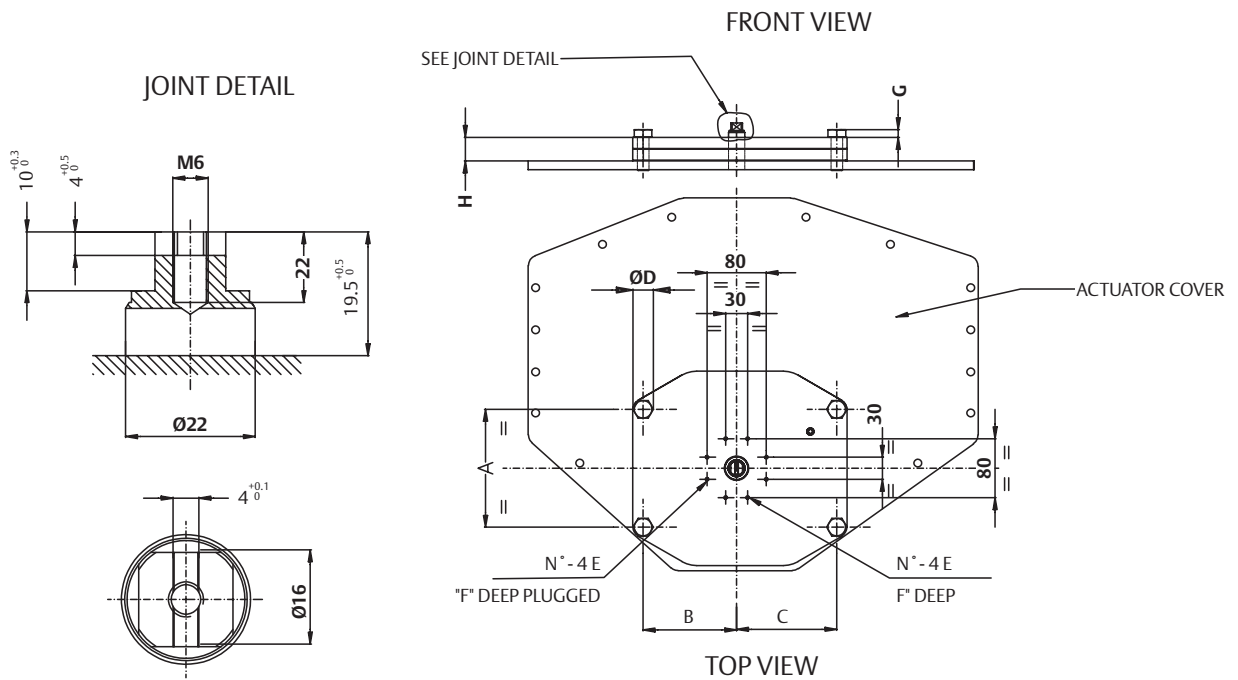
Actuator models 0.3 to 100



Accessories mounting dimensions (mm)

Actuator model	A	B	C	ØD	E	F	G	H	J	L	M	N	ØP	Q	R	S
0.3	77.5	155	60	14	5	113	119	37	12	92	200	60	14	36	5	200
0.9	92.5	185	60	14	5	155	170	61	35	85	200	60	14	48	5	243
1.5	92.5	185	60	14	5	175	185	62	35	130	300	100	14	45	5	284
3	117.5	235	85	23	8	203	215	57	25	230	500	100	14	54	5	371
6	137	455	115	23	8	248	260	59	22	224	500	100	14	87	8	480
14	315	630	200	27	10	227	330	97	55	220	500	170	27	99	8	543
18	315	630	200	27	10	235	340	72	32	306	680	215	27	80	10	600
32	315	630	200	27	10	385	395	72	32	414	890	215	27	149	10	660
50	387.5	860	250	30	12	372	387	77	35	473	1030	215	27	163	10	1072
65	391	860	250	30	15	380	455	107	50	474	1030	215	27	270	15	830
80	500	1000	250	30	15	437.5	450	107	50	500	1100	215	27	270	15	900
100	500	1100	250	30	20	564	600	127	50	500	1100	215	27	333	15	1275

Accessories mounting holes on actuator top (cover and yoke)

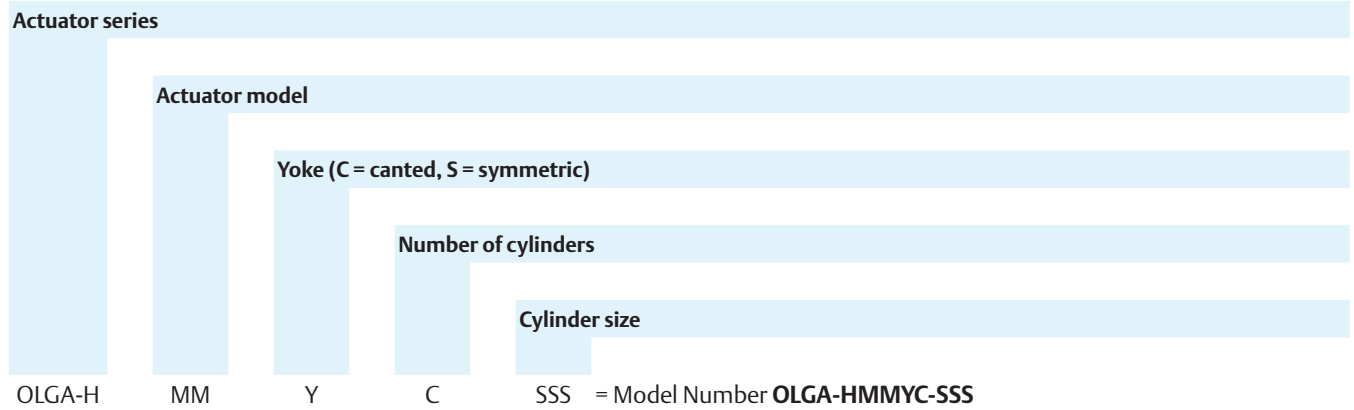


Dimensions (mm)

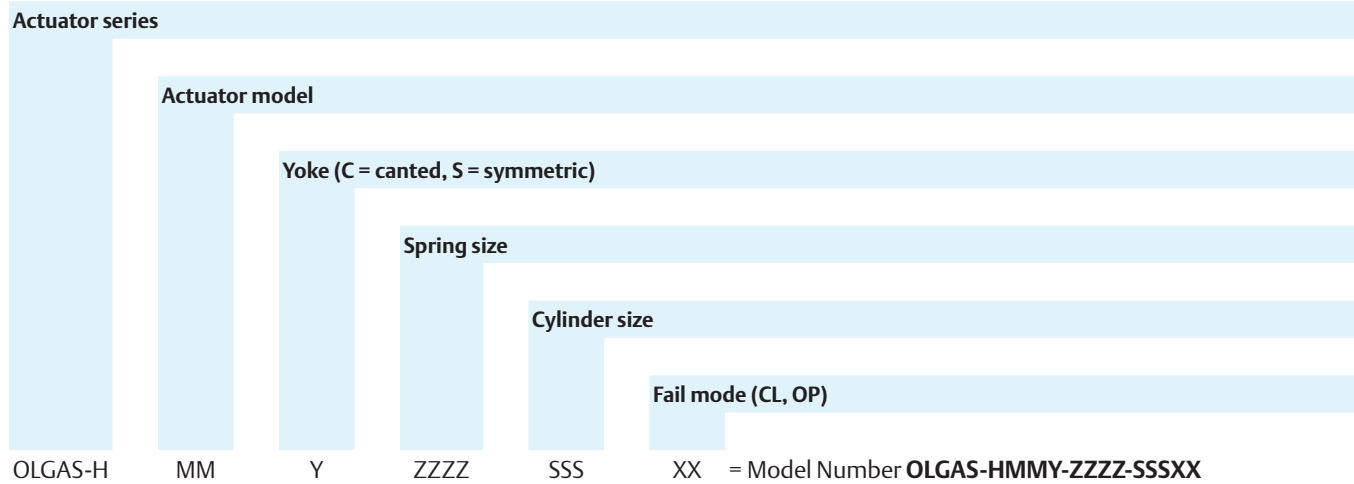
Actuator model	A	B	C	D	E	F	G	H
0.3	N/A	N/A	N/A	N/A	M5	9	N/A	32
0.9	N/A	N/A	N/A	N/A	M5	9	N/A	32
1.5	N/A	N/A	N/A	N/A	M5	9	N/A	32
3	160	127	136	30	M5	9	11	32
6	160	127	136	30	M5	9	11	32
14	160	127	136	30	M5	9	11	32
18	314	109	109	30	M5	9	11	29
32	314	109	109	30	M5	9	11	29
50	280.6	138.5	138.5	37	M5	9	13	32
65	410	180	180	44	M5	9	16	32
80	410	180	180	44	M5	9	16	32
100	460	205	205	44	M5	9	16	32

OLGA-H/OLGAS-H/OLGAS-H-QA Hydraulic Actuator Selection Guide

Scotch Yoke Double-Acting Pneumatic Actuators



Scotch Yoke Single Acting Pneumatic Actuators



Biffi Italia s.r.l.
Strada Biffi 165
29017 Fiorenzuola d'Arda (PC)
Italy
T +39 0523 944 411

For complete list of sales and manufacturing sites, please visit
www.biffi.it or contact us at biffi_italia@biffi.it

VCTDS-02952-EN ©2023 Biffi. All rights reserved.

The contents of this publication are presented for information purposes only, and while every effort has been made to ensure their accuracy, they are not to be construed as warranties or guarantees, express or implied, regarding the products or services described herein or their use or applicability. All sales are governed by our terms and conditions, which are available on request. We reserve the right to modify or improve the designs or specifications of our products at any time without notice.

